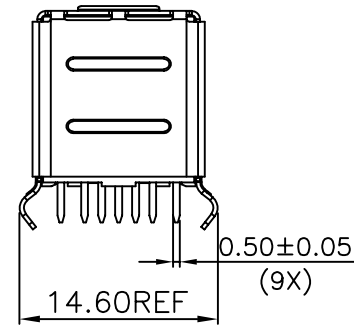
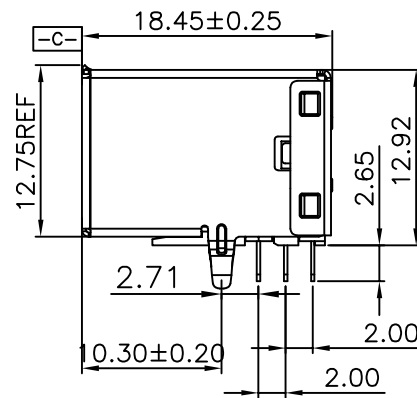
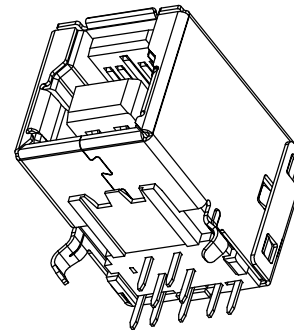
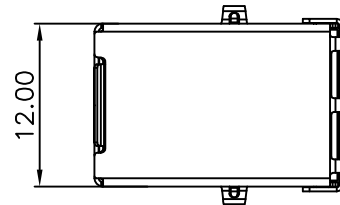
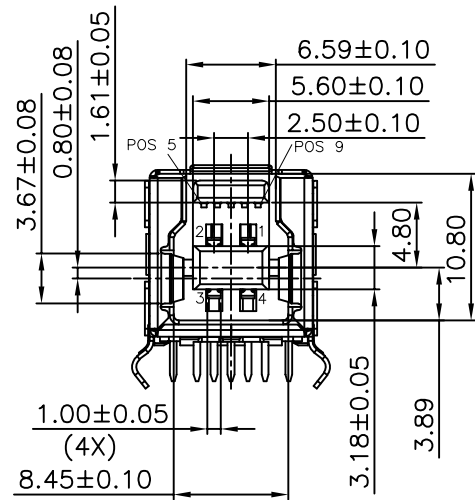


| | | |
|------|-------------|------------|
| REV. | ECN.NO. | APPD. |
| A | EXXXXXXXXXX | chenyiting |



Remark:

1.MATERIAL:

1.1 Housing:thermoplastic plastics.

1.2 terminals:Copper Alloy

1.3 Shell:SUS304

2.characteristics:

2.1 Rating Voltage : 30V AC.

2.2 Rating Current:PIN1&PIN4

(Vbus&Correponding ground PIN)

1.8A MAX Other PINS 0.25A min.

2.3 Contact Resistance:PIN1&PIN4:30 mΩ MAX.

Other PINS: 50 mΩ

2.4 Insulation Resistance:100 MΩ MIN.

2.5 Withstanding Voltage:AC 100V between adjacent contacts

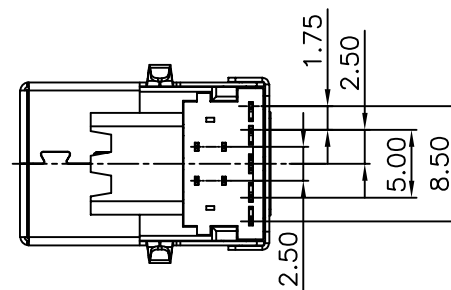
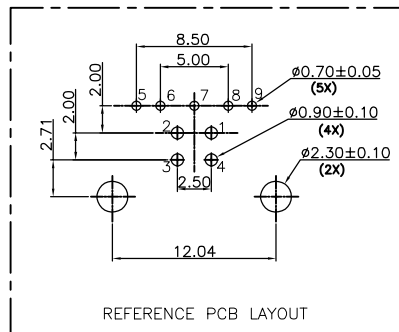
2.6 Mating force: 3.57Kgf MAX(35N MAX)

2.7 Extraction force:1.02Kgf Min(10N Min)

2.8 Life test:10000Cycles MIN.

2.9 Temperature Range: -30℃~+85℃.

| | |
|-----|-------------|
| 1 | VBUS |
| 2 | D- |
| 3 | D+ |
| 4 | GND |
| 5 | StdB_SSRX- |
| 6 | StdB_SSRX+ |
| 7 | GND_DRAIN |
| 8 | StdB_SSTX- |
| 9 | StdB_SSTX+ |
| PIN | SIGNAL NAME |



| | |
|--------------------------------------|----------|
| TOLERANCE UNLESS OTHERWISE SPECIFIED | |
| .XXX ±0.10 | .X' ±3' |
| .XX ±0.20 | .XX' ±2' |
| .X ±0.30 | |

深圳市虹成电子有限公司

| | | | | | | |
|----------|------------|-------------|--------------------|-------|-------|------|
| APPROVED | | PART NAME: | USB 3.0 BF 90度 | | | |
| CHECKED | | PART No: | HC-USB3.0-L1845-BF | C | A | |
| DRAWN | chenyiting | PROJECTION: | UNIT: | SCALE | SHEET | REV. |
| DATE | 2023.04.25 | | mm | 1:1 | 10F1 | A |