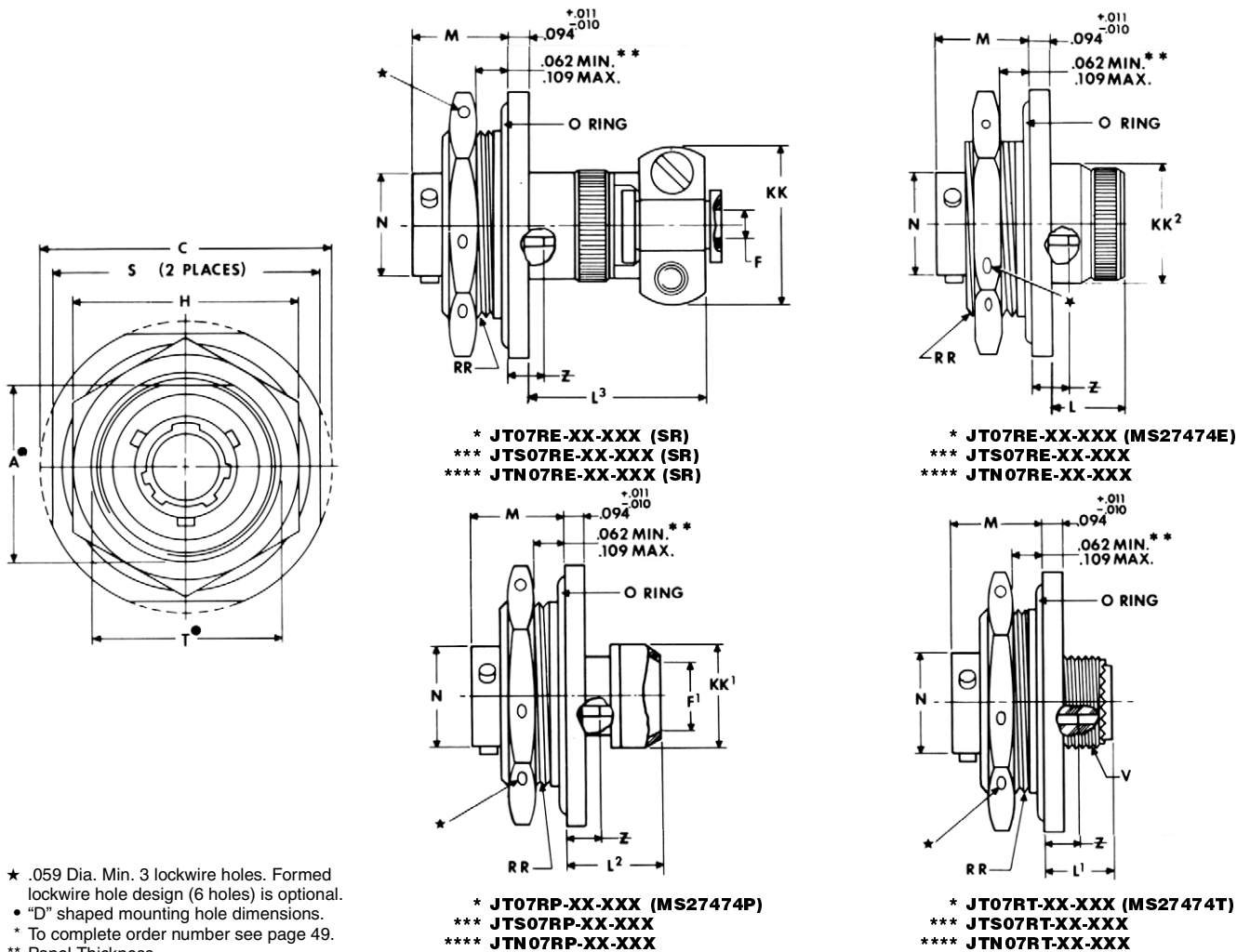


JT07R (MS27474) — crimp jam nut receptacle



★ .059 Dia. Min. 3 lockwire holes. Formed lockwire hole design (6 holes) is optional.
 • “D” shaped mounting hole dimensions.
 * To complete order number see page 49.
 ** Panel Thickness
 *** High temperature version; to complete order number see page 49.
 **** Clear iridite finish (gold color), N₂O₄ resistant; to complete order number see page 49.

Shell Size	A* +.000 -.010	C Max.	F Dia. +.010 -.025	F ¹ Dia.	H Hex +.017 -.016	L Max.	L ¹ Max.	L ² Max.	L ³ Max.	M ±.005	N +.001 -.005	S ±.016	T* +.010 -.000	V Thread UNEF Class 2A	Z ±.031	KK Max.	KK ¹ Dia. Max.	KK ² Dia. Max.	RR Thread (Plated) Class 2A
8	.830	1.390	.125	.444	1.062	.484	.453	.563	1.047	.438	.473	1.250	.884	.4375-28	.144	.812	.625	.578	.8750-20UNEF
10	.955	1.515	.188	.558	1.188	.484	.453	.563	1.047	.438	.590	1.375	1.007	.5625-24	.144	.875	.750	.703	1.0000-20UNEF
12	1.084	1.640	.312	.683	1.312	.484	.453	.563	1.047	.438	.750	1.500	1.134	.6875-24	.144	1.000	.875	.828	1.1250-18UNEF
14	1.208	1.765	.375	.808	1.438	.484	.453	.563	1.297	.438	.875	1.625	1.259	.8125-20	.144	1.125	1.000	.953	1.2500-18UNEF
16	1.333	1.953	.500	.909	1.562	.484	.453	.563	1.297	.438	1.000	1.781	1.384	.9375-20	.144	1.188	1.125	1.078	1.3750-18UNEF
18	1.459	2.031	.625	1.034	1.688	.484	.453	.563	1.297	.438	1.125	1.890	1.507	1.0625-18	.144	1.438	1.250	1.203	1.5000-18UNEF
20	1.576	2.156	.625	1.159	1.812	.453	.422	.531	1.266	.464	1.250	2.016	1.634	1.1875-18	.188	1.438	1.375	1.328	1.6250-18UNEF
22	1.701	2.280	.750	1.284	2.000	.453	.422	.531	1.391	.464	1.375	2.140	1.759	1.3125-18	.188	1.625	1.500	1.453	1.7500-18UNS
24	1.826	2.405	.800	1.409	2.125	.375	.422	.609	1.391	.464	1.500	2.265	1.884	1.4375-18	.188	1.719	1.625	1.578	1.8750-16UN

All dimensions for reference only.

Mouser Electronics

Authorized Distributor

Click to View Pricing, Inventory, Delivery & Lifecycle Information:

Amphenol:

[MS27474E14A37S](#) [MS27474E16A35SD](#) [MS27474E16A99P](#) [MS27474P14A15P](#) [MS27474P14A35PA](#)
[MS27474P14A35SA](#) [MS27474P16A35SD](#) [MS27474P22A35S](#) [MS27474P22A35PC](#) [MS27474E8B6P](#)
[MS27474E12B3S](#) [MS27474E12B4S](#) [MS27474E12B8P](#) [MS27474E12B8S](#) [MS27474E12B35PA](#) [MS27474E12B35SA](#)
[MS27474E12B98S](#) [MS27474E14B97P](#) [MS27474E14B97S](#) [MS27474E16B26PB](#) [MS27474E16B55SA](#)
[MS27474E18B53P](#) [MS27474E18B66P](#) [MS27474E18B96S](#) [MS27474E20B2SA](#) [MS27474E20B16S](#)
[MS27474E20B39P](#) [MS27474E20B39S](#) [MS27474P8B6P](#) [MS27474P10B35PA](#) [MS27474P10B35S](#) [MS27474P10B98P](#)
[MS27474P10B99PA](#) [MS27474P10B99P](#) [MS27474P12B4P](#) [MS27474P12B35SA](#) [MS27474P12B35P](#)
[MS27474P16B35P](#) [MS27474P18B35P](#) [MS27474P20B35S](#) [MS27474P22B2P](#) [MS27474T10B35PB](#)
[MS27474T10B35PC](#) [MS27474T12B4SA](#) [MS27474T12B4S](#) [MS27474T14B15PC](#) [MS27474T16B6PB](#)
[MS27474T16B6SB](#) [MS27474T16B26SB](#) [MS27474T16B35SB](#) [MS27474T20B16S](#) [MS27474T20B35P](#)
[MS27474T20B39PA](#) [MS27474T20B39P](#) [MS27474T20B41PD](#) [MS27474T24B24PA](#) [MS27474T24B24P](#)
[MS27474T24B29PC](#) [MS27474T24B35SC](#) [MS27474E12F4S](#) [MS27474E12F98SB](#) [MS27474E12F98SC](#)
[MS27474E12F98SD](#) [MS27474E14F18SA](#) [MS27474E16F6SA](#) [MS27474E16F99P](#) [MS27474E18F35SB](#)
[MS27474E20F16PA](#) [MS27474E20F41PC](#) [MS27474E24F35SD](#) [MS27474T10F98PA](#) [MS27474T12F3PC](#)
[MS27474T12F4PB](#) [MS27474T12F4S](#) [MS27474T12F4PC](#) [MS27474T12F8PC](#) [MS27474T14F15SD](#)
[MS27474T14F97PA](#) [MS27474T16F6PA](#) [MS27474T16F26SA](#) [MS27474T16F26SB](#) [MS27474T18F11PA](#)
[MS27474T18F28PA](#) [MS27474T18F32PB](#) [MS27474T18F32SB](#) [MS27474T18F35PA](#) [MS27474T18F35PB](#)
[MS27474T18F35SB](#) [MS27474T20F16PA](#) [MS27474T20F16S](#) [MS27474T20F35PC](#) [MS27474T20F35PD](#)
[MS27474T20F41PA](#) [MS27474T24F35SD](#) [MS27474T24F61PA](#) [MS27474P8F35SD](#) [MS27474P10F35SA](#)
[MS27474P10F35S](#) [MS27474P18F35SA](#) [MS27474P18F35P](#)