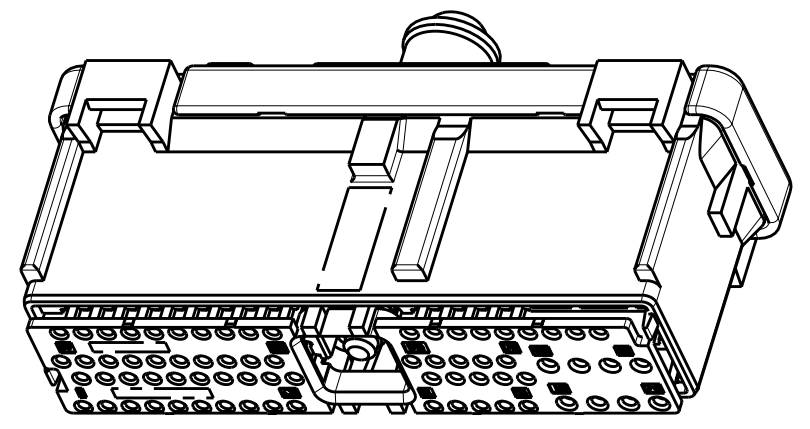
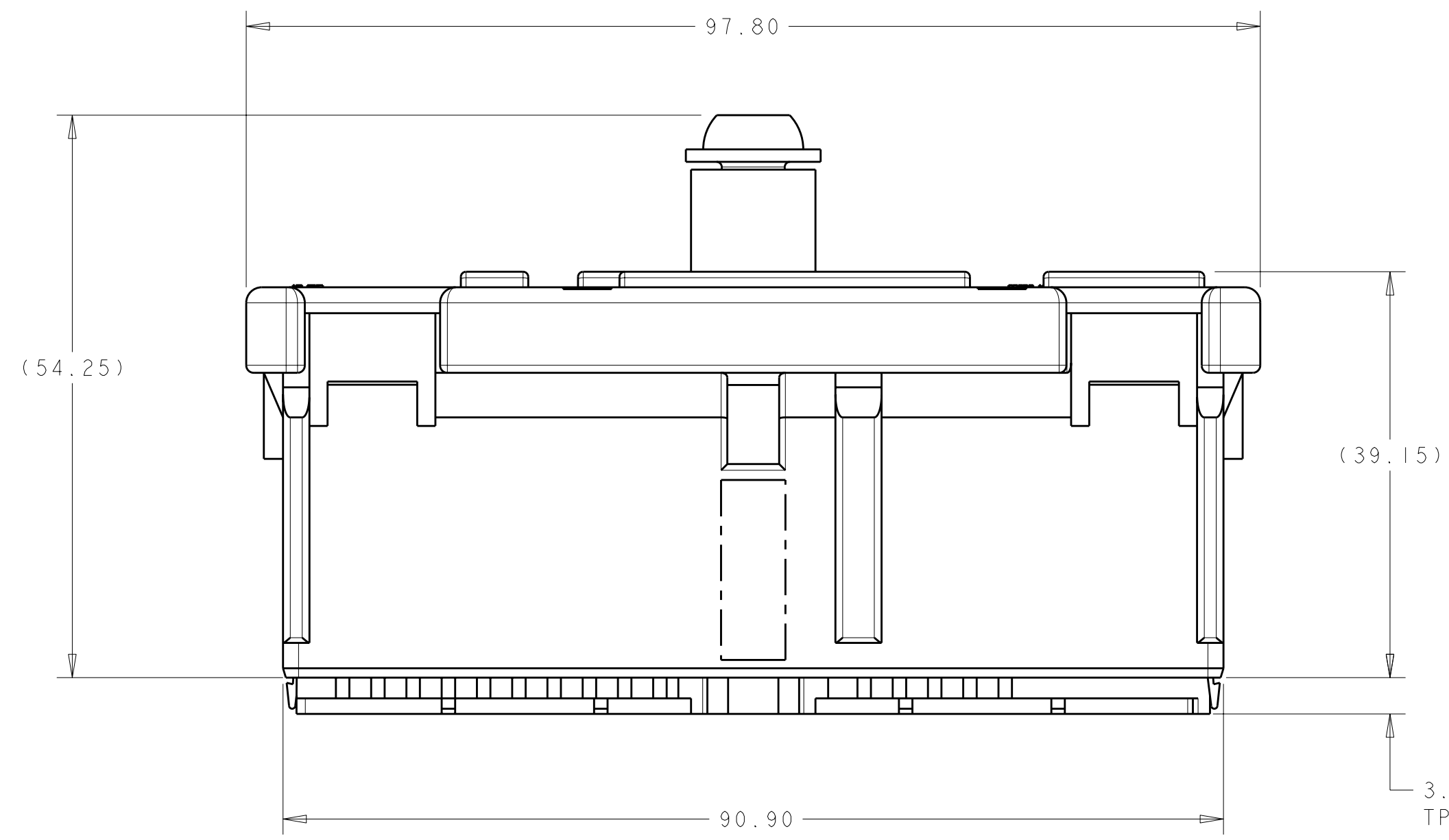


THIS DRAWING IS UNPUBLISHED. RELEASED FOR PUBLICATION
 © COPYRIGHT copyright_date BY TYCO ELECTRONICS CORPORATION. ALL RIGHTS RESERVED.

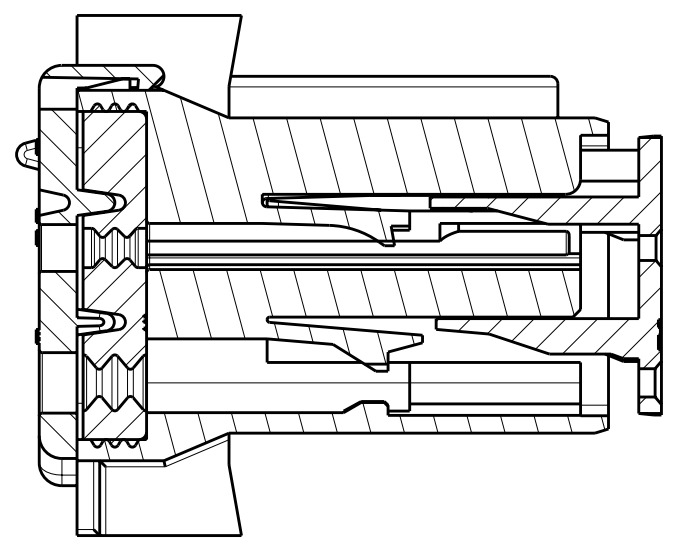
LOC	DIST	REVISIONS				
P	LTR	DESCRIPTION	DATE	DWN	APVD	
GE	00					
01		ADD DDC P/N; EC 0K40-0411-03	27MAY2003	RG	RG	
A		REVISED PER EC 0K40-0645-03	10DEC2003	DLD	LBP	
B		REVISED PER ECO-08-015328	25JUN2008	AH	MT	



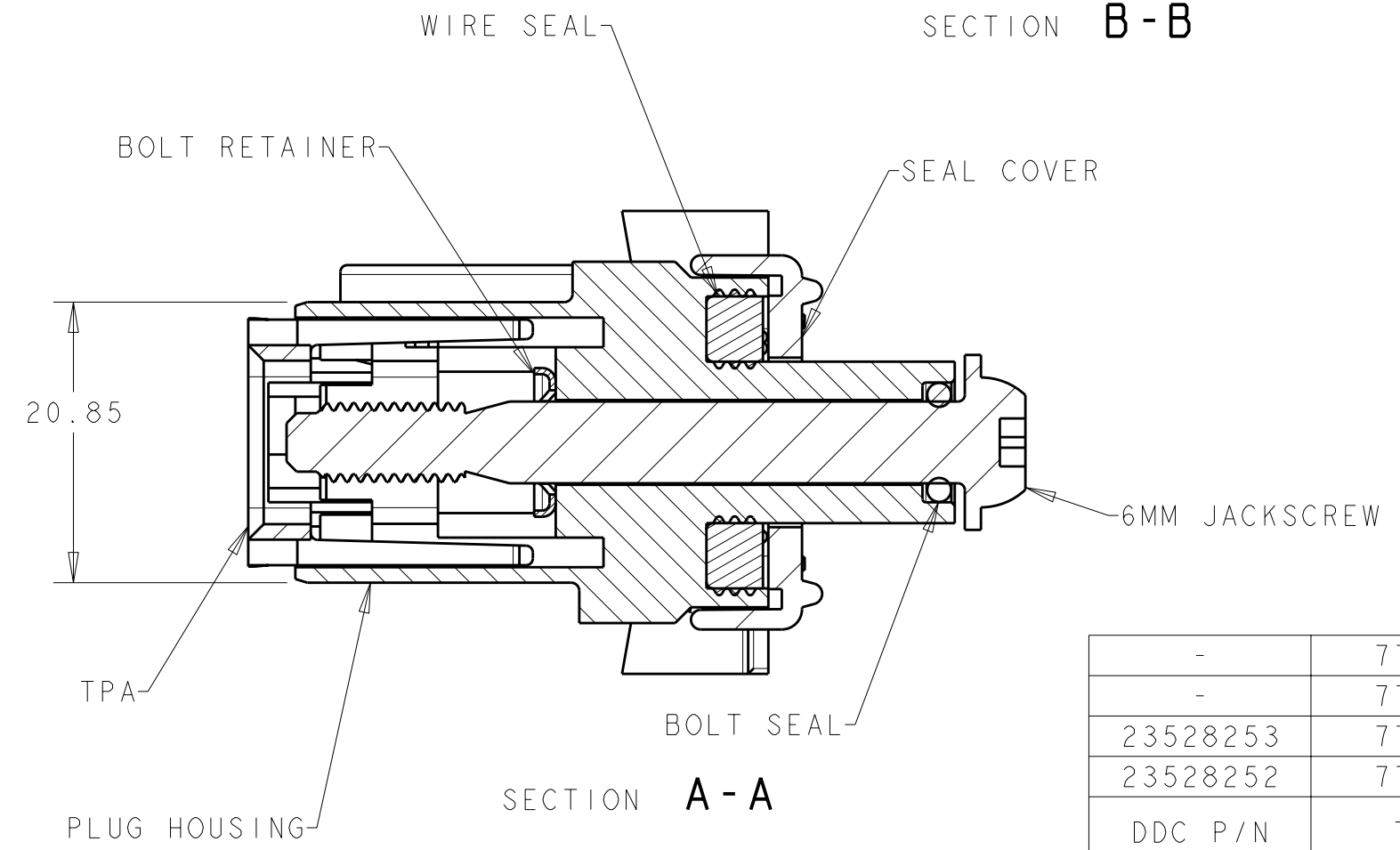
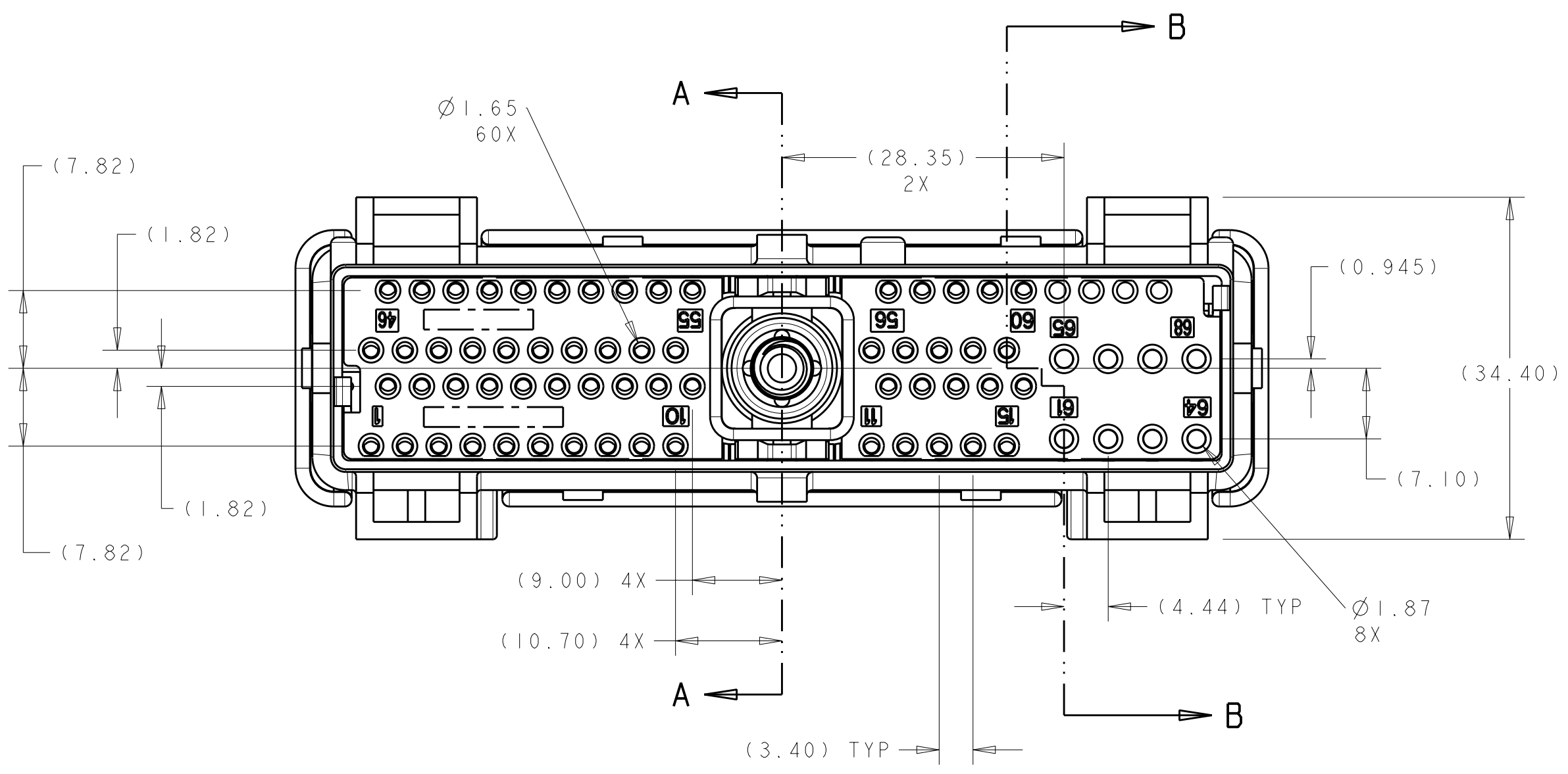
SCALE 1:1

1 MATERIAL:
 HOUSING & SEAL COVER - PA 66 NYLON, GLASS FILLED, COLOR - BLACK
 TPA - GLASS-FILLED PBT COLOR - RED
 WIRE SEAL - SILICONE COLOR - BLUE
 BOLT SEAL - SILICONE COLOR - BRICK RED
 JACKSCREW - ALLOY STEEL
 BOLT RETAINER - STEEL

- 2 "V" - VEHICLE CONNECTOR
"E" - ENGINE CONNECTOR
- 3 SEE SHEET 2 FOR ORIENTATION FEATURES.
- 4 SEE KEYING OPTIONS TABLE FOR CORRECT TEXT ON PRODUCT.
- 5 KEYING LOCATIONS.



SECTION B-B



SECTION A-A

DDC P/N	TE P/N	KEYING
-	776315-4	E
-	776315-3	V
23528253	776315-2	E
23528252	776315-1	V
DDC P/N	TE P/N	4 2

KEYING OPTIONS

THIS DRAWING IS A CONTROLLED DOCUMENT FOR TYCO ELECTRONICS CORPORATION IT IS SUBJECT TO CHANGE AND THE CONTROLLING ENGINEERING ORGANIZATION SHOULD BE CONTACTED FOR THE LATEST REVISION.		DWN R GREINER 110CT01 CHK R GREINER 110CT01 APVD R GREINER 110CT01	AMP Incorporated Harrisburg, PA 17105-3608
DIMENSIONS: mm 	TOLERANCES UNLESS OTHERWISE SPECIFIED: 0 PLC ± 1 PLC ±0.3 2 PLC ±0.10 3 PLC ±0.013 4 PLC ±0.0001 ANGLES ± FINISH	PRODUCT SPEC 108-1945 APPLICATION SPEC 114-13053 WEIGHT -	NAME ASSEMBLY, HYBRID PLUG, SEALED, 68 POSITION, COMMERCIAL HEAVY DUTY SIZE A2 CAGE CODE 00779 DRAWING NO 776315 RESTRICTED TO - SCALE 2:1 SHEET 1 OF 2 REV B
MATERIAL 1 -		CUSTOMER DRAWING	

776315

B

A

THIS DRAWING IS UNPUBLISHED. RELEASED FOR PUBLICATION
 © COPYRIGHT copyright_date BY TYCO ELECTRONICS CORPORATION. ALL RIGHTS RESERVED.

LOC	DIST	REVISIONS					
GE	00	P	LTR	DESCRIPTION	DATE	DWN	APVD
		-		SEE SHEET 1			

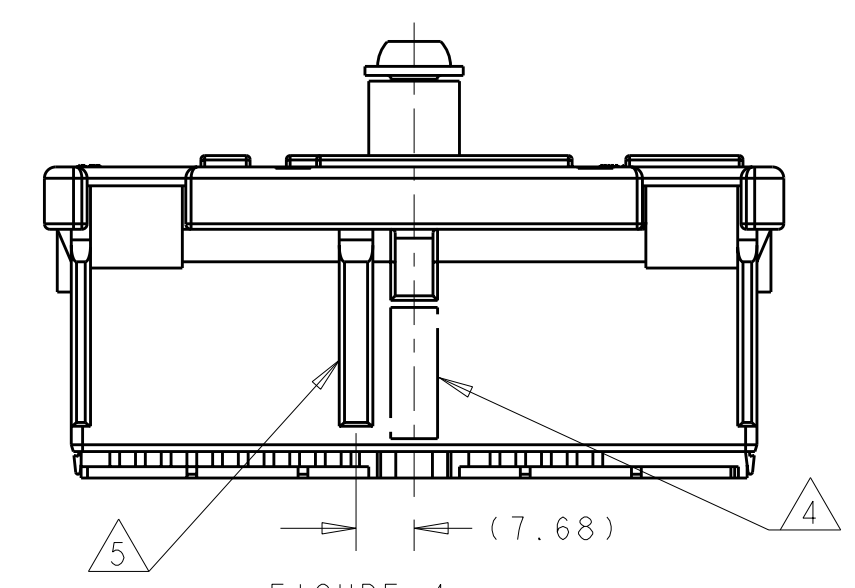
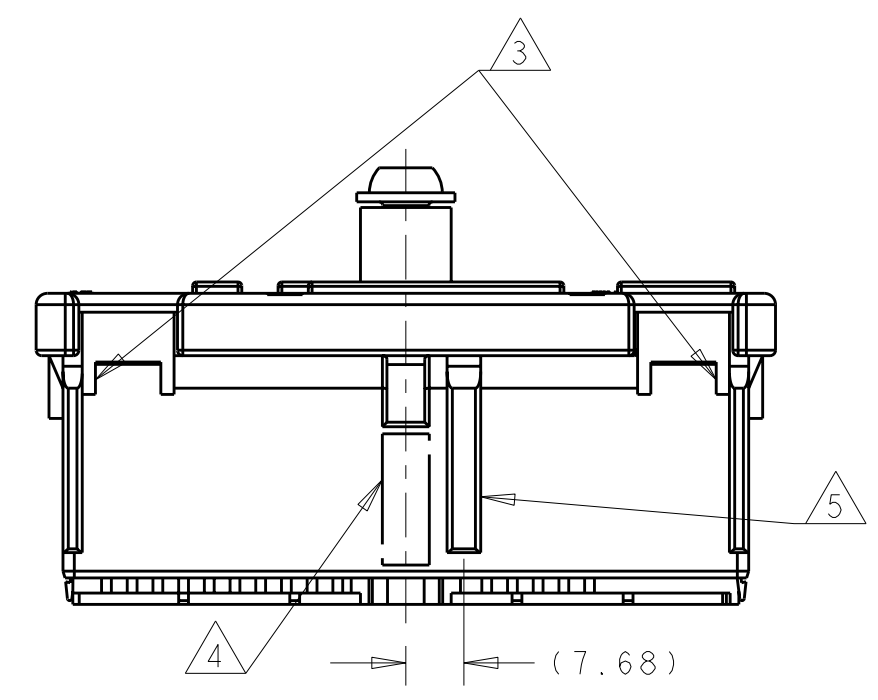
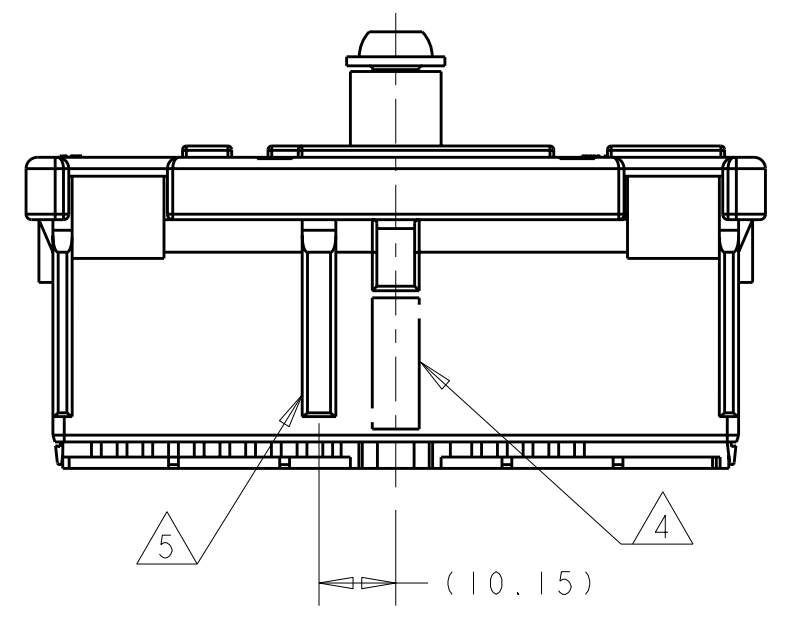
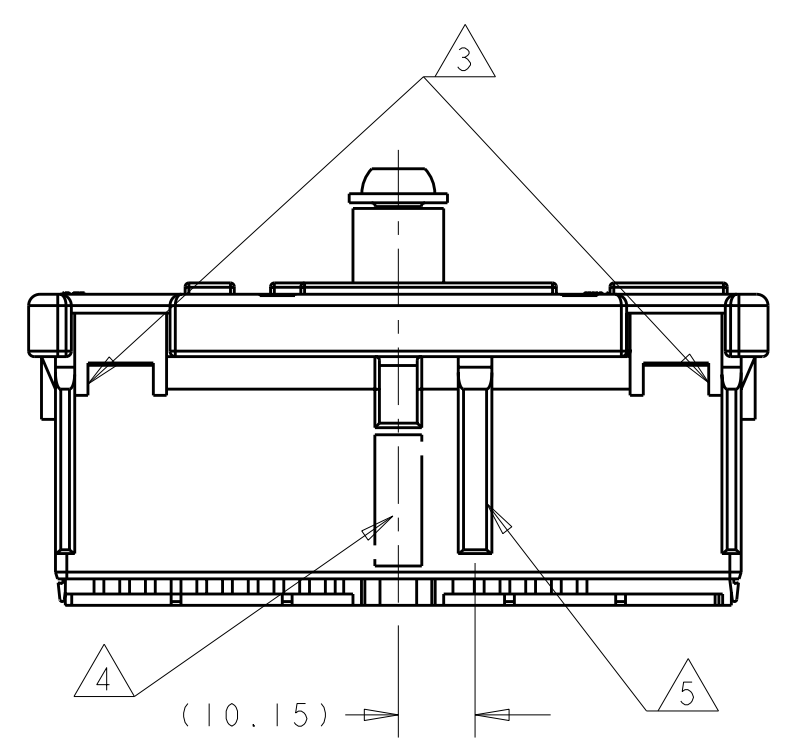
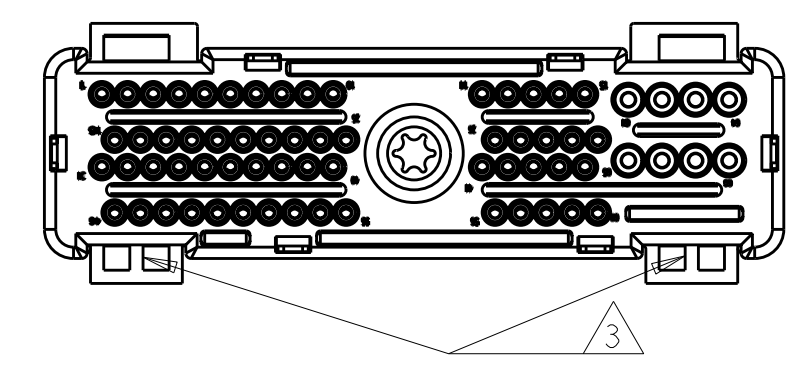
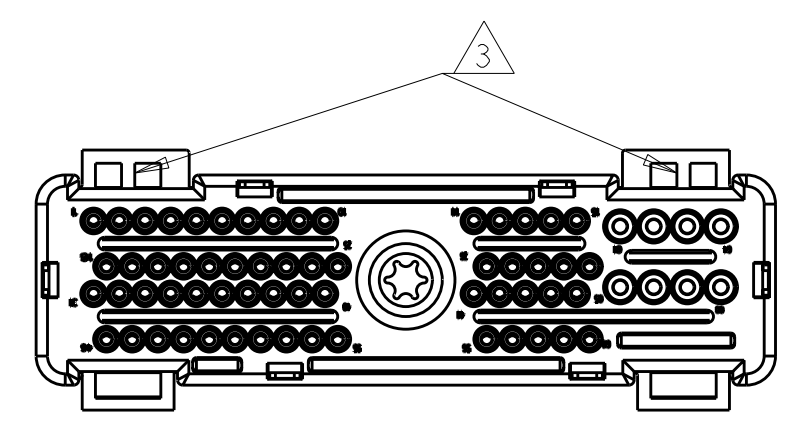
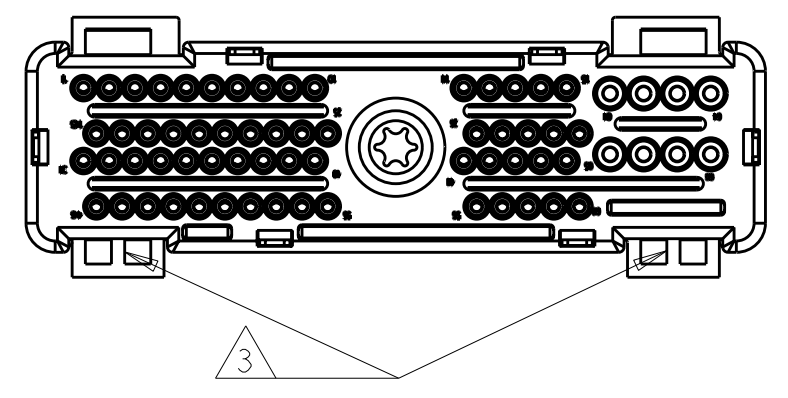
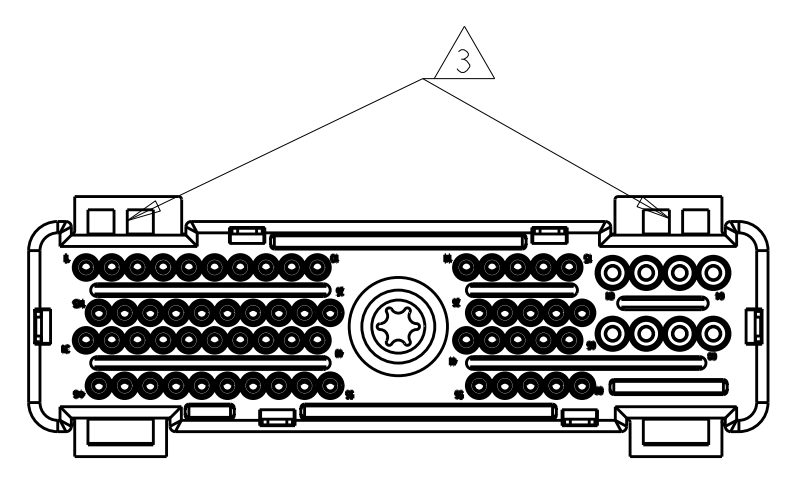
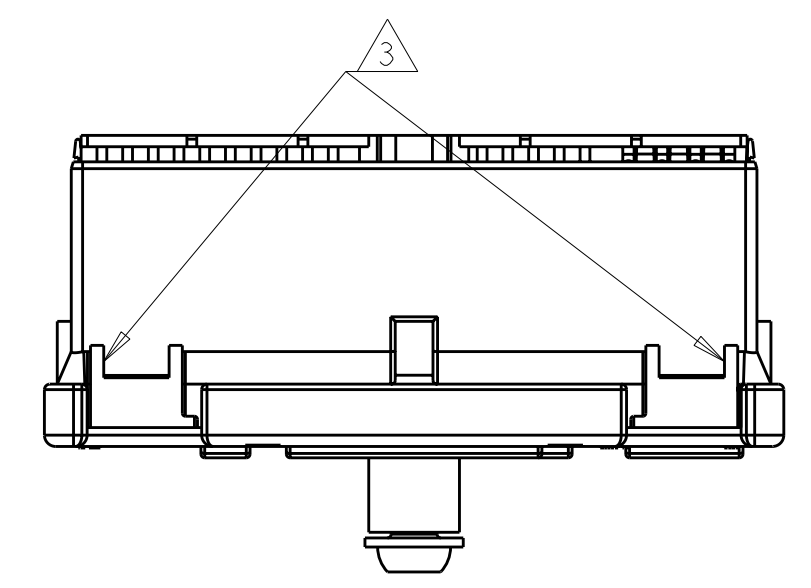
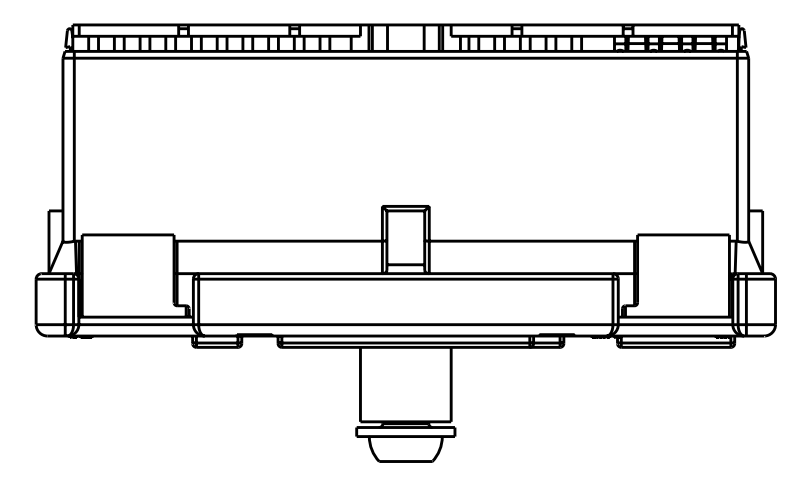
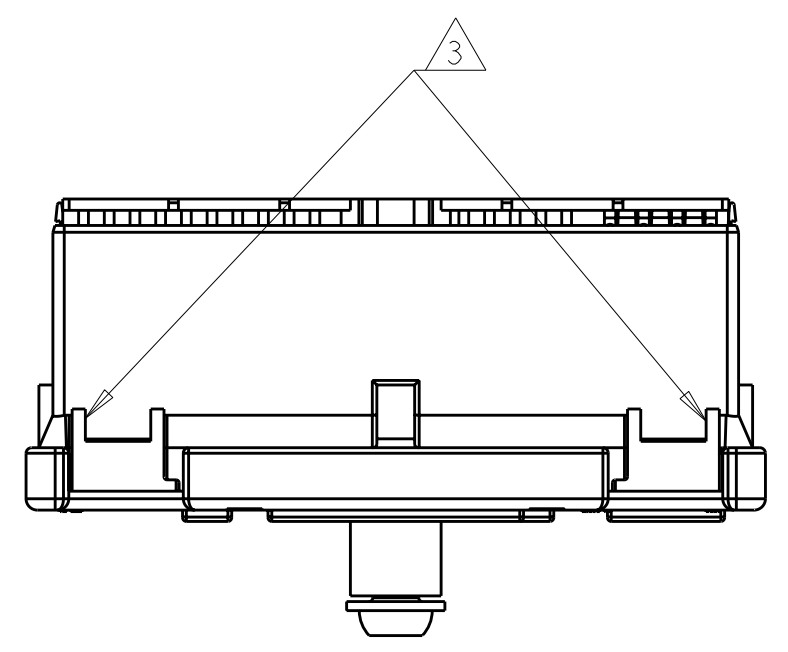
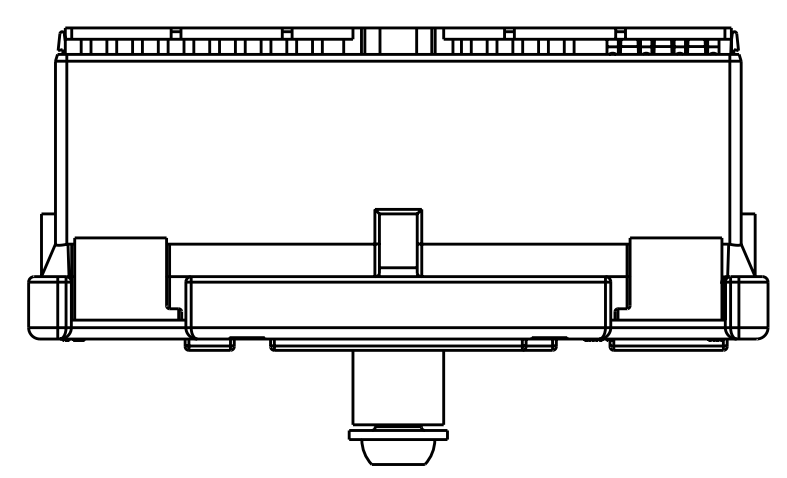


FIGURE 1
776315-1

FIGURE 2
776315-2

FIGURE 3
776315-3

FIGURE 4
776315-4

<small>THIS DRAWING IS A CONTROLLED DOCUMENT FOR TYCO ELECTRONICS CORPORATION IT IS SUBJECT TO CHANGE AND THE CONTROLLING ENGINEERING ORGANIZATION SHOULD BE CONTACTED FOR THE LATEST REVISION.</small>		DWN R. GREINER 110CT01	AMP Incorporated Harrisburg, PA 17105-3608
DIMENSIONS: mm		CHK R. GREINER 110CT01	
		APVD R. GREINER 110CT01	
TOLERANCES UNLESS OTHERWISE SPECIFIED: 0 PLC ±- 1 PLC ±0.3 2 PLC ±0.10 3 PLC ±0.013 4 PLC ±0.0001 ANGLES ±- FINISH ±-		PRODUCT SPEC - APPLICATION SPEC - WEIGHT -	
MATERIAL -		NAME ASSEMBLY, HYBRID PLUG, SEALED, 68 POSITION, COMMERCIAL HEAVY DUTY	SIZE A2
		CAGE CODE 00779	DRAWING NO 776315
		RESTRICTED TO -	SCALE 2:1
		CUSTOMER DRAWING	SHEET 2 OF 2 REV B