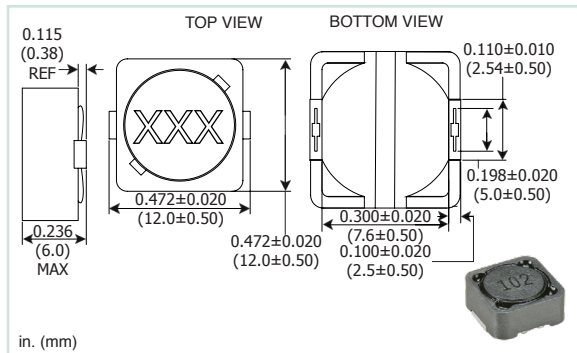


## GP3125LF

Shielded Inductor



PART NUMBER	L $\mu$ H	TEST FREQ kHz	DCR $\Omega$ MAX	CURRENT RATING A DC MAX
<b>FERRITE CORE/FERRITE SLEEVE</b>				
GP3125-2R2MLF	2.2	100	0.020	7.0
GP3125-3R3MLF	3.3	100	0.030	5.5
GP3125-4R7MLF	4.7	100	0.040	5.0
GP3125-6R8MLF	6.8	100	0.050	4.5
GP3125-100MLF	10	100	0.055	4.0
GP3125-120MLF	12	1	0.060	3.5
GP3125-150MLF	15	1	0.065	3.3
GP3125-180MLF	18	1	0.070	3.0
GP3125-220MLF	22	1	0.075	2.8
GP3125-270MLF	27	1	0.085	2.3
GP3125-330MLF	33	1	0.095	2.1
GP3125-390MLF	39	1	0.105	2.0
GP3125-470MLF	47	1	0.115	1.8
GP3125-560MLF	56	1	0.135	1.6
GP3125-680MLF	68	1	0.170	1.5
GP3125-820MLF	82	1	0.190	1.4
GP3125-101MLF	100	1	0.210	1.3
GP3125-121MLF	120	1	0.250	1.1
GP3125-151MLF	150	1	0.300	1.0
GP3125-181MLF	180	1	0.350	0.90
GP3125-221MLF	220	1	0.420	0.80
GP3125-271MLF	270	1	0.510	0.75
GP3125-331MLF	330	1	0.600	0.70
GP3125-391MLF	390	1	0.750	0.65
GP3125-471MLF	470	1	0.820	0.60
GP3125-561MLF	560	1	1.00	0.55
GP3125-681MLF	680	1	1.30	0.50
GP3125-821MLF	820	1	1.65	0.45
GP3125-102MLF	1000	1	2.00	0.40

**NOTES:**

- **Operating Temperature Range:**  
-55°C to +125°C
- **Current Rating** is based on a 40°C maximum temperature rise, 10% maximum decrease in inductance, at an ambient temperature of 25°C
- **Weight Max:** 0.85 grams
- **Marking:** XXX (dash number)  
1R2
- Terminals are solderable - more than 95% new solder coverage when subjected to soldering temperature
- Application Frequency Range:  
To 1.0 MHz MIN (for L values 1.2  $\mu$ H - 10  $\mu$ H)  
To 300 kHz MIN (for L values > 10  $\mu$ H)
- When ordering, specify **tolerance & termination:**  
GP3125-2R2MLF  
**Tolerance:** M = 20%  
(Table shows lowest standard tolerance option)  
**Termination:** LF = RoHS compliant tin-silver copper over copper
- Custom designs are available to meet your specific requirements; please contact factory

**TAPE AND REEL SPECS:**

Pcs./Reel maximum:	500
Pitch between parts:	16 mm
Tape width:	24 mm
Reel diameter:	13 in.