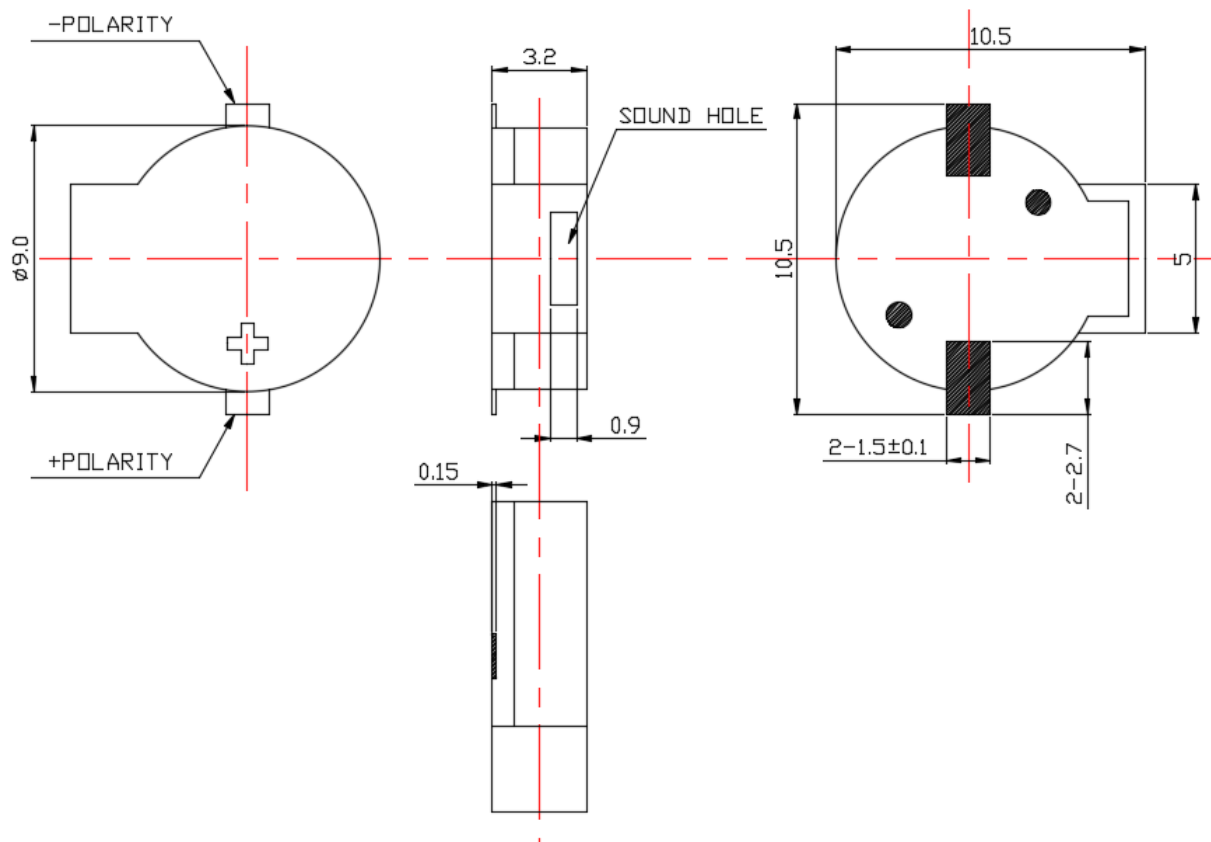


**May not be suitable for all Medical and Aerospace applications.  
Contact Mallory Sonalert to discuss your application.**

**NO CIRCUITRY**

Oscillation Frequency (Hz)	2730
Operating Voltage (Vp-p)	4.0 – 6.0
Rated Voltage (Vp-p)	5.0
Current Consumption Max. (mA)	90 at Rated Voltage
Sound Pressure Level (dB/min)	85 at 10cm at Rated Voltage
Coil Resistance ( $\Omega$ )	$32 \pm 4$
Operating Temperature ( $^{\circ}\text{C}$ )	$-30 \sim +70$
Storage Temperature ( $^{\circ}\text{C}$ )	$-40 \sim +85$
Housing	LCP plastic resin (Color: Black)
Weight (Grams)	0.8
Condition by wave soldering ( $^{\circ}\text{C}$ )	$250 \pm 5$ / within 5 sec
Condition by hand soldering ( $^{\circ}\text{C}$ )	$350 \pm 20$ / within 5 sec
Options	For other options contact factory

**Dimensions:** (units: mm)      **TOL:**  $\pm 0.5$       **PS:** Vp-p = 1/2duty, square wave      **RoHS Compliant**



# Mouser Electronics

Authorized Distributor

Click to View Pricing, Inventory, Delivery & Lifecycle Information:

[Mallory Sonalert:](#)

[AST0927MW-05Q](#)