

## PCB plug-in socket, 6 contacts (2 NC, lamp socket)

### 5.05.510.647/0000

For soldering onto PCBs. Additional fixing of the PCBs is not required. Solder terminals for PCB 3.5 mm long, for 1.3 mm hole.

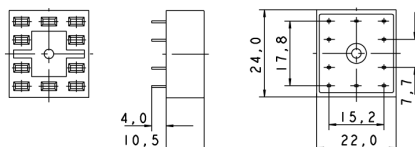
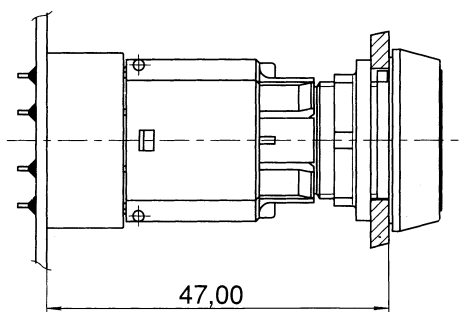


#### Dimensions

Size not mounted	22 mm
Length	22 mm
Width	24 mm
Height	10.5/14.5 mm
Mounting depth	47 mm
Mounting depth	47 mm

#### Other specifications

Contacts	6
Contact arrangement	2 NC, lamp socket
Shock resistance acc. to IEC 60068-2-27	amplitude < 50g, 11ms, half sinusoidal
Ambient temp. operating min.	-25 °C
Ambient temp. operating max. with lamp /LED	+55 °C
Storage temperature min.	-40 °C
Storage temperature max.	+85 °C
Environmental resistance	acc. to IEC 60068-2-14, -30, -33 and -78
Hot wire ignition acc. to IEC 60695-2-1	yes
Resistance to vibrations acc. to IEC 60068-2-6	10 g at 20 ... 500 Hz
ROHS compliant	yes
REACH compliant	yes



# Mouser Electronics

Authorized Distributor

Click to View Pricing, Inventory, Delivery & Lifecycle Information:

RAFI:

[5.05.510.647/0000](#)