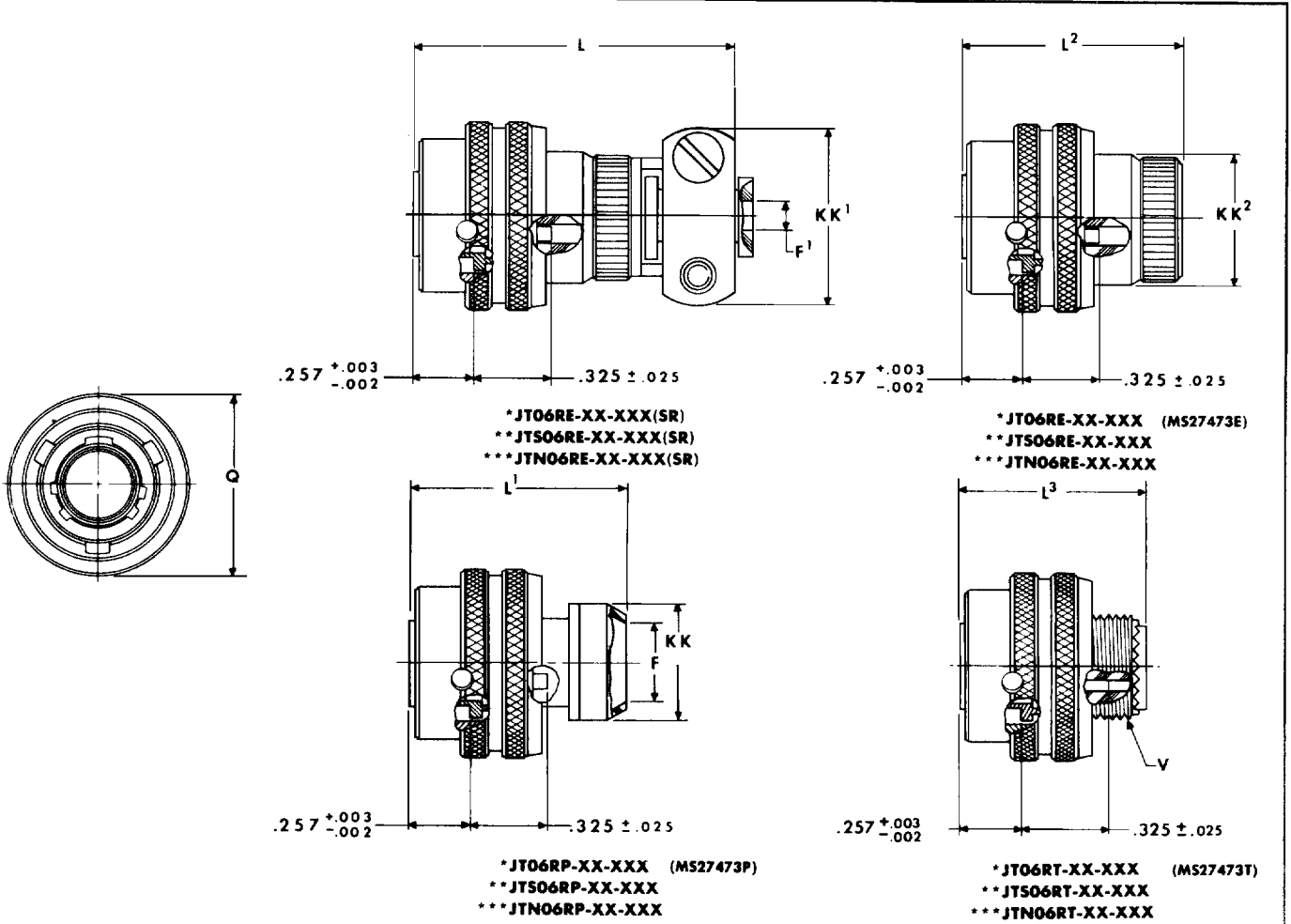


JT06R (MS27473) — crimp straight plug



* To complete order number see page 47.
 ** High temperature version, to complete order number see page 47.
 *** Clear iridite finish (gold color), N₂O₄ resistant, to complete order number see page 47.

Shell Size	KK Dia. Max.	KK ¹ Max.	KK ² Max.	F Dia.	F ¹ Dia. +.010 - .025	L Max.	L ¹ Max.	L ² Max.	L ³ Max.	Q Dia. Max.	V Thread Modified	
											Class 2A	Modified Major Dia.
8	.625	.812	.578	.444	.125	1.562	1.000	.938	.891	.734	.4375-28UNEF	.421- .417
10	.750	.875	.703	.558	.188	1.562	1.000	.938	.891	.844	.5625-24UNEF	.542- .538
12	.875	1.000	.828	.683	.312	1.562	1.000	.938	.891	1.016	.6875-24UNEF	.667- .663
14	1.000	1.125	.953	.808	.375	1.812	1.000	.938	.891	1.141	.8125-20UNEF	.791- .787
16	1.125	1.188	1.078	.909	.500	1.812	1.000	.938	.891	1.265	.9375-20UNEF	.916- .912
18	1.250	1.438	1.203	1.034	.625	1.812	1.000	.938	.891	1.391	1.0625-18UNEF	1.034-1.030
20	1.375	1.438	1.328	1.159	.625	1.812	1.000	.938	.891	1.500	1.1875-18UNEF	1.158-1.154
22	1.500	1.625	1.453	1.284	.750	1.938	1.000	.938	.891	1.625	1.3125-18UNEF	1.283-1.279
24	1.625	1.719	1.578	1.409	.800	1.938	1.062	.938	.891	1.750	1.4375-18UNEF	1.408-1.404

All dimensions for reference only.