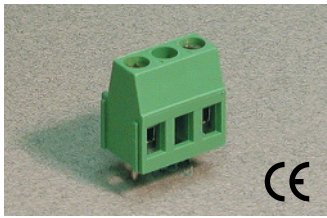




10.16mm Pin Spacing – Fixed PCB Blocks

Pin Spacing: 10.16mm
 Orientation: Vertical
 Clamp Type: Screw Cage
 Design: Modular



MVB-25xx

ELECTRICAL

| | Current | Voltage | Wire Range |
|---|------------------|---------|---|
|  | 15A ^① | 300V | 30-14AWG |
|  | 16A | 750V | 2.5mm ² Stranded 4.0mm ² Solid |

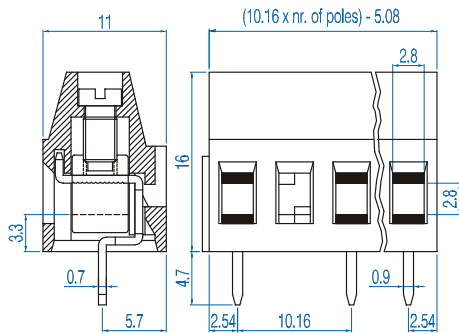
INSTALLATION DATA

| | | | |
|-------------------|------------------------|------------------------|-------|
| Screw Size | M3 | PCB Hole Size | 1.3mm |
| Torque | 0.5Nm (4.5 lbf-in.) | Stripping Lgth. | 8.3mm |

MATERIAL

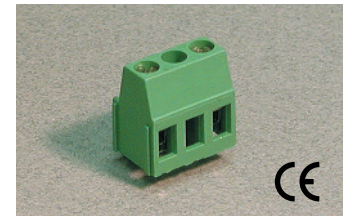
| | | | |
|---------------------------|-----------------------|-----------------|------------------|
| Body | Polyamide | Screw | Galvanized Steel |
| Flammability Class | UL94V-0 | Terminal | Tin-Plated Brass |
| Temperature Limit | 105°C UL 125°C IEC | Clamp | Nickeled Brass |
| Color | Green | | |

| No. Poles | Cat. # | Length (mm) | Std. Pk. |
|-----------|----------|-------------|----------|
| 2 | MVB-252 | 15.2 | 100 |
| 3 | MVB-253 | 25.4 | 50 |
| 4 | MVB-254 | 35.6 | 50 |
| 5 | MVB-255 | 45.7 | 50 |
| 6 | MVB-256 | 55.9 | 50 |
| 7 | MVB-257 | 66.0 | 50 |
| 8 | MVB-258 | 76.2 | 20 |
| 9 | MVB-259 | 86.4 | 20 |
| 10 | MVB-2510 | 96.5 | 20 |
| 11 | MVB-2511 | 106.7 | 20 |
| 12 | MVB-2512 | 116.8 | 20 |





^①16A Factory Wiring - UL

Pin Spacing: 10.16mm
 Orientation: Horizontal
 Clamp Type: Screw Cage
 Design: Modular



MHB-25xx

ELECTRICAL

| | Current | Voltage | Wire Range |
|---|------------------|---------|---|
|  | 15A ^② | 300V | 30-14AWG |
|  | 16A | 750V | 2.5mm ² Stranded 4.0mm ² Solid |

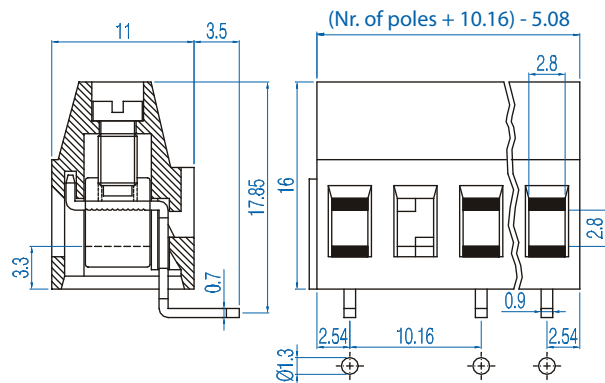
INSTALLATION DATA

| | | | |
|-------------------|------------------------|------------------------|-------|
| Screw Size | M3 | PCB Hole Size | 1.3mm |
| Torque | 0.5Nm (4.5 lbf-in.) | Stripping Lgth. | 8.3mm |

MATERIAL

| | | | |
|---------------------------|-----------------------|-----------------|------------------|
| Body | Polyamide | Screw | Galvanized Steel |
| Flammability Class | UL94V-0 | Terminal | Tin-Plated Brass |
| Temperature Limit | 105°C UL 125°C IEC | Clamp | Nickeled Brass |
| Color | Green | | |

| No. Poles | Cat. # | Length (mm) | Std. Pk. |
|-----------|----------|-------------|----------|
| 2 | MHB-252 | 15.2 | 100 |
| 3 | MHB-253 | 25.4 | 50 |
| 4 | MHB-254 | 35.6 | 50 |
| 5 | MHB-255 | 45.7 | 50 |
| 6 | MHB-256 | 55.9 | 50 |
| 7 | MHB-257 | 66.0 | 50 |
| 8 | MHB-258 | 76.2 | 20 |
| 9 | MHB-259 | 86.4 | 20 |
| 10 | MHB-2510 | 96.5 | 20 |
| 11 | MHB-2511 | 106.7 | 20 |
| 12 | MHB-2512 | 116.8 | 20 |



^②16A Factory Wiring - UL

Mouser Electronics

Authorized Distributor

Click to View Pricing, Inventory, Delivery & Lifecycle Information:

Altech:

[MHB-257](#) [MHB-253](#) [MHB-255](#) [MHB-259](#) [MHB-252](#) [MHB-256](#) [MHB-258](#) [MHB-254](#) [MHB-2510](#) [MHB-2511](#) [MHB-2512](#) [MVB-2511](#) [MVB-2510](#) [MVB-2512](#) [MVB-255](#) [MVB-259](#) [MVB-252](#) [MVB-256](#) [MVB-258](#) [MVB-254](#) [MVB-253](#) [MVB-257](#)