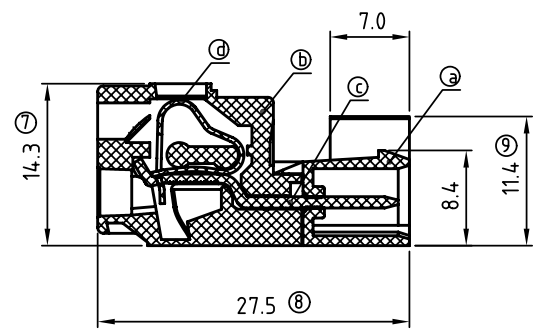
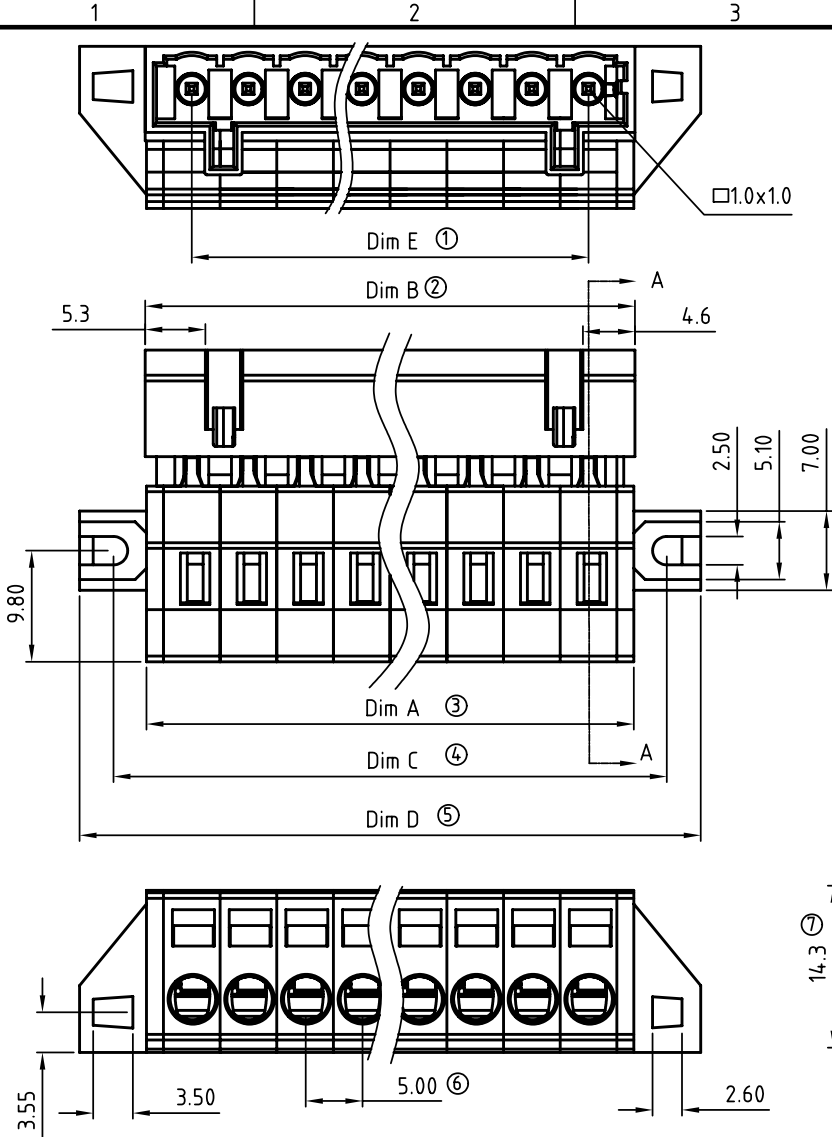


SIGN	DATE	DESCRIPTION	APPROVER
<b>THIS IS CAD DRAWING, DO NOT REVISE MANUALLY!!!</b>			



**Material:**

- Item a :Terminal body Thermoplastic (UL94 V-0)
- Item b :Terminal body Thermoplastic (UL94 V-0)
- Item c :Male contact pin: Brass Tin plated
- Item d :Spring clamp: Stainless steel

**Electrical**

- Voltage rating: 300V
- Current rating: 8A
- Wire range:
- Solid wire(AWG): 12-28
- Stranded wire(AWG): 12-28
- Wire strip length: 8-9mm
- Withstanding Voltage: 1.6KV
- Operating temperature: -40°C to +105°C
- Safety Approval: us

**NB xx 7 0 x 3 xxxx G**

RoHS  
Pb<40,000ppm

02 2 poles  
03 3 poles  
...  
24 24 poles

0 Black  
5 Green  
(RAL6018/T)  
6 Blue  
8 Grey  
(RAL7035/D)

0000 Standard @ Logo  
000A Standard ANY Logo  
Any special item by customer request, please contact sales department.

SECTION A-A

N = Number of poles  
 Dim A = N x 5.0 + 3.0  
 Dim B = N x 5.0 + 3.2  
 Dim C = N x 5.0 + 8.8  
 Dim D = N x 5.0 + 14.8  
 Dim E = (N - 1) x 5.0

	Dim A	Dim B	Dim C	Dim D
2-6p	±0.20	±0.20	±0.20	±0.20
7-12p	±0.25	±0.25	±0.25	±0.25
13-18p	±0.30	±0.30	±0.30	±0.30
19-24p	±0.40	±0.40	±0.40	±0.40

<b>ANYTEK</b>		<b>CUSTOMER COPY</b>		ALL RIGHTS RESERVED. REPRODUCTION OR ISSUE TO THIRD PARTIES IN ANY FORM WHATSOEVER IS NOT PERMITTED WITHOUT WRITTEN AUTHORITY FROM THE PROPRIETOR. PROPERTY OF ANYTEK TECHNOLOGY CO., LTD			
				TITLE NB 5.0mm series Flange with hook holder			
PART NO.		NBxx70x3xxxxG		DWG NO.		8NB0006	
APPROVED		CHECKED	DESIGNED	DRAWN	CUST NO.		Tolerance
			Jacke	Jacke			X. ±0.50
			2009.11.20	2009.11.20			X.X ±0.30
					SHEET: 01/01		X.XX ±0.10
					UNIT: mm		X° ±1°
					SCALE: 2/1		
					REV.: B		

# Mouser Electronics

Authorized Distributor

Click to View Pricing, Inventory, Delivery & Lifecycle Information:

## Amphenol:

[NB0270830000G](#) [NB0370830000G](#) [NB0470830000G](#) [NB0570830000G](#) [NB0670830000G](#) [NB0770830000G](#)  
[NB0870830000G](#) [NB0970830000G](#) [NB1070830000G](#) [NB1170830000G](#) [NB1270830000G](#) [NB1370830000G](#)  
[NB1470830000G](#) [NB1570830000G](#) [NB1670830000G](#) [NB1770830000G](#) [NB1870830000G](#) [NB1970830000G](#)  
[NB2070830000G](#) [NB2170830000G](#) [NB2270830000G](#) [NB2370830000G](#) [NB2470830000G](#)