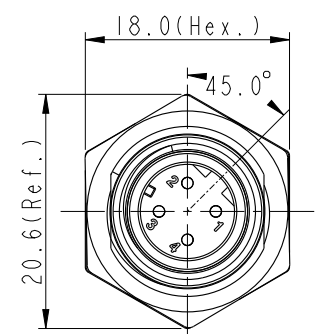
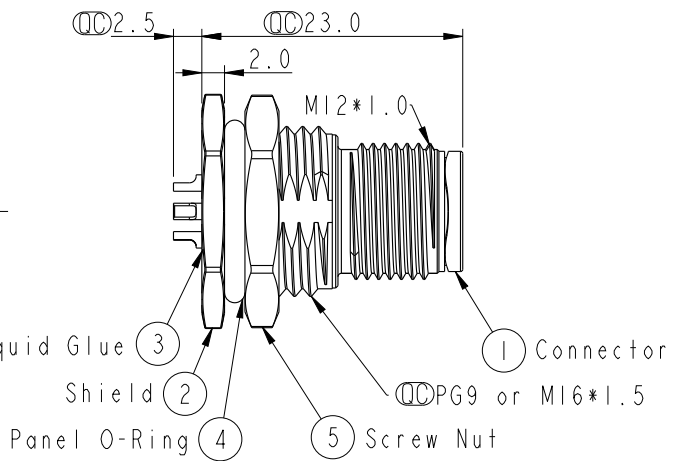
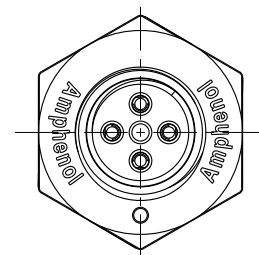
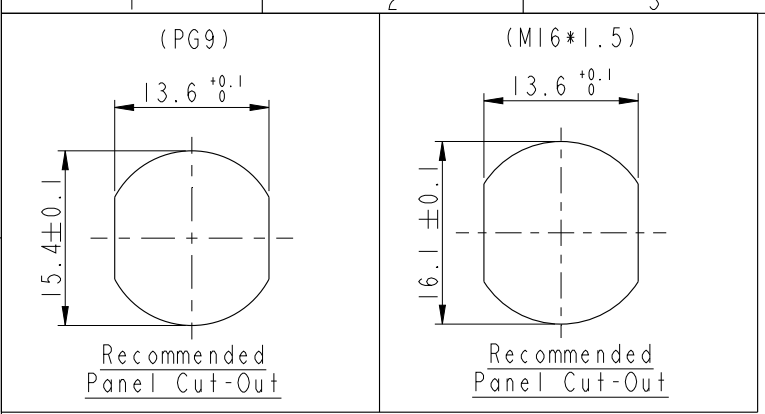


THIS DOCUMENT IS SUBJECT TO CHANGE WITHOUT NOTICE. IT IS CONFIDENTIAL AND A PROPERTY OF Amphenol LTW. DISCLOSURE TO THIRD PARTY HAS TO BE AUTHORIZED BY Amphenol LTW.

REV.	ECN NO.	DATE	SIGN	DESCRIPTION
B	LEN1580017-018	2015/07/24	Yulong_wang	Change to Share Drawing.
C	LEN1690145-146	2016/08/24	Yulong_wang	Add 3, 5 Pin & IP69K.



M I2D - XX P M M S - S F 8 XXX

I2D: D-Code  
 03: 3Pin  
 04: 4Pin  
 05: 5Pin  $\triangle C$

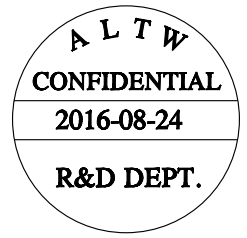
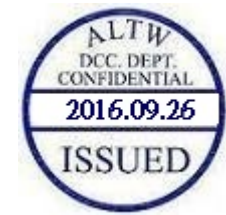
P: Panel (板端)

M: Male Connector (公座)  
 M: Male Pin (公Pin)

001: PG9  
 002: M16\*1.5

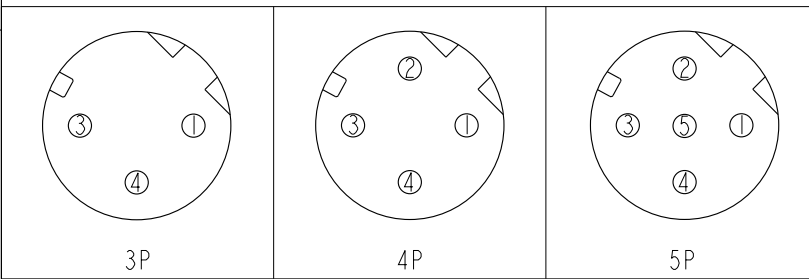
8: IP68/69K (防水等級68/69K)  $\triangle C$

F: Front Fasten (前鎖式/Enclosure Rear Mount)  
 S: Screw (螺紋式)  
 S: Solder Type (焊接式)



Note:

- \*  $\text{\textcircled{C}}$  Important Dimension.
- $\triangle C$  \* Waterproof Rate: IP68, IP69K.
- \* Housing: Nylon+GF, Black.
- \* Male Pin: Copper Alloy, Gold Plated.
- \* Shield: Zinc Alloy, Nickel Plated.
- \* Screw Nut: Zinc Alloy, Nickel Plated.
- \* Panel O-Ring: Viton, Black.
- $\triangle C$  \* Rated Voltage: 3 & 4Pin 250V dc. or ac.  
5Pin 60V dc. or ac.
- \* Rated Current: 4A
- \* Operating Temperature: -40~+105°C
- \* For Panel Thickness Max 4.5mm.
- \* Recommended Nut Torque: 4-6 Kgf.cm.



Pin Assignment Front View

UNIT: mm		TITLE M12 D-Code Male Conn. Solder Front Type			ITEM NO	DRAWN BY Yulong_wang	DATE 2016-08-24
		TOLERANCE .X ±0.25 .XX ±0.1 .XXX ±0.05 ANGLES ±1°	SCALE 2:1	SIZE A4	SHEET 1 OF 1	DWG NO M12D-XXPMS-SF8XXX	CHECKED BY Jinhai
REV. C		WC-REV. A.5	$\text{\textcircled{C}}$ : Inspection item	CUSTOMER ALTW	APPROVED BY Jerry	DATE 2016-08-24	

**Amphenol LTW**  
安費諾亮泰企業股份有限公司

# Mouser Electronics

Authorized Distributor

Click to View Pricing, Inventory, Delivery & Lifecycle Information:

[Amphenol:](#)

[M12D-04PMMS-SF8002](#)