

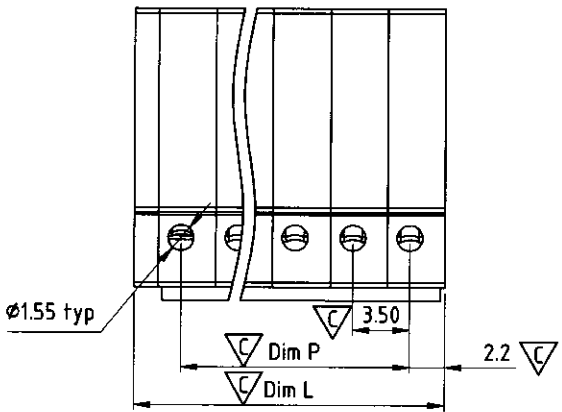
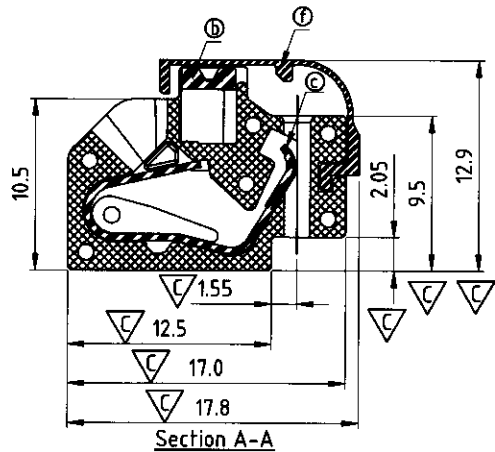
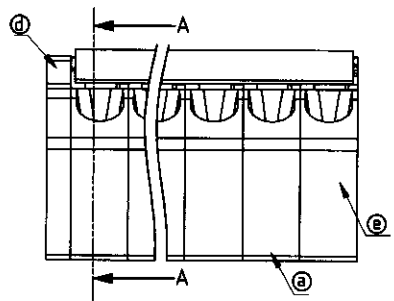
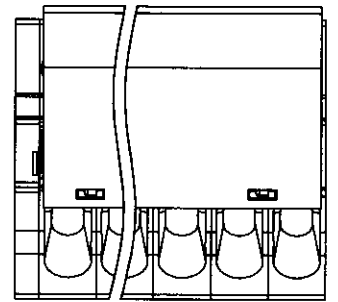
SIGN	DATE	DESCRIPTION	APPROVER
△			
△			

THIS IS CAD DRAWING, DO NOT REVISE MANUALLY!!!

Material

- Item ① Insulating body: Thermoplastic (UL94V-0)
- Item ② Insulating lever: Thermoplastic (UL94V-0) Orange RAL 2011/P
- Item ③ Spring clamp: Stainless steel Matte Tin plated.
- Item ④ Insulating cover : Thermoplastic (UL94V-0)
- Item ⑤ Terminal side body: Thermoplastic (UL94V-0)
- Item ⑥ Terminal Cover : Thermoplastic (UL94V-2)

- Electrical: cULus
- Voltage rating: 150V
 - Current rating: 2A
 - Solid wire(AWG): 16-22
 - Stranded wire(AWG): 16-22
 - Wire strip length: 9.0-10.0mm
 - Withstanding Voltage: 1.3KV
 - Operating temperature: -40°C to +115°C
 - Safety Approval:
 - Critical dimension: ▽



NY xx 10 x 1 xxxx G

- RoHS compliant (lead-free) in copper Alloy
- | | | |
|--------------|---------------------|------------------------|
| No. OF POLES | Body Color | 0000 Standard @ Logo |
| 02: 2 POLES | 0 Black (RAL9005) | 000A Standard ANY Logo |
| 03: 3 POLES | 2 Red (RAL3001/D) | Any special item by |
| ⋮ | 3 Orange(RAL2011/P) | customer request, |
| ⋮ | 4 Yellow(RAL1018/A) | please contact sales |
| 24: 24 POLES | 5 Green(RAL6018/T) | department. |
| | 6 Blue (RAL5015/A) | |
| | 8 Grey(RAL7004/P) | |
| | 9 White(RAL1102) | |
| | C Multiple colors | |

N = Number of poles
 Dim L=(N×3.5)+1.5
 Dim P=(N-1)×3.5

POLES	Dim L	Dim P
2p-6p	±0.15	±0.15
7p-12p	±0.2	±0.2
13p-18p	±0.3	±0.3
19p-24p	±0.4	±0.4

ANYTEK

CUSTOMER COPY

ALL RIGHTS RESERVED. REPRODUCTION OR ISSUE TO THIRD PARTIES IN ANY FORM WHATSOEVER IS NOT PERMITTED WITHOUT WRITTEN AUTHORITY FROM THE PROPRIETOR. PROPERTY OF ANYTEK TECHNOLOGY CO., LTD

TITLE		NY-3.5mm Series (with cover)			
PART NO.		NYxx10x1xxxxG		DWG NO. 8NY0001	
APPROVED	CHECKED	DESIGNED	DRAWN	CUST NO.	Tolerance
<i>Shijie</i>	Guoxue 2014.08.06	Guoxue 2014.08.06	UNIT: mm	X. ±0.50	X.X ±0.30
					SCALE: NONE
SHEET: 01/01			REV: B	X° ±1°	

Mouser Electronics

Authorized Distributor

Click to View Pricing, Inventory, Delivery & Lifecycle Information:

[Amphenol:](#)

[NY0210810000G](#) [NY0510810000G](#) [NY0410810000G](#) [NY0310810000G](#) [NY0610810000G](#)