

CD288H Series(1)



- High frequency, low impedance
- Endurance: 3000 hours at 105°C
- Applicable to chargers, adaptors and small home appliances
- Sleeve color: Gold Print in Jasper Sleeve

Series Features :

Item	Characteristics									
Operating Temperature Range(°C)	- 40~+ 105									
Voltage Range(V)	6.3 ~ 100									
capacitance Range(µF)	0.47-15000									
Capacitance Tolerance (20°C,120HZ)	±20%									
Leakage current(µA) (20°C)	1≤0.01CV or 3µA, Whichever Whichever is greater(after 2 minutes)									
	C:Nominal Capacitance(µF) V:Rated Voltage(V)									
Stability at low Temperature (Impedance Ratio at 120Hz)	R.v.(v)	6.3	10	16	25	35	50	63	100	
	Tan δ	0.22	0.19	0.16	0.14	0.12	0.10	0.08	0.08	
When nominal capacitance exceeds 1,000µF,add 0.02 to the value above for each 1,000µF increase										
Stability at low Temperature (Impedance Ratio at 120Hz)	R.V.(V)	6.3	10	16	25~50	63~100				
	Z-25°C/Z+20°C	4	3	3	3	2				
	Z-40°C/Z+20°C	8	6	4	3	3				
Load Life (+ 105°C 3000h)	The following specification shall be satisfied when the capacitors are restored to 20°C after subjected to DC Voltage with the rated ripple current is applied for 3000h at 105°C.									
	Capacitance Change					Within ±20% of the initial measured Value.				
	Dissipation Factor					≤200% of the initial specified Value				
	Leakage current					≤The initial specified value				
Shelf Life (+ 105°C 1000h)	The following specification shall be satisfied when the capacitors are restored to 20°C after exposingthem for1000h at 105°C without Voltage applied.									
	Capacitance Change					Within ±20% of the initial measured Value.				
	Dissipation Factor					≤200% of the initial specified Value				
	Leakage current					≤200% of the initial specified Value				

Frequency Coefficient

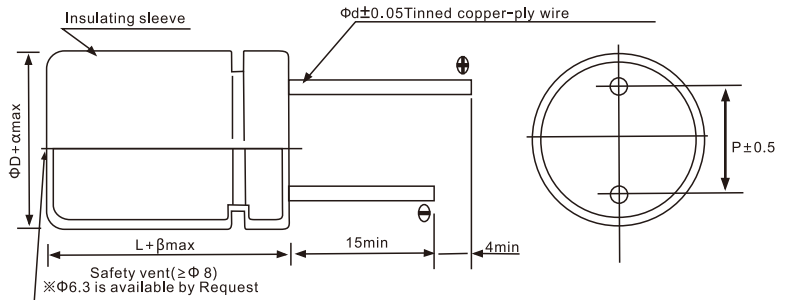
Cap.(µF) \ Freq.(HZ)	50(60)	120	400	1K	10K	50K-100K
CAP≤10	0.47	0.59	0.76	0.85	0.97	1.0
10 < CAP≤100	0.52	0.65	0.80	0.89	0.97	1.0
100 < CAP≤1000	0.58	0.72	0.84	0.90	0.98	1.0
1000 < CAP	0.63	0.78	0.87	0.91	0.98	1.0

Temperature Coefficieng

Temperature (°C)	40	60	70	85	105
Factor	2.4	2.1	1.78	1.65	1

CD288H Series(1)

Dimensions (mm)									
ΦD	5	6.3	8	10	13	16	18	20	22
P	2.0	2.5	3.5	5.0	5.0	7.5	7.5	10	10
Φd	0.5	0.5	0.5	0.6	0.6	0.8	0.8	0.8	0.8
β	1.0			2.0					
α	0.5								



Ratings									
R.V.(V)	6.3			10			16		
parameter Cap.(μF)	Φ D×L (mm)	Impedaance Ω20°C 100KHZ	Ripple Current (mArms)	Φ D×L (mm)	Impedaance Ω20°C 100KHZ	Ripple Current (mArms)	Φ D×L (mm)	Impedaance Ω20°C 100KHZ	Ripple Current (mArms)
10							5×11	3.000	74
22				5×11	3.000	96	5×11	2.000	101
33				5×11	2.100	100	5×11	1.800	112
47	5X11	2.100	111	5×11	1.900	148	5×11	1.400	149
56							5×11	1.200	171
68	5X11	1.900	133	5×11	1.740	169	5×11	0.930	192
100	5×11	1.700	167	5×11	1.300	205	6.3×11	0.850	255
120	5×11	1.600	170	6.3×11	1.200	245	6.3×11	0.080	262
150	6.3×11	1.100	217	6.3×11	0.900	281	6.3×11	0.660	280
180	6.3×11	1.000	228				8×12	0.060	352
220	6.3×11	0.920	302	6.3×11	0.590	330	8×12	0.500	462
270	6.3×11	0.860	323				8×12	0.480	494
330	8×12	0.700	378	8×12	0.330	442	8×12	0.410	562
470	8×12	0.520	433	8×12	0.330	555	10×13	0.300	717
560	8×12	0.500	473	8×12	0.280	523	10×13	0.260	749
680	8×12	0.380	529	10×13	0.100	730	10×16	0.160	1050
820	8×16	0.320	597	10×16	0.100	852	10×16	0.150	1127
1000	8×16	0.200	713	10×16	0.100	995	10×20	0.120	1289
1200	10×16	0.180	822	10×16	0.090	1148	10×25	0.090	1430
1500	10×16	0.150	1051	10×20	0.080	1337	10×30	0.070	1525
1800	10×20	0.130	1195	10×25	0.080	1478	10×25	0.070	1644
2200	10×20	0.110	1318	13×21	0.080	1670	13×25	0.070	1908
2700	10×25	0.090	1416	13×21	0.070	1805	13×25	0.060	2328
3300	13×20	0.090	1575	13×25	0.070	1905	13×30	0.060	2508
4700	13×25	0.070	1805	16×25	0.060	2003	16×32	0.050	2742
5600	13×30	0.070	2052	16×25	0.060	1995	16×36	0.050	2841
6800	16×25	0.070	2239	16×32	0.050	2523	18×40	0.050	3048
8200	16×32	0.060	2430	16×40	0.050	2639	18×40	0.040	3161
10000	16×40	0.050	2571	18×40	0.040	2714	18×40	0.040	3378
15000	18×40	0.050	2809						

↑ Ripple Current (mArms)at 105°C 100KHZ



CD288H Series(1)

Ratings									
R.V.(V)	25			35			50		
parameter Cap.(μF)	Φ D×L (mm)	Impedaance Ω20°C 100KHZ	Ripple Current (mArms)	Φ D×L (mm)	Impedaance Ω20°C 100KHZ	Ripple Current (mArms)	Φ D×L (mm)	Impedaance Ω20°C 100KHZ	Ripple Current (mArms)
0.47							5×11	6.000	24
1							5×11	5.000	38
2.2							5×11	4.000	52
3.3							5×11	3.500	57
4.7	5×11	4.000	65	5×11	3.500	81	5×11	3.000	86
5.6	5×11	3.500	71	5×11	3.000	87	5×11	2.600	100
6.8	5×11	3.000	83	5×11	2.800	97	5×11	2.200	111
10	5×11	2.500	86	5×11	2.100	105	5×11	2.200	120
15	5×11	2.100	116	5×11	1.800	135	5×11	1.700	135
22	5×11	1.900	124	5×11	1.500	150	6.3×11	1.300	148
33	5×11	1.600	152	5×11	1.300	177	6.3×11	0.800	242
47	5×11	1.300	185	6.3×11	0.900	274	6.3×11	0.710	281
56	6.3×11	1.100	238	6.3×11	0.800	295	8×12	0.710	295
68	6.3×11	0.820	272	8×12	0.710	338	8×12	0.710	361
100	6.3×11	0.710	357	8×12	0.500	433	10×13	0.400	462
120	6.3×11	0.630	370	8×12	0.430	485	10×13	0.380	504
150	8×12	0.500	397	8×12	0.330	518	10×13	0.350	566
180	8×12	0.460	432	10×13	0.300	618	10×16	0.300	817
220	8×12	0.380	530	10×13	0.270	718	10×16	0.250	889
270	10×13	0.350	684	10×16	0.260	865	10×20	0.180	1007
330	10×13	0.290	785	10×16	0.250	1005	10×25	0.103	1098
470	10×16	0.260	1146	10×20	0.200	1148	13×21	0.090	1517
560	10×16	0.200	1195	10×25	0.150	1433	13×21	0.080	1659
680	10×20	0.100	1262	13×20	0.070	1497	13×25	0.070	1839
820	10×20	0.080	1335	13×20	0.070	1620	13×30	0.068	2003
1000	13×20	0.070	1574	13×25	0.070	1810	16×25	0.065	2190
1200	13×25	0.060	1887	13×30	0.060	2030	16×32	0.065	2437
1500	13×25	0.060	2104	16×25	0.060	2161	16×40	0.060	2617
1800	16×25	0.060	2390	16×32	0.060	2571	16×40	0.050	2713
2200	16×25	0.060	2437	16×32	0.050	2646	18×40	0.050	2893
2700	16×25	0.050	2679	16×36	0.050	2708	18×40	0.045	2917
3300	16×32	0.050	3083	18×40	0.040	2951	18×40	0.040	2953
4700	16×40	0.050	3473	18×40	0.040	3333			
6800	18×40	0.050	3663						

↑
Ripple Current (mArms)at 105°C 100KHZ

CD288H Series(1)

Ratings						
R.V.(V)	63			100		
parameter Cap.(μ F)	Φ DxL (mm)	Impedaance Ω 20°C 100KHZ	Ripple Current (mArms)	DxL (mm)	Impedaance Ω 20°C 100KHZ	Ripple Current (mArms)
0.47	5×11	12.000	24	5×11	10.000	20
1	5×11	9.000	33	5×11	7.000	29
2.2	5×11	8.000	43	5×11	6.000	40
3.3	5×11	6.000	55	5×11	5.000	52
4.7	5×11	4.000	62	5×11	4.000	68
5.6	5×11	3.500	90	5×11	3.000	95
6.8	5×11	3.000	95	6.3×11	2.300	114
10	5×11	2.500	110	6.3×11	1.200	124
22	6.3×11	1.200	177	8×12	0.660	209
33	8×12	1.200	264	10×13	0.500	304
47	8×12	0.560	293	10×13	0.320	352
56	8×12	0.530	314	10×13	0.180	380
68	10×13	0.520	462	10×16	0.170	447
100	10×16	0.500	584	10×25	0.160	540
120	10×16	0.480	595	10×25	0.130	627
150	10×16	0.420	673	13×21	0.120	741
180	10×20	0.300	760	13×21	0.100	779
220	10×20	0.270	879	13×25	0.090	910
270	13×21	0.220	1093	13×30	0.090	1064
330	13×21	0.160	1193	16×25	0.090	1373
470	13×25	0.140	1544	16×32	0.060	1572
560	13×25	0.120	1602	16×40	0.060	1639
680	13×30	0.100	1858	18×40	0.060	1706
820	16×25	0.080	2048	18×40	0.051	1753
1000	16×32	0.060	2240	18×40	0.051	1839
1200	16×40	0.050	2428			
1500	18×40	0.040	2579			
1800	18×40	0.040	2855			

↑
Ripple Current (mArms)at 105°C 100KHZ