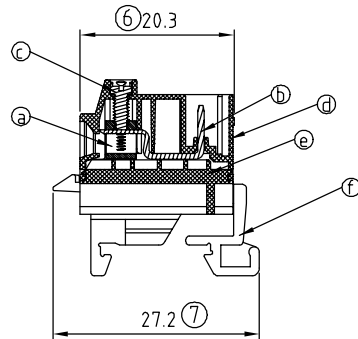
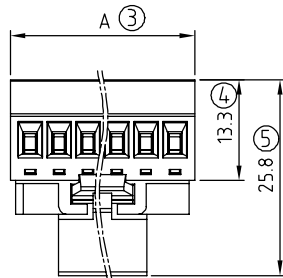
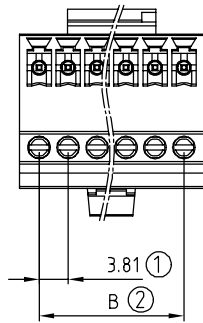


SIGN	DATE	DESCRIPTION	APPROVER
△	2011.02.25	The wire is changed from 14-30(AWG) to 14-28(AWG)	Aaron
△	2011.02.25	Add is cULus	Aaron

THIS IS CAD DRAWING, DO NOT REVISE MANUALLY!!!



Material:

- Item a Clamp: Brass Ni plated
- Item b Male contact pin: Brass, Tin plated.
- Item c Terminal screw: Steel Zinc plating
- Item d Terminal housing: Thermoplastic (UL94V-0)
- Item e Terminal cover: Thermoplastic (UL94V-0)
- Item f Terminal(track): Thermoplastic (UL94V-0)

Electrical: cULus

- Voltage rating: 300V
- Current rating: 8A
- Wire range:
- △ ● Solid wire(AWG): 14-28
- △ ● Stranded wire(AWG): 14-28
- Torque(Lb-In): 2.17
- Screw: M2
- Wire strip length: 6 mm
- Withstanding Voltage: 1.6KV
- Operating temperature: -40°C to +115°C
- △ ● Safety Approval:

V5 xx 31 x 2 xxxx G

- | | | |
|----------------|---------------------|---------------------------------------|
| No. OF POLES | | G: Pb<40000ppm |
| 03 3 CONTACTS | | 0000: "@" Logo (Standard) |
| 04 4 CONTACTS | Color | 000A: "ANYTEK" Mark |
| ... | 0 Black (RAL9005) | Any special item by customer request. |
| 24 24 CONTACTS | 2 Red (RAL3001/D) | please contact sales department. |
| | 3 Orange(RAL2011/P) | |
| | 4 Yellow(RAL1018/A) | |
| | 5 Green(RAL6018/T) | |
| | 6 Blue (RAL5015/A) | |
| | 8 Grey(RAL7035/D) | |

POLE		2	3	4	5	6	7	8	9	10	11	12
A		/	12.82	16.63	20.44	24.25	28.06	31.87	35.68	39.49	43.30	47.11
B		/	7.62	11.43	15.24	19.05	22.86	26.67	30.48	34.29	38.10	41.91
Tol.			±0.10				±0.15					
POLE	13	14	15	16	17	18	19	20	21	22	23	24
A	50.92	54.73	58.54	62.35	66.16	69.97	73.78	77.59	81.40	85.21	89.02	92.83
B	45.72	49.53	53.34	57.15	60.96	64.77	68.58	72.39	76.20	80.01	83.82	87.63
Tol.			±0.20				±0.30					

ANYTEK				CUSTOMER COPY			
ALL RIGHTS RESERVED. REPRODUCTION OR ISSUE TO THIRD PARTIES IN ANY FORM WHATSOEVER IS NOT PERMITTED WITHOUT WRITTEN AUTHORITY FROM THE PROPRIETOR. PROPERTY OF ANYTEK TECHNOLOGY CO., LTD							
TITLE		V5 3.81 mm W/O Flange Dinrail holder A type Series					
PART NO.		V5xx31x2xxxxG			DWG NO.		8V50102
APPROVED		CHECKED		DESIGNED		DRAWN	
				Aaron 2011.02.25		Jacke 2009.08.27	
						Tolerance X. ±0.50 X.X ±0.30 X.XX ±0.10 X* ±1°	
				SHEET: 01/01		REV: C	

Mouser Electronics

Authorized Distributor

Click to View Pricing, Inventory, Delivery & Lifecycle Information:

Amphenol:

[V50331520000G](#) [V50431520000G](#) [V50531520000G](#) [V50631520000G](#) [V50731520000G](#) [V50831520000G](#)
[V50931520000G](#) [V51031520000G](#) [V51131520000G](#) [V51231520000G](#) [V51331520000G](#) [V51431520000G](#)
[V51531520000G](#) [V51631520000G](#) [V51731520000G](#) [V51831520000G](#) [V51931520000G](#) [V52031520000G](#)
[V52131520000G](#) [V52231520000G](#) [V52331520000G](#) [V52431520000G](#)