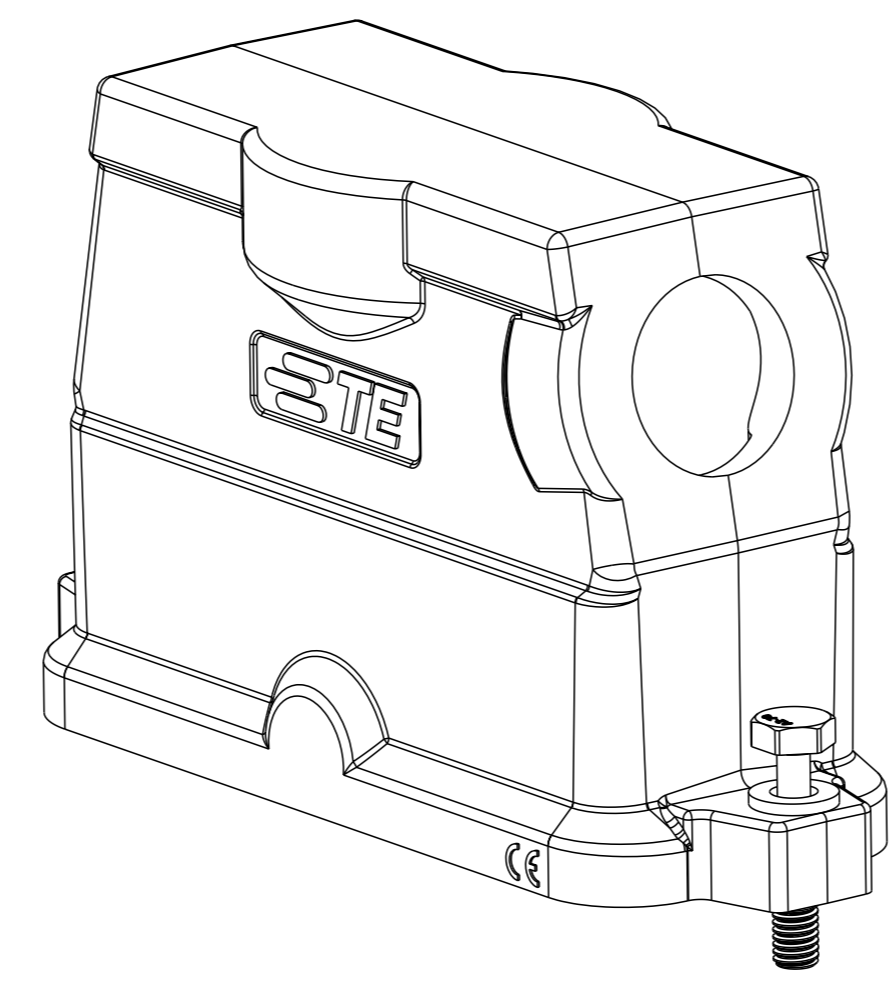
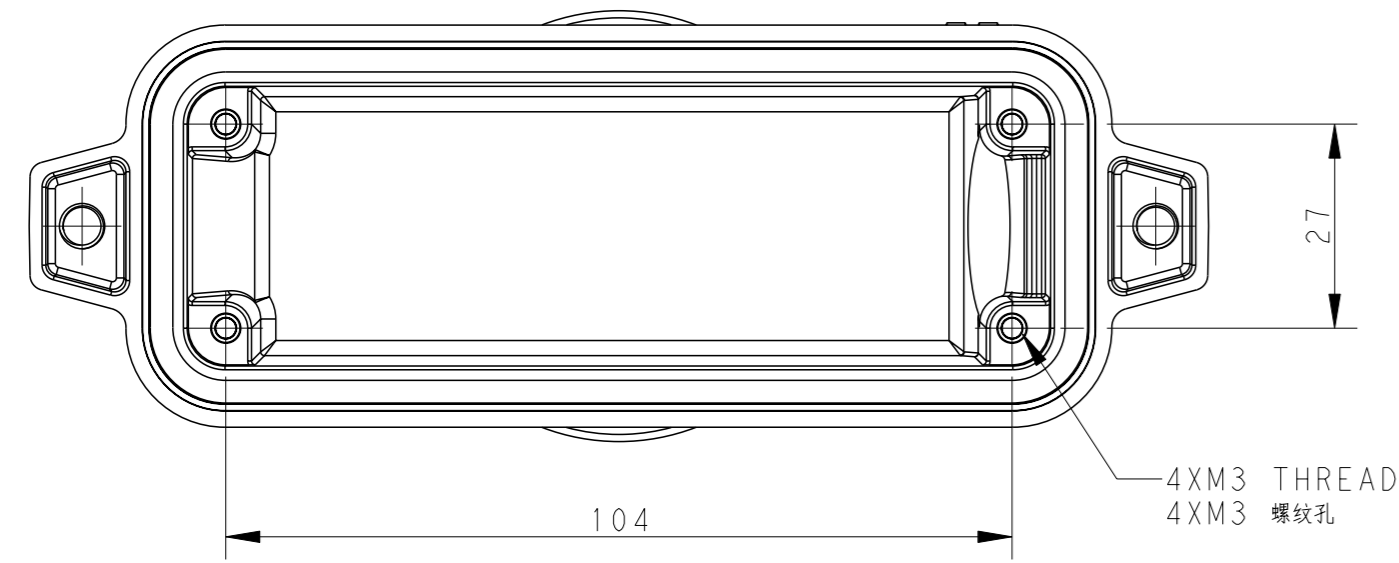
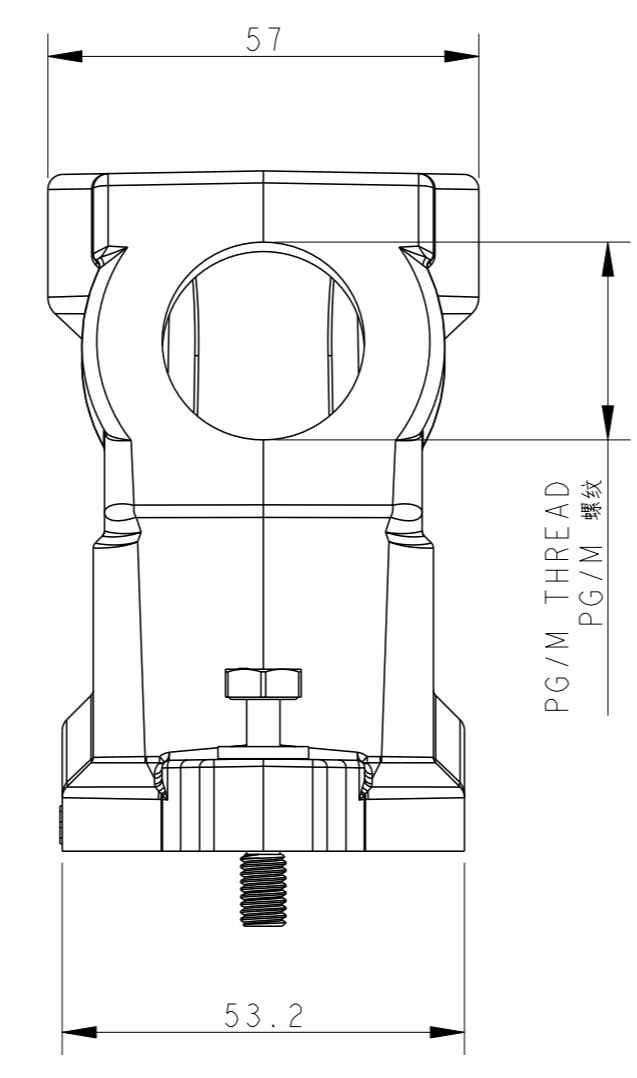
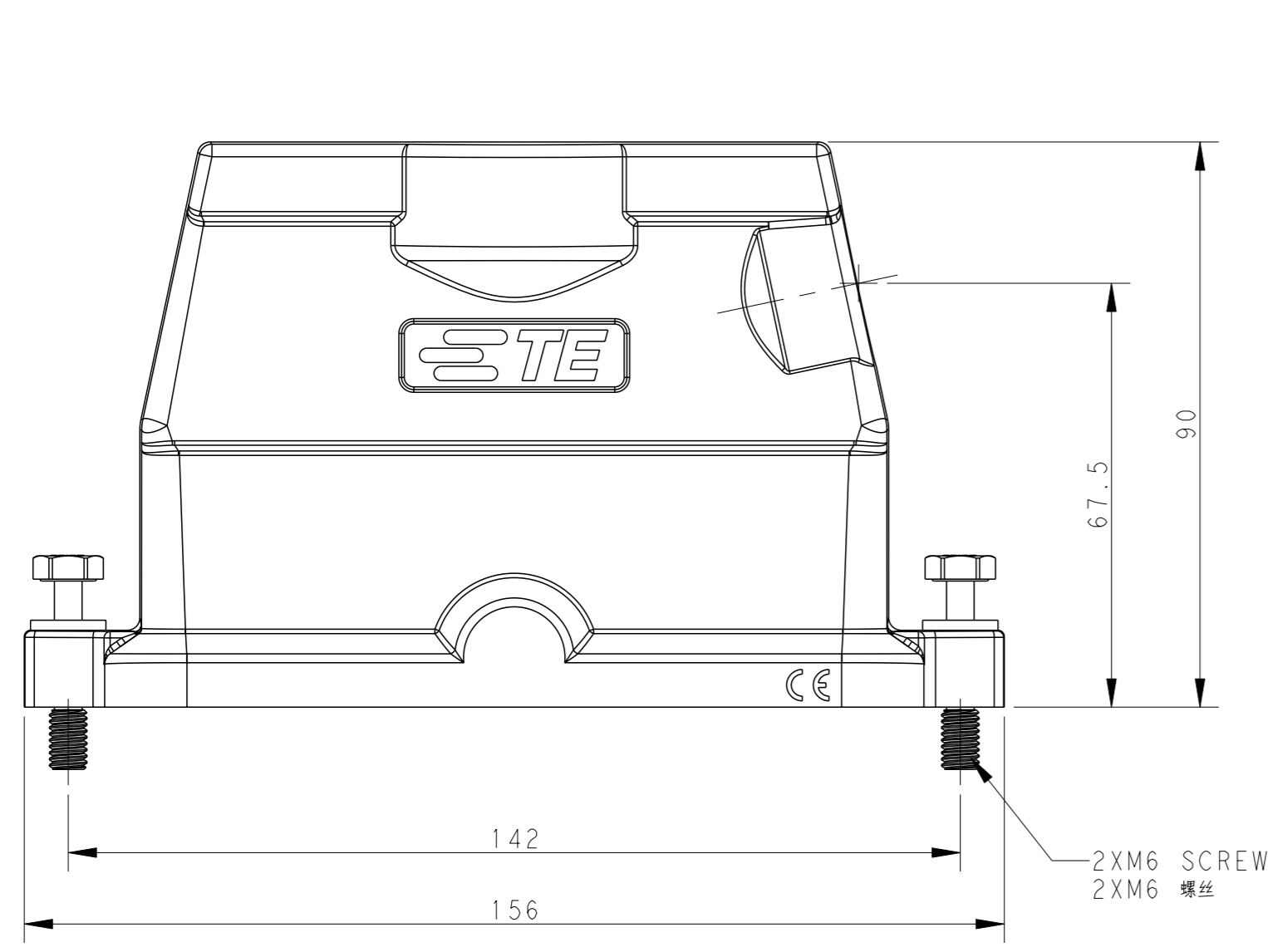


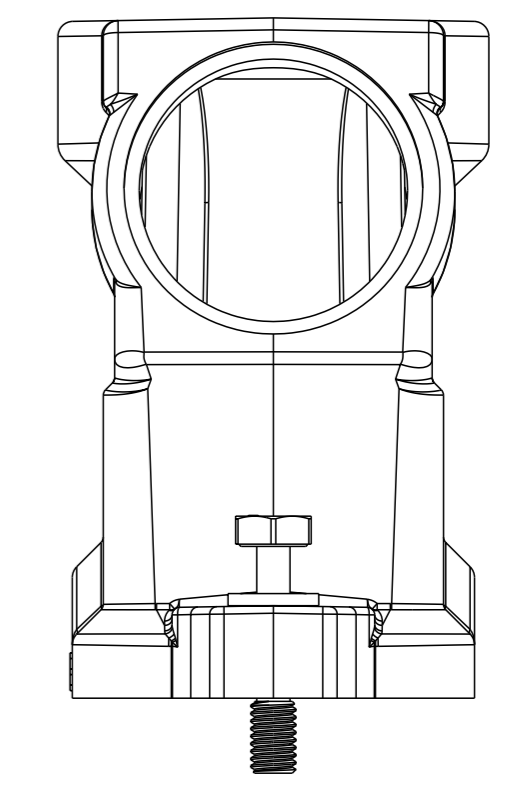
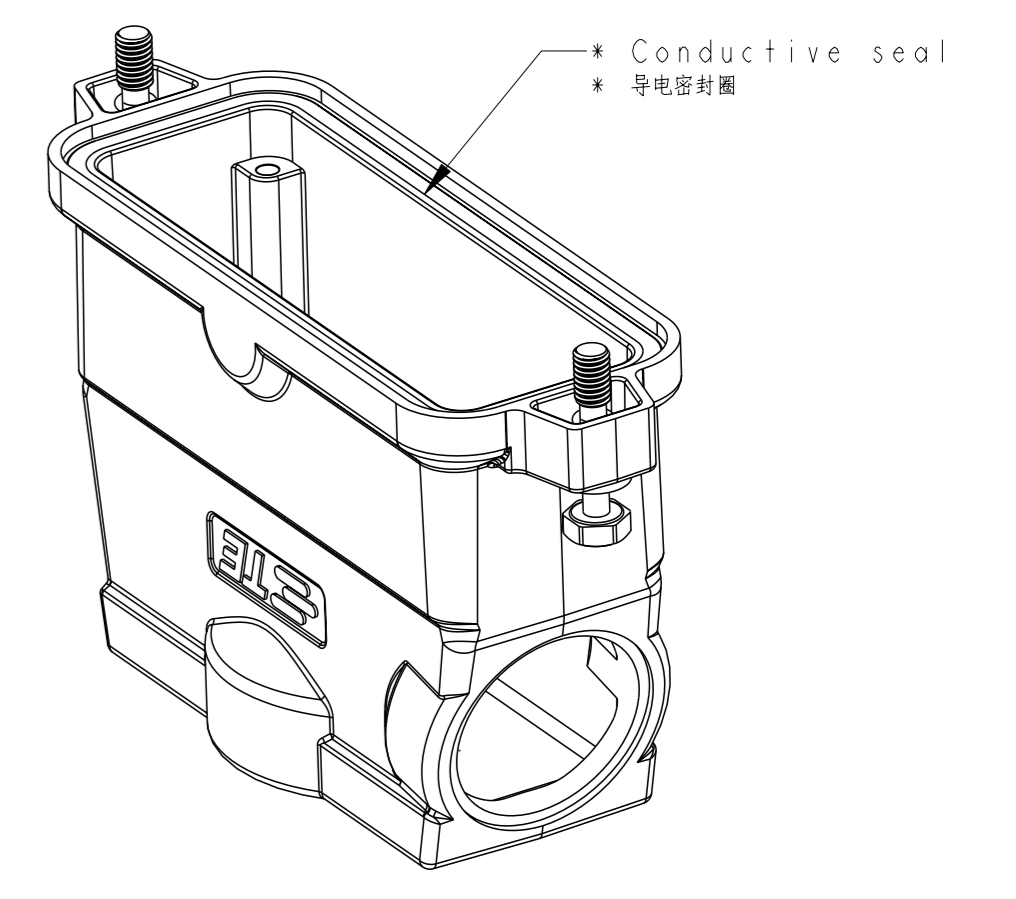
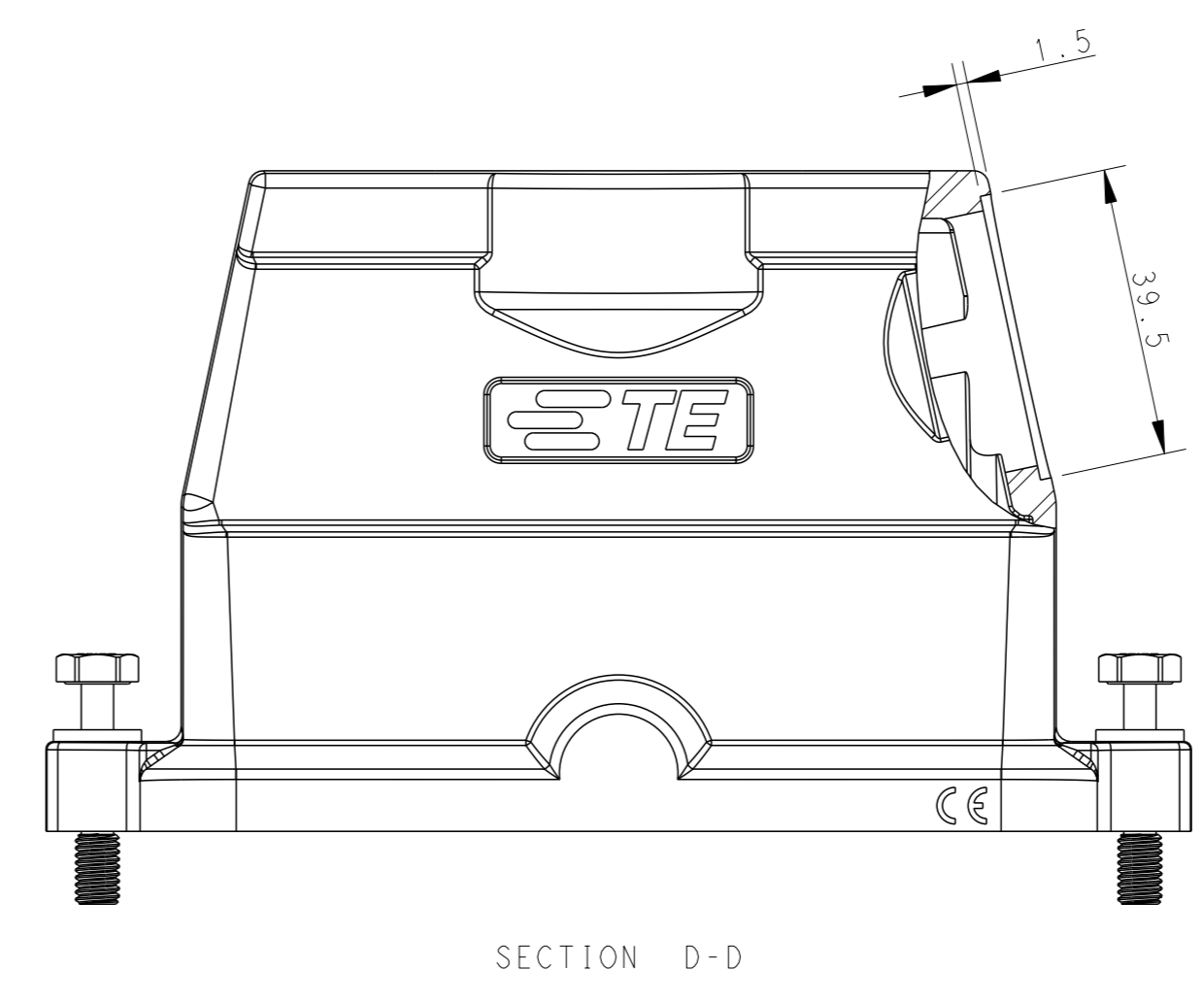
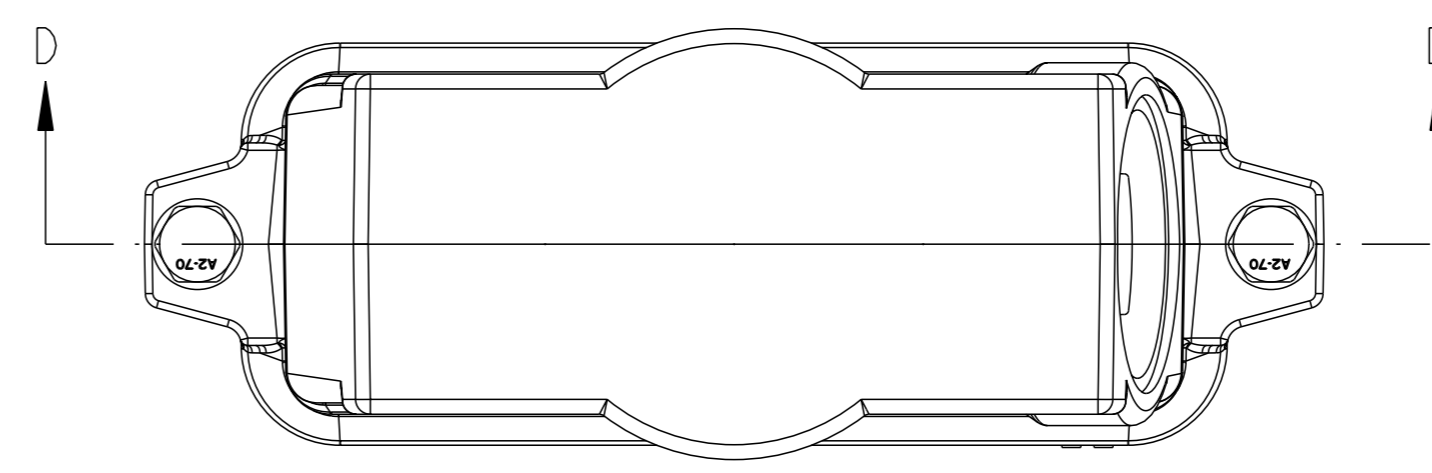
TYPE 1  
类型1

With nonconductive seal / 带非导电密封圈



TYPE 2  
类型2

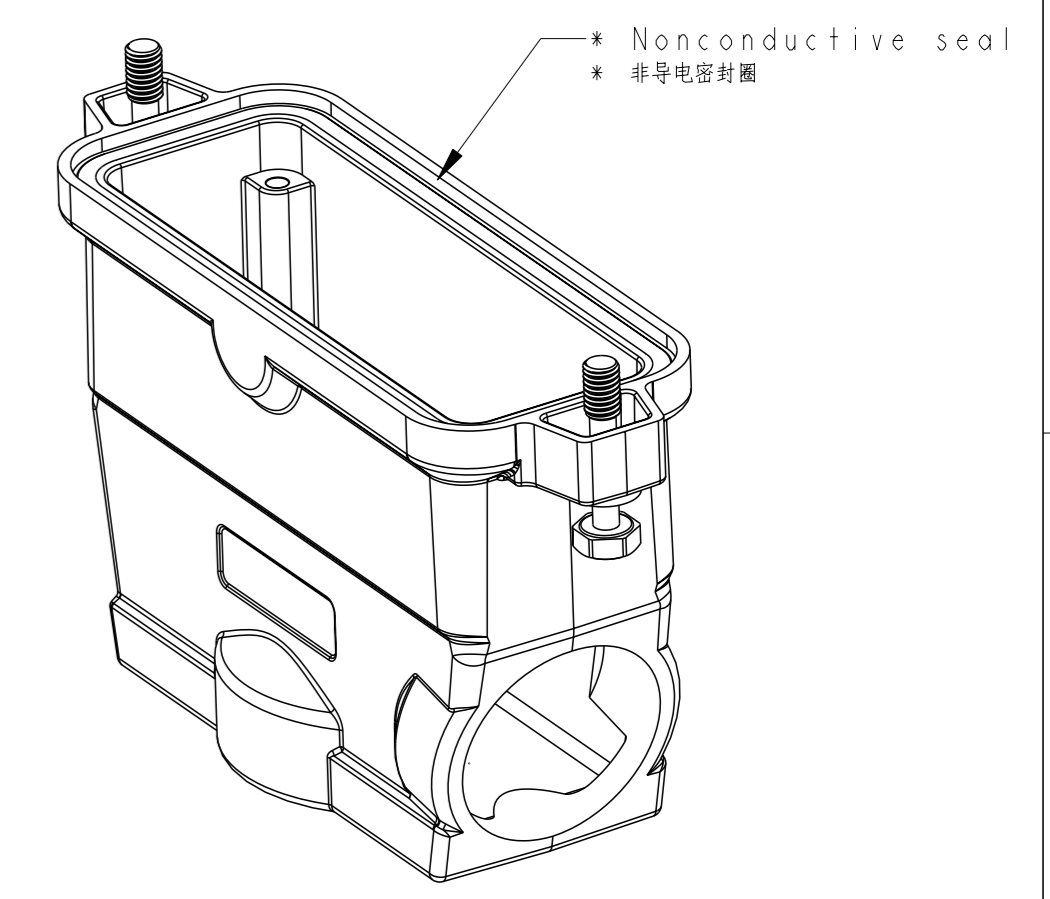
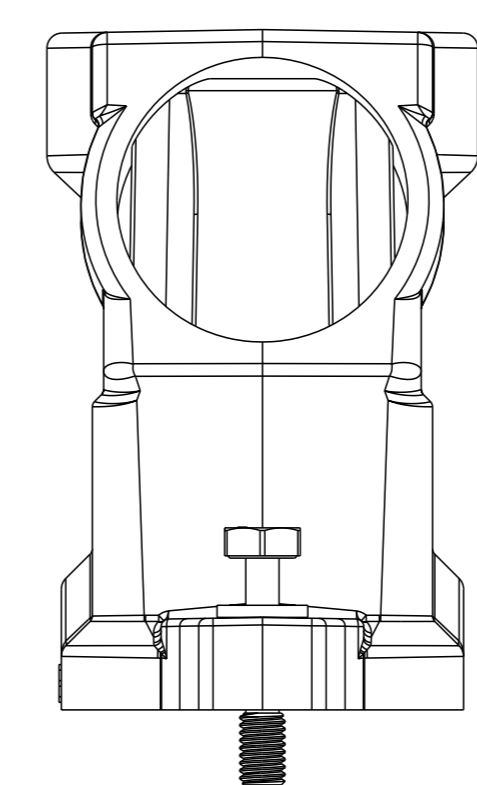
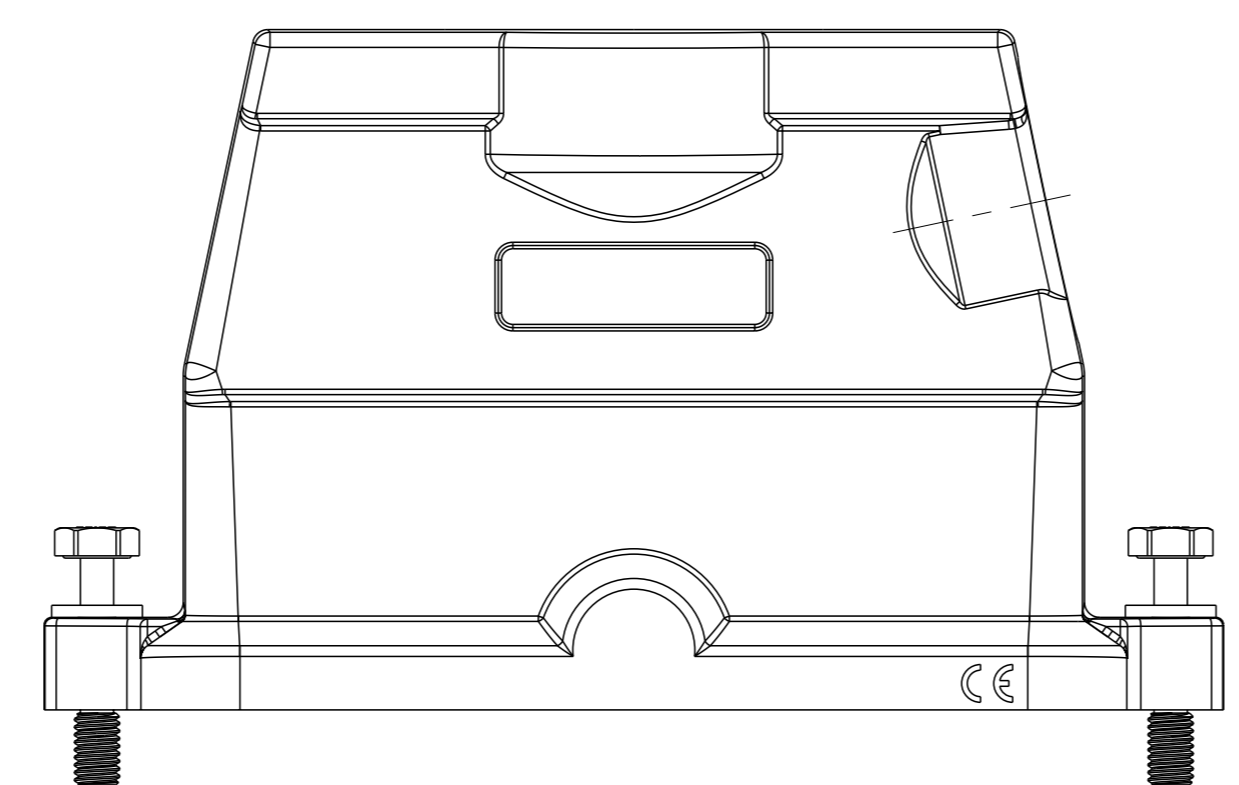
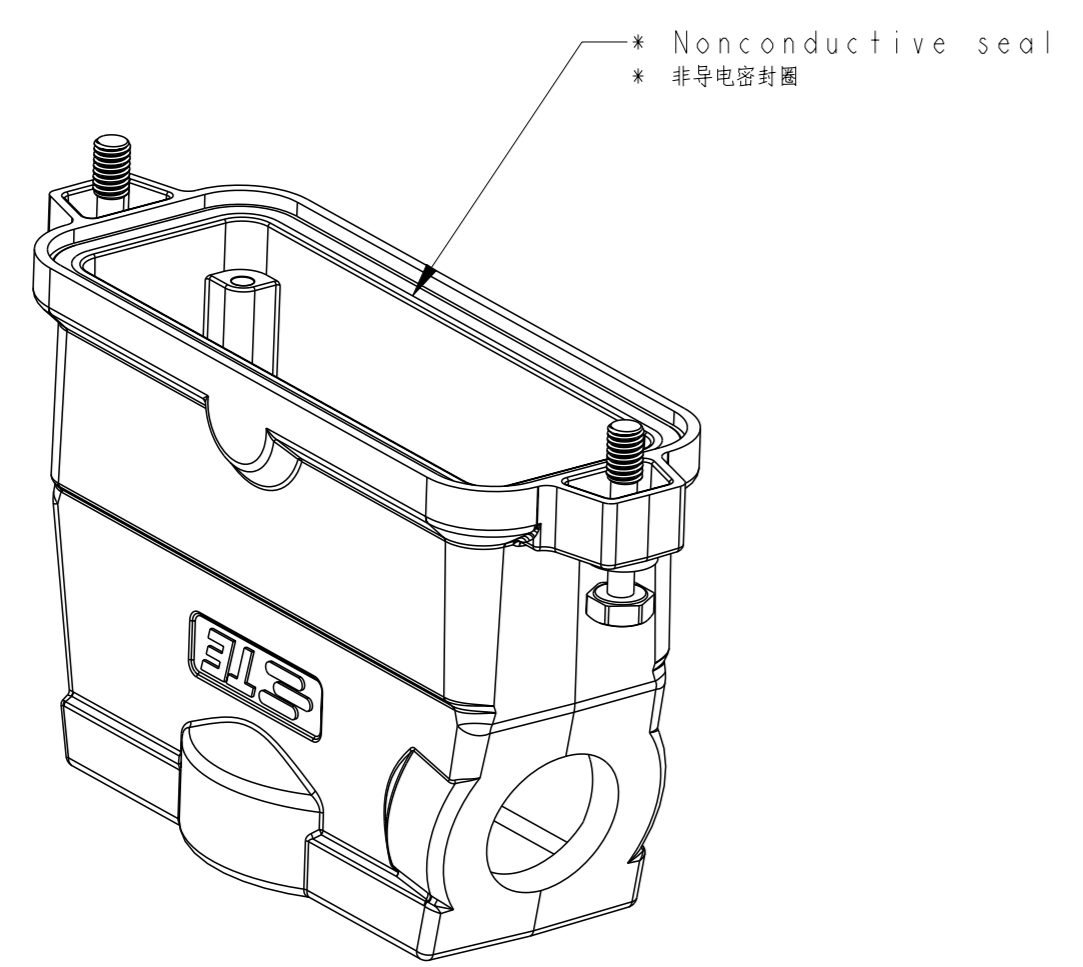
With conductive seal / 带导电密封圈



All dimension is same as TYPE 1, except those defined in this TYPE  
除了在本类型中定义的尺寸外,其他尺寸同类型1

TYPE 3  
类型3

With nonconductive seal, no logo / 带非导电密封圈, 无logo



All dimension is same as TYPE 1, just no logo  
所有的尺寸与类型1相同, 仅无logo

| REVISIONS |     |               |           |          |
|-----------|-----|---------------|-----------|----------|
| #         | LY# | DESCRIPTION   | DATE      | OWN APVD |
| B         |     | ECR-16-007814 | 31MAY2016 | GY CW    |
| B1        |     | ECR-18-009564 | 19SEP2018 | CD CW    |
| B2        |     | ECR-19-007133 | 14MAY2019 | BS CW    |
| C         |     | ECR-20-014403 | 20MAY2021 | BS CW    |


|  |           |                           |   |
|--|-----------|---------------------------|---|
| THIS DRAWING IS A CONTROLLED DOCUMENT. |           | OWN: Gino Yao 16JUN2015   | TE Connectivity<br>NAME: H24BPR-TSHC-PG/M |
| DIMENSIONS: mm                         |           | CHK: Chris Wong 16JUN2015 |   |
| TOLERANCES UNLESS OTHERWISE SPECIFIED: |           | APVD: Xiang Xu 16JUN2015  | SIZE: A1                                  |
| 0 PLC ±                                | 1 PLC ±   | PRODUCT SPEC              | CAGE CODE: -                              |
| 2 PLC ±                                | 3 PLC ±   | 108-137014                | DRAWING NO: C-T191224XXXXX00              |
| 4 PLC ±                                | ANGLES ±  | APPLICATION SPEC          | RESTRICTED TO: -                          |
| MATERIAL: -                            | FINISH: - | 114-137014                | SCALE: 1:1                                |
| WEIGHT: -                              |           | CUSTOMER DRAWING          | SHEET 1 OF 2                              |
| REV: -                                 |           |                           | REV: C                                    |

| REVISIONS |      |             |      |      |
|-----------|------|-------------|------|------|
| #         | DATE | DESCRIPTION | DATE | APPV |
| -         |      | SEE SHEET 1 | -    | -    |
|           |      |             |      |      |
|           |      |             |      |      |

NOTES:  
 1. TECHNICAL CHARACTERISTICS:  
 HOOD MATERIAL: DIE CAST ALUMINIUM ALLOY  
 SURFACE TREATMENT: SEE TABLE  
 DEGREE OF PROTECTION: IP68 (MATED)

注释  
 1. 技术参数:  
 壳体材料: 铝合金  
 表面处理: 见表格  
 防护等级: IP68 (配合)

| PART NUMBER<br>零件料号 | SURFACE TREATMEN<br>表面处理               |                  | DESCRIPTION<br>描述  | PG/M THREAD<br>PG/M 螺紋 | TYPE<br>类型    |
|---------------------|--|------------------|--|------------------------|---------------|
| T1912242140-001     | POWDER COATED,DEEP GREY<br>表面喷涂,深灰色    | H24BPR-TSHC-M40  | H24BPR HOOD,CENTER LOCKING,SIDE ENTRY M40,POWDER COATED,DEEP GREY,NO LOGO<br>H24BPR上壳,中部锁定,侧出M40,深灰色粉末喷涂,无LOGO   | M40                    | TYPE 3<br>类型3 |
| T1912242125-001     | POWDER COATED,DEEP GREY<br>表面喷涂,深灰色    | H24BPR-TSHC-M25  | H24BPR HOOD,CENTER LOCKING,SIDE ENTRY M25,POWDER COATED,DEEP GREY,NO LOGO<br>H24BPR上壳,中部锁定,侧出M25,深灰色粉末喷涂,无LOGO   | M25                    |               |
| T1912242132-001     | POWDER COATED,DEEP GREY<br>表面喷涂,深灰色    | H24BPR-TSHC-M32  | H24BPR HOOD,CENTER LOCKING,SIDE ENTRY M32,POWDER COATED,DEEP GREY,NO LOGO<br>H24BPR上壳,中部锁定,侧出M32,深灰色粉末喷涂,无LOGO   | M32                    |               |
| T1912242129-001     | POWDER COATED,DEEP GREY<br>表面喷涂,深灰色    | H24BPR-TSHC-PG29 | H24BPR HOOD,CENTER LOCKING,SIDE ENTRY PG29,POWDER COATED,DEEP GREY,NO LOGO<br>H24BPR上壳,中部锁定,侧出PG29,深灰色粉末喷涂,无LOGO                                       | PG29                   | TYPE 2<br>类型2 |
| T1912241129-001     | POWDER COATED,SILVER WHITE<br>表面喷涂,银白色 | H24BPR-TSHC-PG29 | H24BPR HOOD,CENCER LOCKING,SIDE ENTRY,PG29,<br>POWDER COATED,SILVER WHITE,CONDUCTIVE,CUTTING SIDE PG29 STEP<br>H24BPR上壳,中部锁定,侧出PG29,银白色粉末喷涂,导电版,螺紋孔带台阶 | PG29                   |               |
| T1912240129-001     | POWDER COATED,BLACK<br>表面喷涂,黑色         | H24BPR-TSHC-PG29 | H24BPR HOOD,CENCER LOCKING,SIDE ENTRY,PG29,<br>POWDER COATED,BLACK,CONDUCTIVE,CUTTING SIDE PG29 STEP<br>H24BPR上壳,中部锁定,侧出PG29,黑色粉末喷涂,导电版,螺紋孔带台阶         | PG29                   | TYPE 1<br>类型1 |
| T1912241140-000     | POWDER COATED,SILVER WHITE<br>表面喷涂,银白色 | H24BPR-TSHC-M40  | H24BPR HOOD,CENCER LOCKING,SIDE ENTRY,M40,POWDER COATED,SILVER WHITE<br>H24BPR上壳,中部锁定,侧出M40,银白色粉末喷涂  | M40                    |               |
| T1912241136-000     | POWDER COATED,SILVER WHITE<br>表面喷涂,银白色 | H24BPR-TSHC-PG36 | H24BPR-TSHC-PG36 /H24BPR中部锁定侧出上壳PG36 银白色   | PG36                   |               |
| T1912241132-000     | POWDER COATED,SILVER WHITE<br>表面喷涂,银白色 | H24BPR-TSHC-PG32 | H24BPR HOOD,CENCER LOCKING,SIDE ENTRY,PG32,POWDER COATED,SILVER WHITE<br>H24BPR上壳,中部锁定,侧出PG32,银白色粉末喷涂  | M32                    |               |
| T1912241129-000     | POWDER COATED,SILVER WHITE<br>表面喷涂,银白色 | H24BPR-TSHC-PG29 | H24BPR HOOD,CENCER LOCKING,SIDE ENTRY,PG29,POWDER COATED,SILVER WHITE<br>H24BPR上壳,中部锁定,侧出PG29,银白色粉末喷涂  | PG29                   |               |
| T1912241125-000     | POWDER COATED,SILVER WHITE<br>表面喷涂,银白色 | H24BPR-TSHC-M25  | H24BPR HOOD,CENCER LOCKING,SIDE ENTRY,M25,POWDER COATED,SILVER WHITE<br>H24BPR上壳,中部锁定,侧出M25,银白色粉末喷涂  | M25                    |               |
| T1912241121-000     | POWDER COATED,SILVER WHITE<br>表面喷涂,银白色 | H24BPR-TSHC-PG21 | H24BPR HOOD,CENCER LOCKING,SIDE ENTRY,PG21,POWDER COATED,SILVER WHITE<br>H24BPR上壳,中部锁定,侧出PG21,银白色粉末喷涂  | PG21                   |               |
| T1912240140-000     | POWDER COATED,BLACK /表面喷涂,黑色           | H24BPR-TSHC-M40  | H24BPR HOOD,CENCER LOCKING,SIDE ENTRY,M40,POWDER COATED,BLACK<br>H24BPR上壳,中部锁定,侧出M40,黑色粉末喷涂  | M40                    |               |
| T1912240136-000     | POWDER COATED,BLACK /表面喷涂,黑色           | H24BPR-TSHC-PG36 | H24BPR-TSHC-PG36 /H24BPR中部锁定侧出上壳PG36 黑色  | PG36                   |               |
| T1912240132-000     | POWDER COATED,BLACK /表面喷涂,黑色           | H24BPR-TSHC-M32  | H24BPR HOOD,CENCER LOCKING,SIDE ENTRY,M32,POWDER COATED,BLACK<br>H24BPR上壳,中部锁定,侧出M32,黑色粉末喷涂  | M32                    |               |
| T1912240129-000     | POWDER COATED,BLACK /表面喷涂,黑色           | H24BPR-TSHC-PG29 | H24BPR HOOD,CENCER LOCKING,SIDE ENTRY,PG29,POWDER COATED,BLACK<br>H24BPR上壳,中部锁定,侧出PG29,黑色粉末喷涂  | PG29                   |               |
| T1912240125-000     | POWDER COATED,BLACK /表面喷涂,黑色           | H24BPR-TSHC-M25  | H24BPR HOOD,CENCER LOCKING,SIDE ENTRY,M25,POWDER COATED,BLACK<br>H24BPR上壳,中部锁定,侧出M25,黑色粉末喷涂  | M25                    |               |
| T1912240121-000     | POWDER COATED,BLACK /表面喷涂,黑色           | H24BPR-TSHC-PG21 | H24BPR HOOD,CENCER LOCKING,SIDE ENTRY,PG21,POWDER COATED,BLACK<br>H24BPR上壳,中部锁定,侧出PG21,黑色粉末喷涂  | PG21                   |               |

|  |  |  |   |
|--|--|--|---|
| THIS DRAWING IS A CONTROLLED DOCUMENT.                                 |  | OWN<br>G.Luo.Yao 16JUN2015   |  TE Connectivity<br>NAME: H24BPR-TSHC-PG/M |
| DIMENSIONS:  |  | CHK<br>Chr.Wang 16JUN2015  |   |
| TOLERANCES UNLESS OTHERWISE SPECIFIED:                                 |  | APPV<br>Kuang.Xu 16JUN2015   |   |
| mm<br>0 PLC ±<br>2 PLC ±<br>3 PLC ±<br>4 PLC ±<br>ANGLES ±<br>FINISH ± |  | PRODUCT SPEC<br>108-137014<br>APPLICATION SPEC<br>114-137014<br>WEIGHT<br>CUSTOMER DRAWING |   |
| MATERIAL   |  | SIZE<br>A1   | CAGE CODE<br>DRAWING NO<br>RESTRICTED TO<br>SCALE 1:1 SHEET 2 OF 2 REV C  |