

Actuator

45-
2530.2910.000



<https://eao.com/p/45-2530.2910.000>

Your product:



45-2530.2910.000 Actuator

FRONT

Front dimension:	Ø 40 mm
Front bezel colour:	Silver
Front bezel material:	Metal

MOUNTING

Design:	raised
----------------	--------

OPERATING-/INDICATION PART

Lens illumination:	non illuminative
Lens colour:	Black
Lens shape:	mushroom-head
Lens material:	Plastic
Lens optics:	opaque

MECHANICAL CHARACTERISTIC

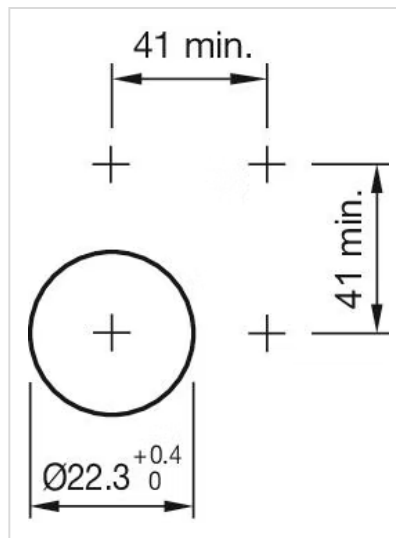
Weight:	0.061 kg
Switching action:	Maintained
Switching system:	Slow-make switching element
Release type:	Pull unlock
Mechanical lifetime:	500 000 cycles of operation
Operating frequency:	Max. 1 800/h

AMBIENT CONDITION

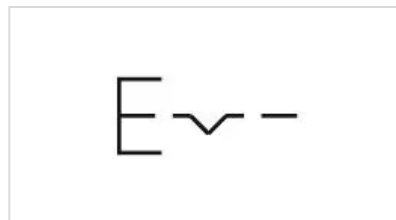
Shock resistance:	According to IEC 60068-2-27: Sinusoidal half-wave 50 g / 11 ms
Vibration resistance:	According to IEC 60068-2-6: 20 ... 500 Hz: 5 g
IP front protection:	IP66, IP67, IP69K
Operating temperature:	- 25 °C ... + 70 °C
Storage temperature:	- 40 °C ... + 80 °C
Climate resistance:	During operation according to IEC 60721: 3K6, 3C3, 3S2, 3M6

OTHER

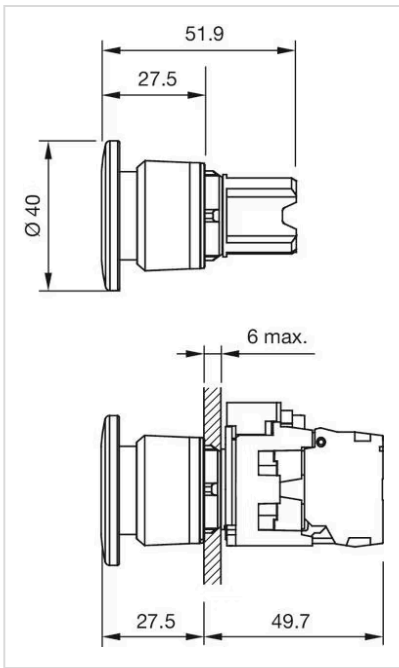
Housing colour:	Silver
Housing material:	Metal
Short Description:	Actuator, Ø 40 mm, mushroom-head, non illuminative, Black, Plastic, opaque, Silver, Metal, Maintained, IP66, IP67, IP69K, Pull unlock
Mounting cut-outs:	



Wiring diagrams:



Dimension drawings:



Mouser Electronics

Authorized Distributor

Click to View Pricing, Inventory, Delivery & Lifecycle Information:

[EAO:](#)

[45-2530.2910.000](#)