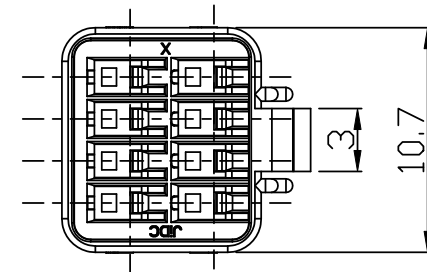
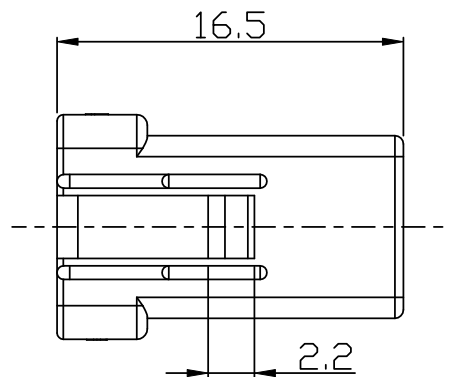
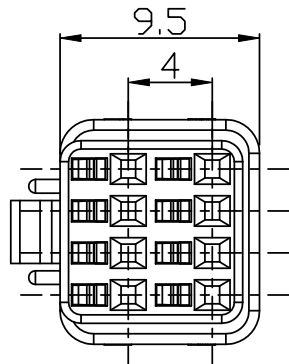
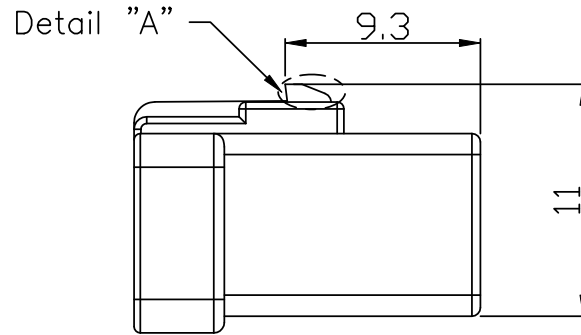
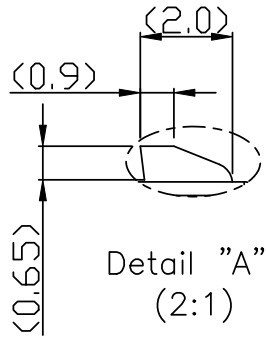


REV.	DESCRIPTION	DESIGN	APPROVAL	DATE
A0	New version			
A1	Add dimensional			



NOTES:

- Material:  
Housing:PBT,UL94V-0,Color:White  
Gasket:Silicon,Color:Blue
- Harmful material please follow RoHS.

X.± 0.35	X.*± 1°
.X± 0.20	.X*± 0.5°
.XX± 0.15	.XX*± /
.XXX± 0.10	.XXX*± /
UNITS:	mm



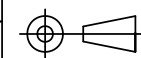
Guangdong JiDe Precision Electronics Co., Ltd

广东济德精密电子有限公司

The information in this document is property of JIDCON company and should not be copied or reproduced in any other way, without written permission.

TITLE: 8P 2.0pitch Receptacle housing
APPD: Jerry
CHKD: Jack
DRAW: Jun

PART NO. 962-0811-020						
DWG NO: C-962-0811-020						
<table border="1"> <thead> <tr> <th>SCALE</th> <th>SHEET</th> <th>REV.</th> </tr> </thead> <tbody> <tr> <td>1:1</td> <td>1/1</td> <td>A1</td> </tr> </tbody> </table>	SCALE	SHEET	REV.	1:1	1/1	A1
SCALE	SHEET	REV.				
1:1	1/1	A1				



E

D

C

B

A

E

D

C

B

A

8

7

6

5

4

3

2

1

8

7

6

5

4

3

2

1