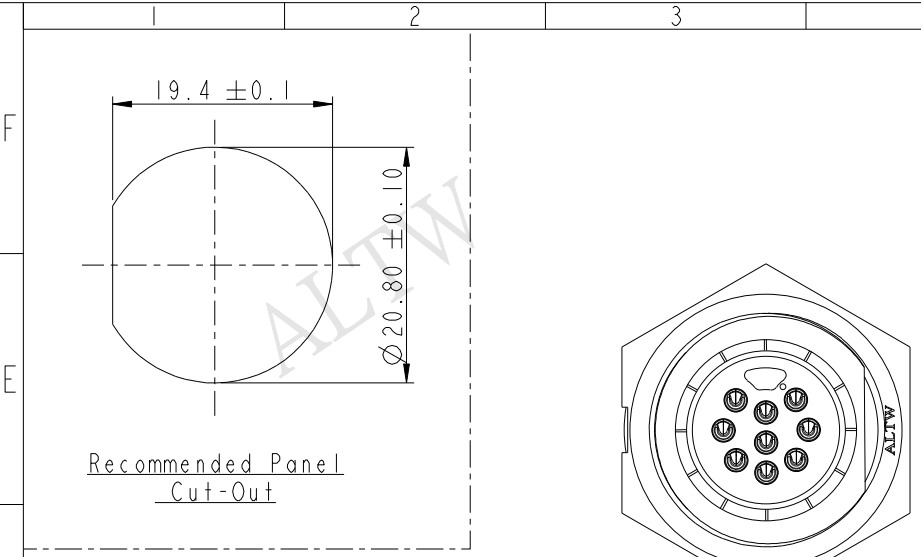
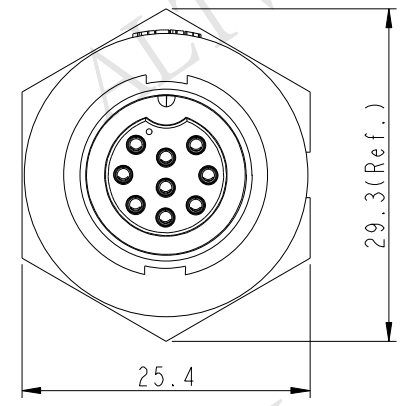
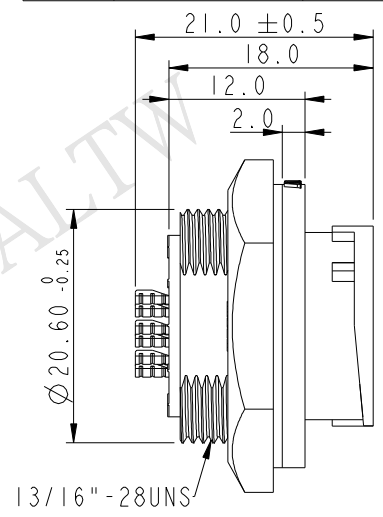
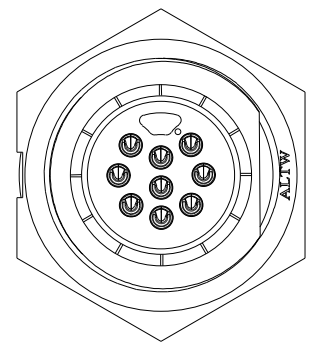


THIS DOCUMENT IS SUBJECT TO CHANGE WITHOUT NOTICE. IT IS CONFIDENTIAL AND A PROPERTY OF Amphenol LTW. DISCLOSURE TO THIRD PARTY HAS TO BE AUTHORIZED BY Amphenol LTW.

REV.	ECN NO.	DATE	SIGN	DESCRIPTION

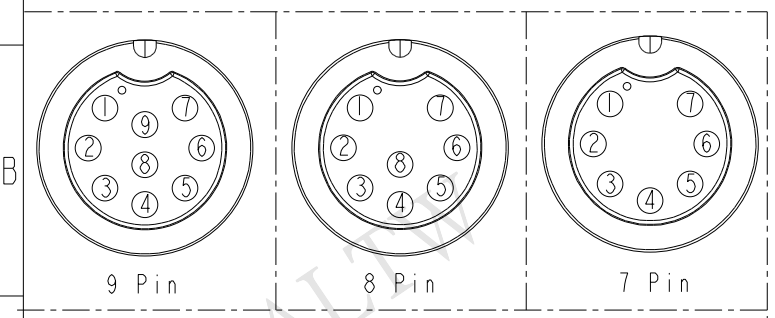
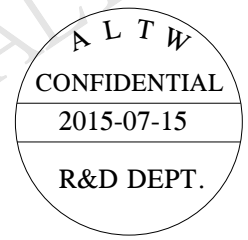
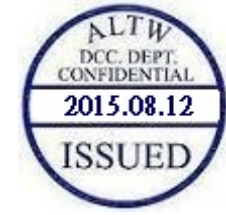


Recommended Panel
Cut-Out

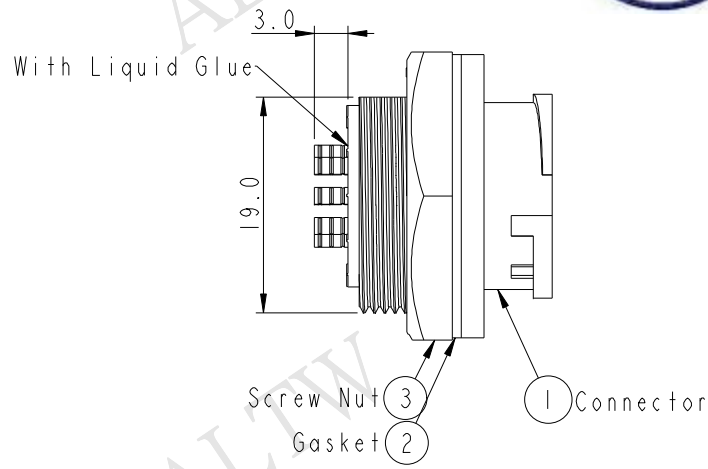


ACD-XXRMFS-LC7001

07: 7Pin
09: 9Pin



Pin Assignments Front View



- Note:
- * (Circled 1) Important Dimension To Check.
 - * Waterproof Rate: IP67
 - * Housing: Nylon+GF, Black
 - * Female Pin: Copper Alloy, Gold Plated
 - * Screw Nut: Nylon+GF, Black
 - * Gasket: Silicone, Gray
 - * Maximum Panel Thickness: 4.0mm

UNIT: mm		TITLE MIDDLE PANEL LOCK M CONN F PIN		
		SCALE 3:2	SIZE A4	SHEET 1 OF 1
		REV. A	WC-REV. A.1	QC: Inspection item

Amphenol LTW
安費諾亮泰企業股份有限公司

ITEM NO.	DRAWN BY Jinhai	DATE 2015-07-15
DWG NO. ACD-XXRMFS-LC7001	CHECKED BY Rensong	DATE 2015-07-15
CUSTOMER ALTW	APPROVED BY Jerry	DATE 2015-07-15