

Actuator

45-
2131.2110.000



<https://eao.com/p/45-2131.2110.000>

Your product:



45-2131.2110.000 Actuator

FRONT

Front dimension:	Ø 29,5 mm
Front bezel colour:	Silver
Front bezel material:	Metal

MOUNTING

Design:	raised
----------------	--------

OPERATING-/INDICATION PART

Lens illumination:	non illuminative
Lens colour:	Black
Lens shape:	flush
Lens material:	Plastic
Lens optics:	opaque

MECHANICAL CHARACTERISTIC

Weight:	0.04 kg
Switching action:	Momentary
Switching system:	Slow-make switching element
Mechanical lifetime:	500 000 cycles of operation
Operating frequency:	Max. 3 600/h

AMBIENT CONDITION

IP front protection: IP66, IP67, IP69K
Operating temperature: - 25 °C ... + 70 °C
Storage temperature: - 40 °C ... + 80 °C
Shock resistance: According to IEC 60068-2-27: Sinusoidal half-wave 50 g / 11 ms
Climate resistance: During operation according to IEC 60721: 3K6, 3C3, 3S2, 3M6
Vibration resistance: According to IEC 60068-2-6: 20 ... 500 Hz: 5 g

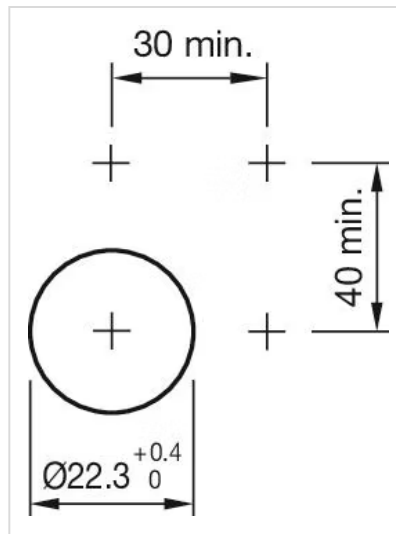
OTHER

Housing colour: Silver

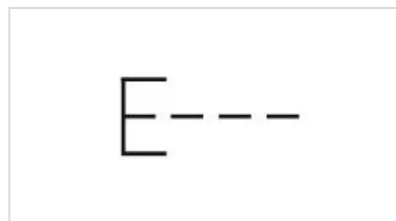
Housing material: Metal

Short Description: Actuator, Ø 29,5 mm, flush, non illuminative, Black, Plastic, opaque, Silver, Metal, Momentary, IP66, IP67, IP69K

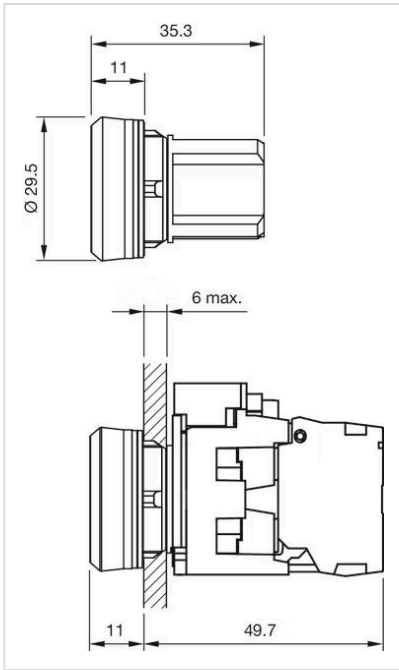
Mounting cut-outs:



Wiring diagrams:



Dimension drawings:



Mouser Electronics

Authorized Distributor

Click to View Pricing, Inventory, Delivery & Lifecycle Information:

[EAO:](#)

[45-2131.2110.000](#)