

# Actuator

45-  
2134.4F90.000



<https://eao.com/p/45-2134.4F90.000>

Your product:

---



## 45-2134.4F90.000 Actuator

### FRONT

<b>Front dimension:</b>	Ø 38 mm
<b>Front bezel colour:</b>	Sand grey
<b>Front bezel material:</b>	Metal

### MOUNTING

<b>Design:</b>	flush
----------------	-------

### OPERATING-/INDICATION PART

<b>Lens illumination:</b>	non illuminative
<b>Lens colour:</b>	White
<b>Lens shape:</b>	flush
<b>Lens material:</b>	Plastic
<b>Lens optics:</b>	opaque

### MECHANICAL CHARACTERISTIC

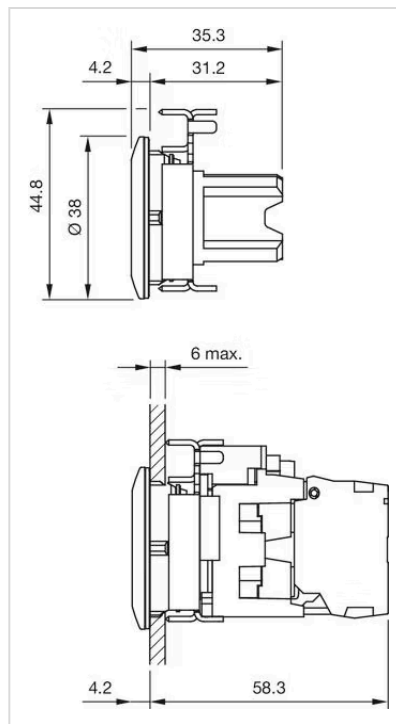
<b>Weight:</b>	0.073 kg
<b>Switching action:</b>	Maintained
<b>Switching system:</b>	Slow-make switching element
<b>Mechanical lifetime:</b>	10 Mio. cycles of operation
<b>Operating frequency:</b>	Max. 1 800/h

### AMBIENT CONDITION

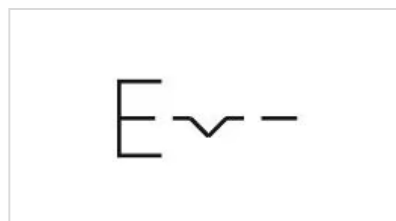
<b>IP front protection:</b>	IP66, IP67, IP69K
<b>Operating temperature:</b>	- 25 °C ... + 70 °C
<b>Storage temperature:</b>	- 40 °C ... + 80 °C
<b>Shock resistance:</b>	According to IEC 60068-2-27: Sinusoidal half-wave 50 g / 11 ms
<b>Climate resistance:</b>	During operation according to IEC 60721: 3K6, 3C3, 3S2, 3M6
<b>Vibration resistance:</b>	According to IEC 60068-2-6: 20 ... 500 Hz: 5 g

**OTHER**

<b>Housing colour:</b>	Silver
<b>Housing material:</b>	Metal
<b>Short Description:</b>	Actuator, Ø 38 mm, flush, non illuminative, White, Plastic, opaque, Sand grey, Metal, Maintained, IP66, IP67, IP69K
<b>Hints:</b>	Push to unlatch
<b>Dimension drawings:</b>	



**Wiring diagrams:**



# Mouser Electronics

Authorized Distributor

Click to View Pricing, Inventory, Delivery & Lifecycle Information:

[EAO:](#)

[45-2134.4F90.000](#)