

220-04 and 220-14 High-Pressure Environmental/Hermetic Jam Nut Receptacle with Accessory Threads, Rear Mount

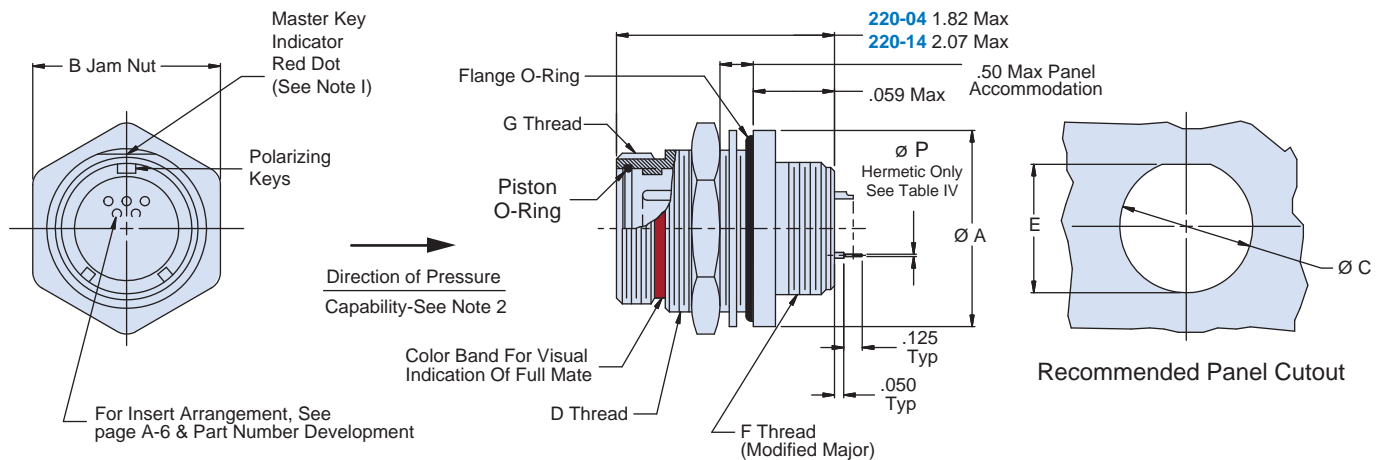
SERIES 22 RECEPTACLE IN STANDARD OR SCOOP-PROOF SHELL WITH PIN OR SOCKET CONTACTS



| How To Order | | | | | |
|-----------------------------------|---|---|-------|---|---|
| Sample Part Number | 220-04 | E | 24-61 | P | N |
| Series and Shell Style | 220-04 - Standard 220-14 - Scoop-Proof | | | | |
| Class | H = Hermetic E = Environmental | | | | |
| Shell Size- Insert Arrangement | See page A-6 | | | | |
| Contact Style | P = Pins S = Sockets C = Pin, P.C. Term (Hermetic Only, See Table VI) D = Socket, P.C. Term (Hermetic Only, See Table VI) | | | | |
| Polarization | N, 1, 2, 3, 4 See page A-6 | | | | |

Prior to use, lubricate O-rings with high grade silicone lubricant (Moly-kote M55 or equivalent).

B



220-04 and 220-14 High-Pressure Environmental/Hermetic Jam Nut Receptacle with Accessory Threads, Rear Mount



Table II: Dimensions

| A Dia | B Flats | C Dia ±.005±(0.1) | D Thread Class 2A |
|-------------|--------------|----------------------|----------------------|
| 1.25 (31.8) | 1.125 (28.6) | .885 (22.5) | 7/8 - 20 UNEF |
| 1.38 (35.1) | 1.250 (31.8) | 1.010 (25.7) | 1 - 20 UNEF |
| 1.50 (38.1) | 1.500 (38.1) | 1.135 (28.8) | 1 1/8 - 16 UN |
| 1.63 (41.4) | 1.625 (41.3) | 1.260 (32.0) | 1 1/4 - 16 UN |
| 1.75 (44.5) | 1.750 (44.5) | 1.385 (35.2) | 1 3/8 - 16 UN |
| 1.88 (47.8) | 1.875 (47.6) | 1.510 (38.4) | 1 1/2 - 16 UN |
| 2.00 (50.8) | 2.000 (50.8) | 1.635 (41.5) | 1 5/8 - 16 UN |
| 2.12 (53.8) | 2.125 (54.0) | 1.760 (44.7) | 1 3/4 - 16 UN |

Table II: Dimensions (continued)

| Shell Size | E ±.005 ±(0.1) | F Thread Class 2A | G Thread Class 2A |
|------------|-------------------|----------------------|----------------------|
| 10 | .835 (21.2) | 5/8 - 24 UNEF | .750 - .1P - .1L |
| 12 | .960 (24.4) | 3/4 - 20 UNEF | .875 - .1P - .1L |
| 14 | 1.085 (27.6) | 7/8 - 20 UNEF | 1.000 - .1P - .1L |
| 16 | 1.210 (30.7) | 1 - 20 UNEF | 1.125 - .1P - .1L |
| 18 | 1.335 (33.9) | 1 1/8 - 16 UN | 1.250 - .1P - .1L |
| 20 | 1.460 (37.1) | 1 1/4 - 16 U N | 1.375 - .1P - .1L |
| 22 | 1.585 (40.3) | 1 3/8 - 16 UN | 1.500 - .1P - .1L |
| 24 | 1.710 (43.4) | 1 1/2 - 16 UN | 1.625 - .1P - .1L |

Table IV

| Contact Size | Ø P |
|--------------|------------------|
| 22D | 0.021 0.018 |
| 20 | 0.024 0.028 |
| 16 | 0.0635 0.0615 |
| 12 | 0.095 0.093 |

Table V: Replacement O-Ring
Part Numbers *

| Shell Size | Piston O-Ring | Flange O-Ring |
|------------|---------------|---------------|
| 10 | 2-014 | 2-021 |
| 12 | 2-016 | 2-023 |
| 14 | 2-018 | 2-025 |
| 16 | 2-020 | 2-027 |
| 18 | 2-022 | 2-029 |
| 20 | 2-024 | 2-030 |
| 22 | 2-026 | 2-031 |
| 24 | 2-028 | 2-032 |

* Parker O-ring part numbers. Compound N674-70 or equivalent.



Mouser Electronics

Authorized Distributor

Click to View Pricing, Inventory, Delivery & Lifecycle Information:

Glenair:

[220-04E12-22PN](#) [220-14E10-6SN-349](#) [220-04E10-13SN](#) [220-04E22-55PN](#) [220-14E12-22PN](#) [220-04E10-13PN](#)
[220-04E10-4PN](#) [220-04E12-8PN](#) [220-04E14-12SN](#) [220-04E14-4PN](#) [220-04E24-100SN](#) [220-04E24-128PN](#) [220-](#)
[14E12-8PN](#) [220-14E16-55P1](#) [220-14E16-55PN](#) [220-14E16-6SN](#) [220-04E20-11PN](#) [220-14E10-6SN](#) [220-04E12-](#)
[10PN](#) [220-14H22-55PN](#) [220-14E14-37P1](#) [220-14E10-13PN](#) [220-14E14-37PN](#) [220-04E10-6PN](#) [220-14E12-10SN](#)
[220-04E10-13SN-491](#) [220-04E14-12PN-491](#) [220-04H10-4P1](#) [220-04H14-12P1](#) [220-04H14-12PN](#) [220-04H14-19PN](#)
[220-04H20-79PN](#) [220-14E16-55SN](#) [220-14E18-66PN](#) [220-14E20-79PN](#) [220-14E24-100SN](#) [220-04H12-22PN](#) [220-](#)
[04H10-4PN](#)