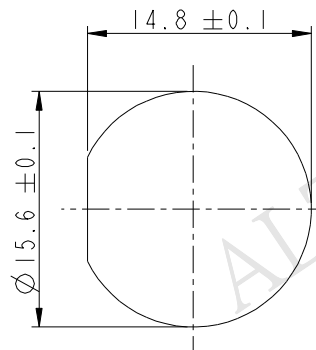


REV.	ECN NO.	DATE	SIGN	DESCRIPTION



Recommended Panel Cut-Out

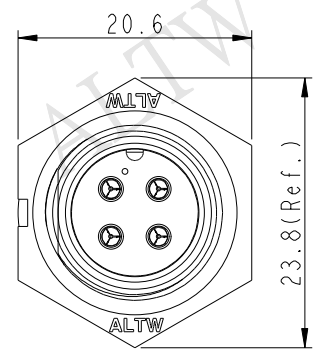
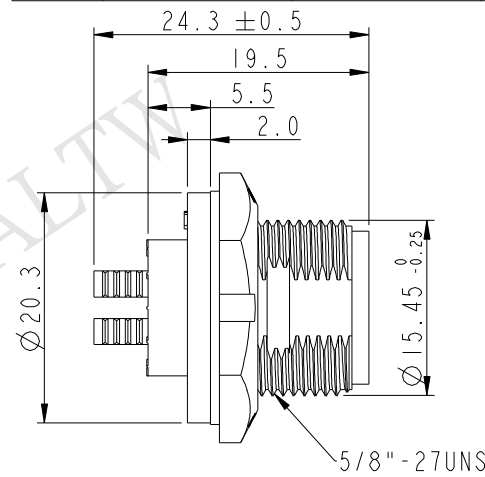
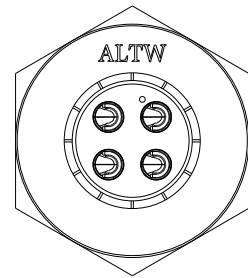
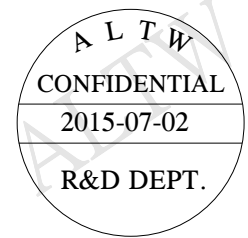
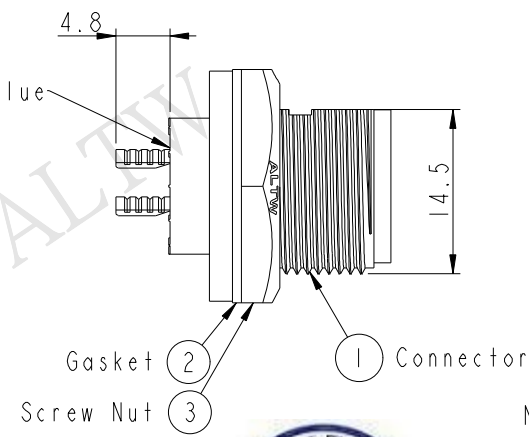
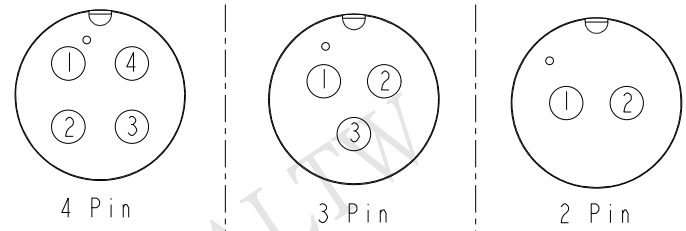


ABB-XXPMMS-SC7001
 02: 2Pin
 04: 4Pin

With Liquid Glue



- Note:
- * (QC) Important Dimension To Check.
 - * Waterproof Rate: IP67
 - * Housing: Nylon+GF, Black
 - * Male Pin: Copper Alloy, Gold Plated
 - * Gasket: Silicone, Gray
 - * Screw Nut: Nylon+GF, Black
 - * Use with waterproof cap or dust cap
Maximum Panel Thickness: 3.3mm
 - * Use without waterproof cap or dust cap
Maximum Panel Thickness: 4.5mm



Pin Assignments Front View

UNIT: mm		TITLE STANDARD PANEL SCREW M CONN M PIN		
TOLERANCE		SCALE	SIZE	SHEET
.X ±0.25		2:1	A4	1 OF 1
.XX ±0.1		REV.	WC-REV.	
.XXX ±0.05		A	A.1	(QC): Inspection item
ANGLES ±1°				

Amphenol LTW
 安費諾亮泰企業股份有限公司

ITEM NO.	DRAWN BY	DATE
	Jinhai	2015-07-02
DWG NO.	CHECKED BY	DATE
ABB-XXPMMS-SC7001	Rensong	2015-07-02
CUSTOMER	APPROVED BY	DATE
ALTW	Jerry	2015-07-02

THIS DOCUMENT IS SUBJECT TO CHANGE WITHOUT NOTICE. IT IS CONFIDENTIAL AND A PROPERTY OF Amphenol LTW. DISCLOSURE TO THIRD PARTY HAS TO BE AUTHORIZED BY Amphenol LTW.