



Main

Range of Product	Harmony 9001SK
Product or Component Type	Selector switch
Device short name	9001SK
Type of operator	Left to centre spring return
Operator profile	Black long handle

Complementary

Bezel material	Plastic
Mounting diameter	1.18 in (30 mm)
Net Weight	0.13 lb(US) (0.059 kg)
Shape of signaling unit head	Octagonal
Operator position information	3 positions
Contacts type and composition	Without contact block
Mechanical durability	500000 cycles
Product compatibility	9001KA1 side 1 or 2
Device presentation	Basic element

Environment

Protective treatment	TC
Ambient Air Temperature for Storage	-40...158 °F (-40...70 °C)
Ambient air temperature for operation	-13...158 °F (-25...70 °C)
Electrical shock protection class	Class II IEC 61140
IP degree of protection	IP66 IEC 60529
NEMA degree of protection	NEMA 1 NEMA 12 NEMA 13 NEMA 2 NEMA 3 NEMA 3R NEMA 4 NEMA 4X NEMA 6
Standards	EN/IEC 60947-5-4 CSA C22.2 No 14 UL 508 JIS C 852 EN/IEC 60947-5-1 EN/IEC 60947-1 JIS C 4520
Product Certifications	UL 508 NEMA
Vibration resistance	7 gn 2...500 Hz)IEC 60068-2-6
Shock resistance	50 gn IEC 60068-2-27

Ordering and shipping details

Category	21429 - 9001 SK,SKY
Discount Schedule	CS1
GTIN	3389118036055
Nbr. of units in pkg.	1
Package weight(Lbs)	3.20 oz (90.719 g)
Returnability	No
Country of origin	MX

Packing Units

Unit Type of Package 1	PCE
Package 1 Height	2.00 in (5.08 cm)
Package 1 width	2.80 in (7.112 cm)
Package 1 Length	2.50 in (6.35 cm)

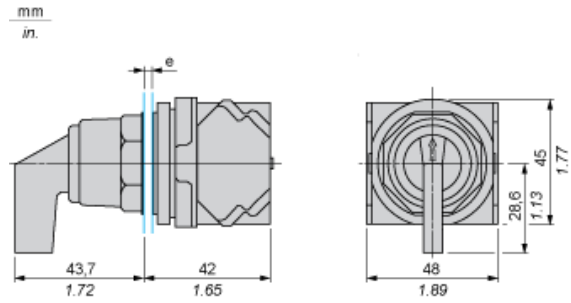
Offer Sustainability

Sustainable offer status	Green Premium product
California proposition 65	WARNING: This product can expose you to chemicals including: Nickel compounds, which is known to the State of California to cause cancer, and Di-isodecyl phthalate (DIDP), which is known to the State of California to cause birth defects or other reproductive harm. For more information go to www.P65Warnings.ca.gov
REACH Regulation	REACH Declaration
REACH free of SVHC	Yes
EU RoHS Directive	Pro-active compliance (Product out of EU RoHS legal scope) EU RoHS Declaration
Toxic heavy metal free	Yes
Mercury free	Yes
RoHS exemption information	Yes
China RoHS Regulation	China RoHS Declaration
Environmental Disclosure	Product Environmental Profile
WEEE	The product must be disposed on European Union markets following specific waste collection and never end up in rubbish bins.

Contractual warranty

Warranty	18 months
----------	-----------

Dimensions



e panel thickness: 1 to 6 mm / 0.04 to 0.24 in.

Contact Block Mounting Position

Top and Rear views



- (1) It is possible to mount up to 3 levels of contacts blocks (maximum of 6 contacts blocks)
- (2) Operator
- (3) Locating notch
- (4) Side 1
- (5) Side 2