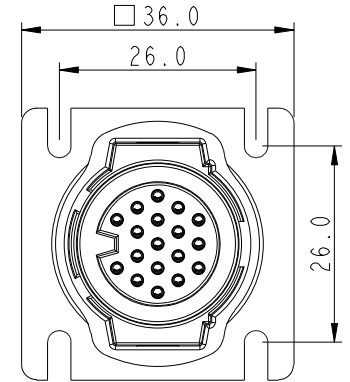
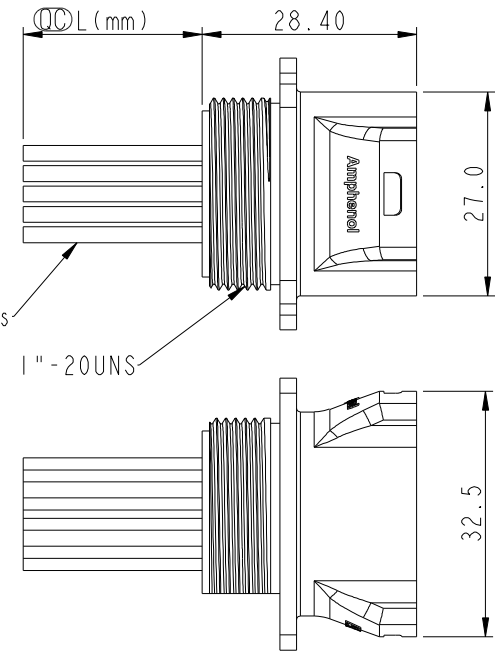
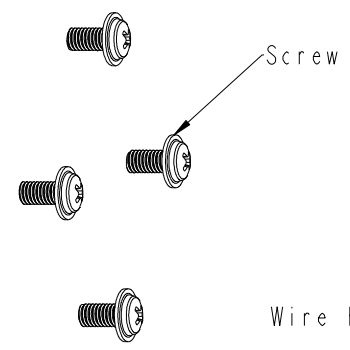
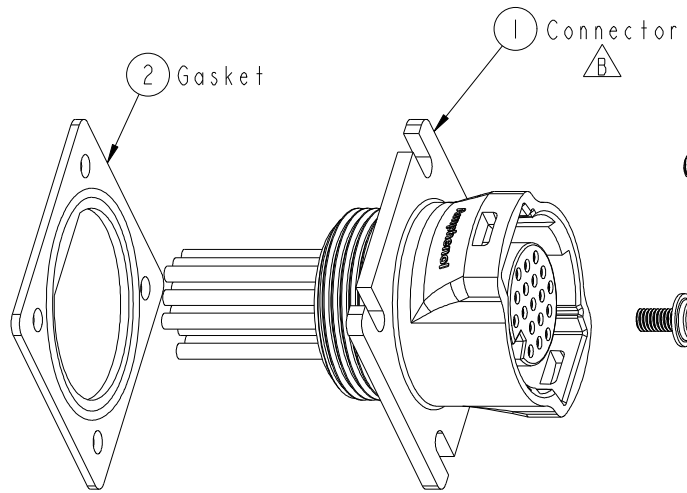
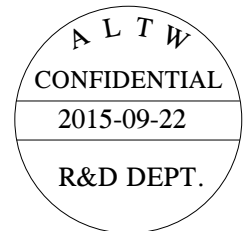
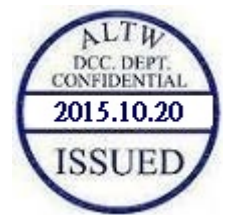
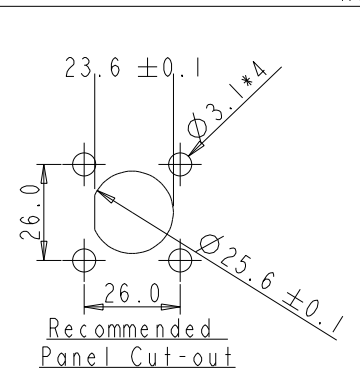
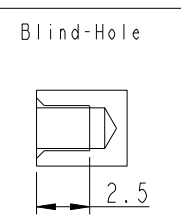
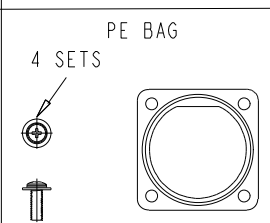


REV.	ECN NO.	DATE	SIGN	DESCRIPTION
B	LE315A0080~83	2015/09/22	Joyy	Update The Drawing



DD-XXRFFC-RS7BXX

- Large Size Current Rating 5A
- XX:No. Of Pin (Pin 數)
- R:Panel Rear Mounting (後續嵌面板式)
- F:Female Connector (母座)
- F:Female Pin (母Pin)
- C: Crimp Type (壓線組裝式)
- BXX : 100~1000mm
- B10 : 100mm
- B20 : 200mm
- ...
- B01 : 1000mm
- B: UL 1430
- 7: IP67 (防水等級 67)
- S: Square (方座)
- R: Snap In With Latch (彈臂卡合)



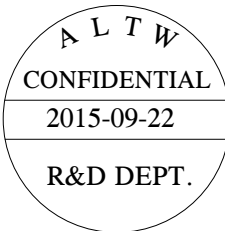
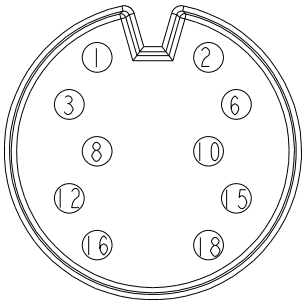
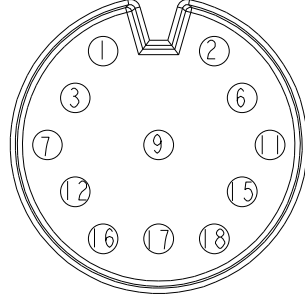
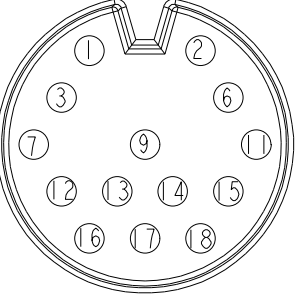
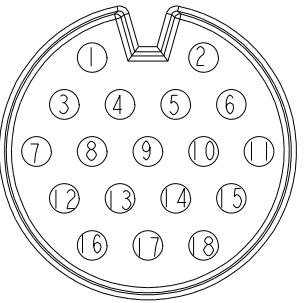



- Note:
- \* (⊙) Important Dimension To Check.
  - \* Waterproof Rate: IP67
  - \* Housing: M-PPE, Black.
  - \* Female Pin: Copper Alloy, Gold Plated.
  - \* Gasket: Silicone, Gray.
  - \* Wire harness: UL1430 20#
  - \* Blind holes for the screws used M3X0.5mm
  - \* Blind Hole Size M3X0.5mm
  - \* Screw Torque: 1.5~2kgf.cm
  - \* Wire harness Tolerance: 100~300 ±15mm  
301~1000 ±20mm
  - \* Prohibiting the use of place in oils

UNIT:mm		TITLE	LARGE PANEL RBL F CONN F PIN		
TOLERANCE	±0.5	SCALE	1:1	SIZE	A4
		REV.	B	WC-REV.	A.1
					QC: Inspection item

**Amphenol LTW**  
安費諾亮泰企業股份有限公司

ITEM NO	DRAWN BY	DATE
	Joyy	2015-09-22
DWG NO	CHECKED BY	DATE
DD-XXRFFC-RS7BXX	Lu Di	2015-09-22
CUSTOMER	APPROVED BY	DATE
ALTW	Jerry	2015-09-22

THIS DOCUMENT IS SUBJECT TO CHANGE WITHOUT NOTICE. IT IS CONFIDENTIAL AND A PROPERTY OF Amphenol LTW. DISCLOSURE TO THIRD PARTY HAS TO BE AUTHORIZED BY Amphenol LTW.

△ B								
Pin Out	18 Purple(紫) 17 -- 16 Brown(棕) 15 Orange(橘) 14 -- 13 -- 12 Yellow(黃) 11 -- 10 Gray(灰) 9 -- 8 Red(紅) 7 -- 6 Green(綠) 5 -- 4 -- 3 Blue(藍) 2 White(白) 1 Black(黑)	18 Black/White(黑/白) 17 Orange(橘) 16 Pink(粉紅) 15 Gray(灰) 14 -- 13 -- 12 Purple(紫) 11 Yellow(黃) 10 -- 9 Green(綠) 8 -- 7 White(白) 6 Brown(棕) 5 -- 4 -- 3 Blue(藍) 2 Black(黑) 1 Red(紅)	18 Black/White(黑/白) 17 Brown/White(棕/白) 16 Light Green(淺綠) 15 Pink(粉紅) 14 Purple(紫) 13 Brown(棕) 12 Orange(橘) 11 Yellow(黃) 10 -- 9 Gray(灰) 8 -- 7 Red(紅) 6 Green(綠) 5 -- 4 -- 3 Blue(藍) 2 White(白) 1 Black(黑)	18 Light Green(淺綠) 17 Green/White(綠/白) 16 Orange/White(橘/白) 15 Brown/White(棕/白) 14 Blue/White(藍/白) 13 Black/White(黑/白) 12 Red/White(紅/白) 11 Orange(橘) 10 Pink(粉紅) 9 Gray(灰) 8 Purple(紫) 7 Yellow(黃) 6 Green(綠) 5 White(白) 4 Brown(棕) 3 Blue(藍) 2 Black(黑) 1 Red(紅)				
Pin Assignments Front View	 10Pin	 12Pin	 14Pin	 18Pin				
UNIT:mm	 		TITLE LARGE PANEL RBL F CONN F PIN		ITEM NO DD-XXRFFC-RS7BXX		DRAWN BY Joyy	DATE 2015-09-22
TOLERANCE ±0.5		SCALE 1:1	SIZE A4	SHEET 2 OF 2	<h1 style="margin: 0;">Amphenol LTW</h1> <h2 style="margin: 0;">安費諾亮泰企業股份有限公司</h2>		CHECKED BY Lu Di	DATE 2015-09-22
		REV. B	WC-REV. A.1	(QC): Inspection item	CUSTOMER ALTW	APPROVED BY Jerry	DATE 2015-09-22	
								8 FMM10702-01-02A1