

Actuator

45-
2231.11H0.000



<https://eao.com/p/45-2231.11H0.000>

Your product:



45-2231.11H0.000 Actuator

FRONT

| | |
|------------------------------|-----------|
| Front dimension: | Ø 29,5 mm |
| Front bezel colour: | Black |
| Front bezel material: | Plastic |

MOUNTING

| | |
|----------------|--------|
| Design: | raised |
|----------------|--------|

OPERATING-/INDICATION PART

| | |
|-----------------------------|--------------|
| Lens illumination: | illuminative |
| Lens colour: | Green |
| Lens shape: | flush |
| Lens material: | Plastic |
| Lens optics: | transparent |
| Illumination colour: | Green |

MECHANICAL CHARACTERISTIC

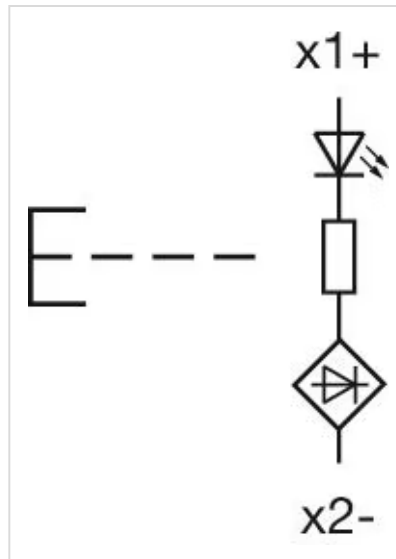
| | |
|-----------------------------|-----------------------------|
| Weight: | 0.018 kg |
| Switching action: | Momentary |
| Switching system: | Slow-make switching element |
| Mechanical lifetime: | 3 Mio. cycles of operation |
| Operating frequency: | Max. 3 600/h |

AMBIENT CONDITION

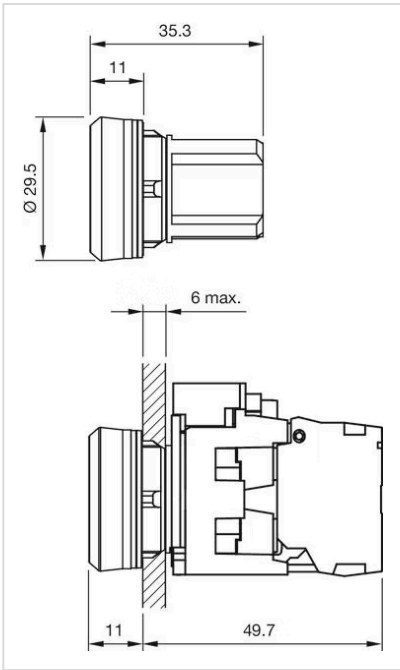
| | |
|-------------------------------|--|
| IP front protection: | IP66, IP67, IP69K |
| Operating temperature: | - 25 °C ... + 70 °C |
| Storage temperature: | - 40 °C ... + 80 °C |
| Climate resistance: | During operation according to IEC 60721: 3K6, 3C3, 3S2, 3M6 |
| Shock resistance: | According to IEC 60068-2-27: Sinusoidal half-wave 50 g / 11 ms |
| Vibration resistance: | According to IEC 60068-2-6: 20 ... 500 Hz: 5 g |

OTHER

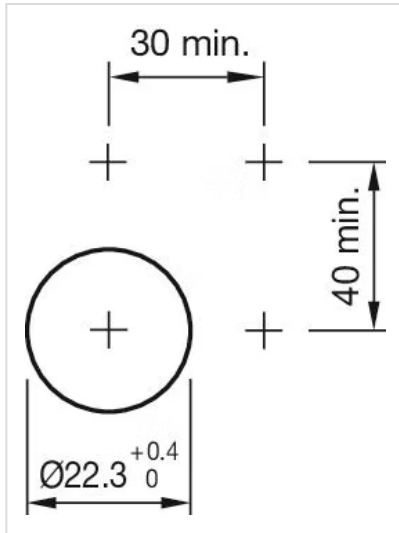
| | |
|---------------------------|--|
| Housing colour: | Black |
| Housing material: | Plastic |
| Short Description: | Actuator, Ø 29,5 mm, flush, illuminative, Green, Plastic, transparent, Black, Plastic, Momentary, IP66, IP67, IP69K, Green |
| Wiring diagrams: | |



Dimension drawings:



Mounting cut-outs:



Mouser Electronics

Authorized Distributor

Click to View Pricing, Inventory, Delivery & Lifecycle Information:

[EAO:](#)

[45-2231.11H0.000](#)