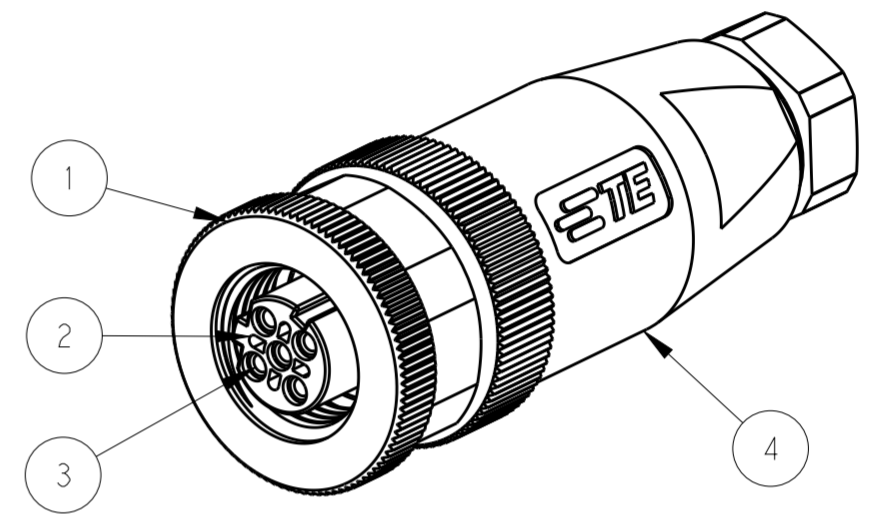
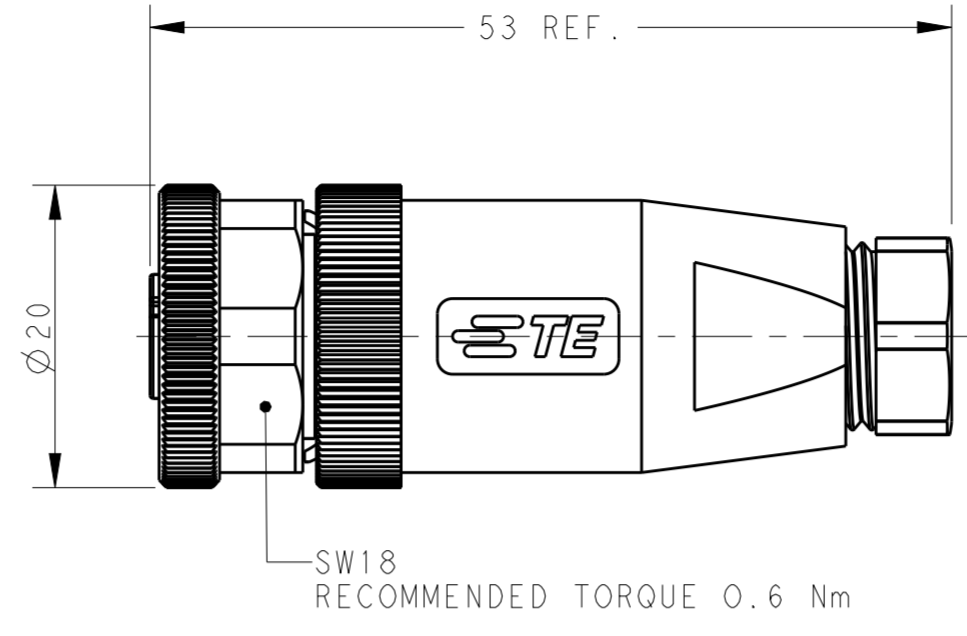
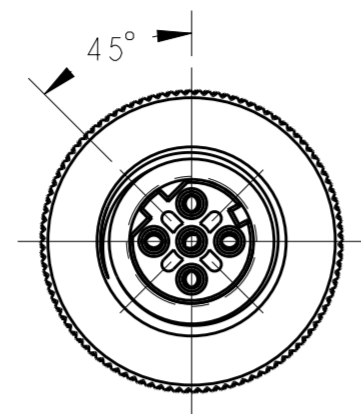


THIS DRAWING IS UNPUBLISHED. RELEASED FOR PUBLICATION 20
 © COPYRIGHT 20 BY - ALL RIGHTS RESERVED.

REVISIONS				
P	LTR	DESCRIPTION	DATE	APVD
A		INITIAL RELEASE	08JUL2015	NP XX
A1		ECR-15-018715 ADD 114 SPEC.	29DEC2015	NP XX



TECHNICAL DATA	T411050X02X-000	T411050X03X-000	T411050X04X-000	T411050X05X-000
RATED VOLTAGE	250V	250V	250V	60V
RATED CURRENT	4A	4A	4A	4A
POLLUTION DEGREE	3	3	3	3
OVERVOLTAGE CATEGORY	II	II	II	II
MATERIAL GROUP	II	II	II	II
CONTACT RESISTANCE	≤8mΩ	≤8mΩ	≤8mΩ	≤8mΩ
INSULATION RESISTANCE	>100MΩ	>100MΩ	>100MΩ	>100MΩ
DEGREE OF PROTECTION	IP67	IP67	IP67	IP67
OPERATION TEMPERATURE	-40~85°C	-40~85°C	-40~85°C	-40~85°C

NOTE:
 1. MATERIAL:
 ITEM NO.1:NUT -BRASS
 ITEM NO.2:HOUSING -PA
 ITEM NO.3:CONTACT -BRONZE
 ITEM NO.4: HOUSING BODY: -PBT+GF
 2. CONTACT FINISH:
 GOLD OVER NICKEL OR SILVER OVER NICKEL
 3. CABLE WIRES:
 18AWG/0.75mm² Max. FOR 2-5 PINS
 4. ALLDIMENSIONS ARE FOR NOMINAL REFERENCE ONLY UNLESS OTHERWISE STATED
 5. PACKAGEING: 1PIECE IN A BAG
 6. PN INFORMATION

PIN ARRANGEMENT D-CODE

T411050X02X-000	T411050X03X-000	T411050X04X-000
T411050X05X-000		

T4110502051-000	RPC-M12D-FS-5CON-PG9-MU
T4110501051-000	RPC-M12D-FS-5CON-PG7-MU
T4110502052-000	RPC-M12D-FS-5CON-PG9-M
T4110501052-000	RPC-M12D-FS-5CON-PG7-M
T4110502041-000	RPC-M12D-FS-4CON-PG9-MU
T4110501041-000	RPC-M12D-FS-4CON-PG7-MU
T4110502042-000	RPC-M12D-FS-4CON-PG9-M
T4110501042-000	RPC-M12D-FS-4CON-PG7-M
T4110502031-000	RPC-M12D-FS-3CON-PG9-MU
T4110501031-000	RPC-M12D-FS-3CON-PG7-MU
T4110502032-000	RPC-M12D-FS-3CON-PG9-M
T4110501032-000	RPC-M12D-FS-3CON-PG7-M
T4110502021-000	RPC-M12D-FS-2CON-PG9-MU
T4110501021-000	RPC-M12D-FS-2CON-PG7-MU
T4110502022-000	RPC-M12D-FS-2CON-PG9-M
T4110501022-000	RPC-M12D-FS-2CON-PG7-M
TE PN	SIBAS PN

T411050XXXX-000
 CONTACT FINISH:
 1: GOLD OVER NICKEL
 2: SILVER OVER NICKEL
 NUMBERS OF PINS:
 02: 2 PINS
 03: 3 PINS
 04: 4 PINS
 05: 5 PINS
 08: 8 PINS
 CABLE OUTLET:
 1: PG7(CABLE FEED: 4-6mm)
 2: PG9(CABLE FEED: 6-8mm)
 BRAND:
 T: W/ TE LOGO
 N: W/O LOGO

THIS DRAWING IS A CONTROLLED DOCUMENT.		DWN HAO WANG 08JAN2015	TE Connectivity	
		CHK KOBBY ZHAO 08JAN2015		
		APVD XIANG XU 08JAN2015	NAME M12 FEMALE, D CODE, STRAIGHT UNSHIELDED CONNECTOR SCREW TERMINAL	
DIMENSIONS: mm		TOLERANCES UNLESS OTHERWISE SPECIFIED: 0 PLC ±0.2 1 PLC ±0.2 2 PLC ±0.2 3 PLC ± 4 PLC ± ANGLES ±	PRODUCT SPEC 108-106140	SIZE A2
MATERIAL -		FINISH -	APPLICATION SPEC 114-137144	CAGE CODE -
			WEIGHT -	DRAWING NO. C-T411050XXXX000
			CUSTOMER DRAWING	RESTRICTED TO -
			SCALE 1:1	SHEET 1 OF 1 REV A1