

QPD W4X2,5 9-14 M25 DT GY - Panel feed-through



1424006

<https://www.phoenixcontact.com/us/products/1424006>

Please be informed that the data shown in this PDF document is generated from our online catalog. Please find the complete data in the user documentation. Our general terms of use for downloads are valid.



Panel feed-through, product family: QPD, connection method: Push-in connection/ IDC connection, M25, Pin, 1 mm² ... 2.5 mm², 690 V, 20 A, PA, gray, with QUICKON nut, coding: coded, external cable diameter: 9 mm ... 14 mm, 2.5 mm²

Your advantages

- Innovative and time saving - QUICKON fast connection for time saving of up to 80 % for on-site connection
- Robust throughout: housing with IP68/IP69K and IK07 protection for a wide range of applications
- Safer connection with mechanical coding to protect against mismatching, and touch-proof protection in accordance with DIN EN 0105
- Efficient - by using panel feed-throughs, devices no longer need to be opened in order to connect cables

Commercial data

Item number	1424006
Packing unit	1 pc
Minimum order quantity	1 pc
Sales key	BF50
Product key	BF6ABB
GTIN	4055626366227
Weight per piece (including packing)	45.1 g
Weight per piece (excluding packing)	45.1 g
Customs tariff number	85366990
Country of origin	PL

QPD W4X2,5 9-14 M25 DT GY - Panel feed-through



1424006

<https://www.phoenixcontact.com/us/products/1424006>

Technical data

Product properties

Product type	Panel feed-through
Product family	QPD
Type	QPD 4x2,5
Number of positions	4
Position marking	1, 2, 3, 4
Number of connections	10
Number of connections per position	1
Coding	coded

Data management status

Article revision	02
------------------	----

Insulation characteristics

Overvoltage category	III
Degree of pollution	3

Connection data

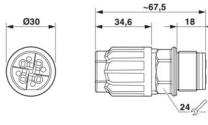
Connection technology

Connection method On the device side	Push-in connection
Connection method On the field side	IDC connection
Frequency of connections between conductors of the same cross section	max. 10 10

Conductor connection

Conductor cross section flexibel	1 mm ² ... 2.5 mm ²
Conductor cross section solid	1 mm ² ... 2.5 mm ²
Connection cross section AWG	16 ... 14
Tightening torque Union nut	10 Nm
Tightening torque Locking nut	5 Nm

Dimensions

Dimensional drawing	
Width	30 mm
Height	30 mm
Length	67.5 mm
Diameter	30 mm

Electrical properties

QPD W4X2,5 9-14 M25 DT GY - Panel feed-through



1424006

<https://www.phoenixcontact.com/us/products/1424006>

Rated surge voltage (II/2)	6 kV
Rated surge voltage (III/2)	6 kV
Rated surge voltage (III/3)	6 kV
Rated current	20 A
Contact resistance	< 3 mΩ
rated voltage (II/2)	1000 V
rated voltage (III/2)	690 V
Rated voltage (III/3)	690 V
Nominal voltage U_N	690 V AC
	690 V DC
Nominal current I_N	20 A

Mechanical properties

Mechanical data

Insertion/withdrawal cycles	max. 50
-----------------------------	---------

Material specifications

Color	light gray (RAL 7035)
Material Housing	PA
Material Contact	Cu
Material Contact surface	silver-plated
Flammability rating according to UL 94	V0
Material wire insulation	PVC/PE/TPE/rubber

Cable/line

Structure of individual litz in acc. with VDE 0295 / smallest wire diameter	VDE 0295 class 1 to 6/min. 0.15 mm
External cable diameter	9 mm ... 14 mm
Wire diameter including insulation	2 mm ... 3.6 mm
Position marking	1, 2, 3, 4
Cable cross section	2.5 mm ²
Material wire insulation	PVC/PE/TPE/rubber
Halogen-free	yes

Mounting

Mounting type	Front mounting M25
---------------	--------------------

Environmental and real-life conditions

Ambient conditions

Degree of protection	IP66
	IP68 (2 m / 24 h)
	IP69K
	Touch-proof when not plugged in (IP2X)
Impact strength	IK07

QPD W4X2,5 9-14 M25 DT GY - Panel feed-through



1424006

<https://www.phoenixcontact.com/us/products/1424006>

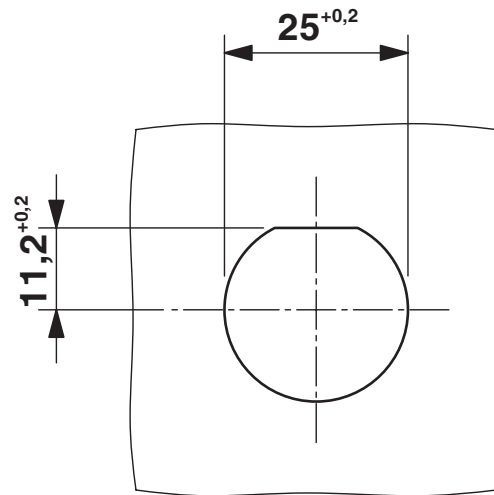
Ambient temperature (operation)	-40 °C ... 100 °C
Temperature when conductor connected	-5 °C ... 50 °C
Ambient temperature (storage/transport)	-40 °C ... 100 °C

1424006

<https://www.phoenixcontact.com/us/products/1424006>

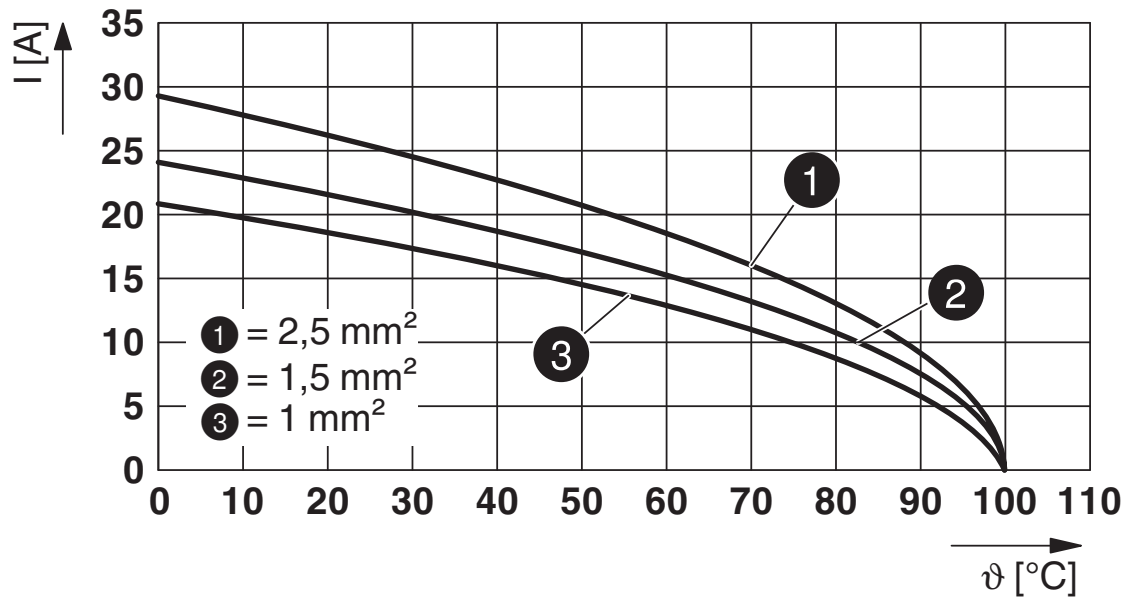
Drawings

Dimensional drawing



Panel cutout

Diagram



Derating diagram

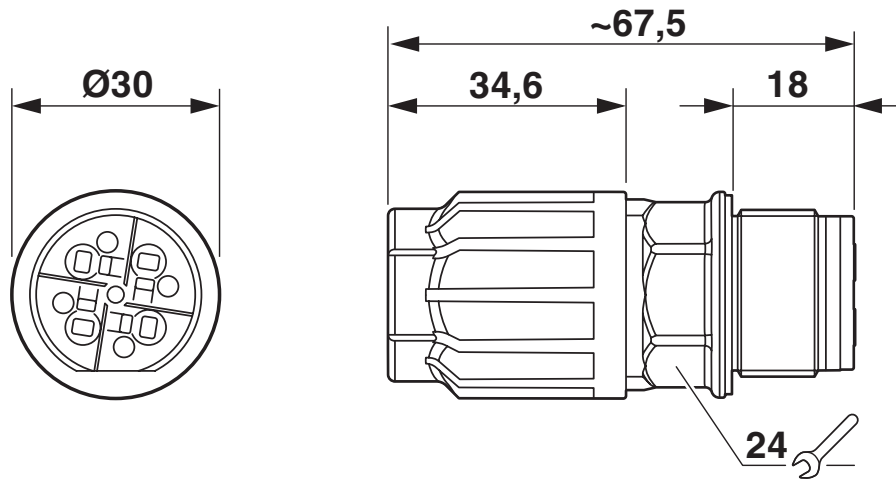
QPD W4X2,5 9-14 M25 DT GY - Panel feed-through



1424006

<https://www.phoenixcontact.com/us/products/1424006>

Dimensional drawing



QPD W4X2,5 9-14 M25 DT GY - Panel feed-through



1424006

<https://www.phoenixcontact.com/us/products/1424006>

Approvals

To download certificates, visit the product detail page: <https://www.phoenixcontact.com/us/products/1424006>



IECEE CB Scheme
Approval ID: DE1-65875



EAC
Approval ID: RU C-DE.BL08.B.00511



VDE Zeichengenehmigung
Approval ID: 40029149

	Nominal voltage U_N	Nominal current I_N	Cross section AWG	Cross section mm^2
Only flexible conductors	400 V	20 A	-	1.5 - 2.5
Only rigid conductors	690 V	20 A	-	1.5 - 2.5



UL Listed
Approval ID: E468743

	Nominal voltage U_N	Nominal current I_N	Cross section AWG	Cross section mm^2
	600 V	15 A	-	- 14



cUL Listed
Approval ID: E468743

	Nominal voltage U_N	Nominal current I_N	Cross section AWG	Cross section mm^2
	600 V	15 A	- 14	-

cULus Listed

QPD W4X2,5 9-14 M25 DT GY - Panel feed-through



1424006

<https://www.phoenixcontact.com/us/products/1424006>

Classifications

ECLASS

ECLASS-11.0	27440602
ECLASS-12.0	27440602
ECLASS-13.0	27440602

ETIM

ETIM 9.0	EC002566
----------	----------

UNSPSC

UNSPSC 21.0	39121500
-------------	----------

QPD W4X2,5 9-14 M25 DT GY - Panel feed-through



1424006

<https://www.phoenixcontact.com/us/products/1424006>

Environmental product compliance

EU RoHS

Fulfills EU RoHS substance requirements	Yes, No exemptions
---	--------------------

China RoHS

Environment friendly use period (EFUP)	EFUP-E
	No hazardous substances above the limits

EU REACH SVHC

REACH candidate substance (CAS No.)	No substance above 0.1 wt%
-------------------------------------	----------------------------

Phoenix Contact 2024 © - all rights reserved
<https://www.phoenixcontact.com>

Phoenix Contact USA
586 Fulling Mill Road
Middletown, PA 17057, United States
(+717) 944-1300
info@phoenixcon.com