

Actuator

45-
2N42.1010.000



<https://eao.com/p/45-2N42.1010.000>

Your product:



45-2N42.1010.000 Actuator

FRONT

Front dimension:	Ø 29,5 mm
Front bezel colour:	Black
Front bezel material:	Plastic

MOUNTING

Design:	raised
----------------	--------

OPERATING-/INDICATION PART

Lever colour:	Black
Lever material:	plastic

MECHANICAL CHARACTERISTIC

Weight:	0.019 kg
Switching action:	Maintained
Mechanical lifetime:	1 Mio. cycles of operation
Operating frequency:	1 800/h

AMBIENT CONDITION

Shock resistance:	According to IEC 60068-2-27: Sinusoidal half-wave 50 g / 11 ms
IP front protection:	IP66, IP67, IP69K
Operating temperature:	- 25 °C ... + 70 °C
Storage temperature:	- 40 °C ... + 80 °C

Climate resistance:

During operation according to IEC 60721: 3K6, 3C3, 3S2, 3M6

Vibration resistance:

According to IEC 60068-2-6: 10 ... 500 Hz: 5 g

OTHER

Housing material:

Plastic

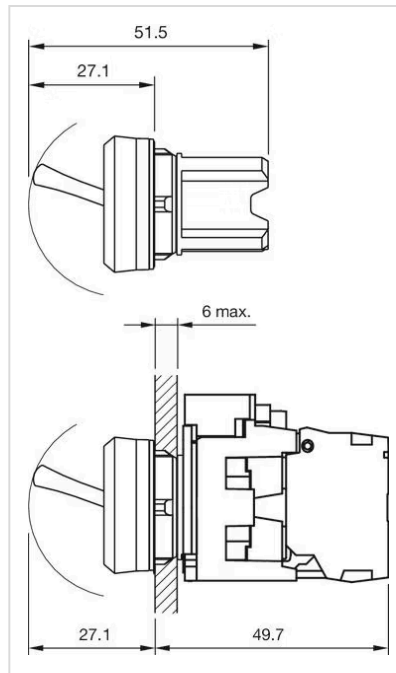
Short Description:

Actuator, Ø 29,5 mm, Black, Black, Plastic, Maintained, IP66, IP67, IP69K

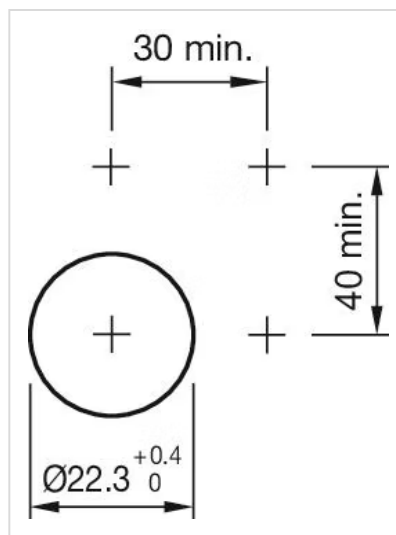
Hints:

Reset from above

Dimension drawings:



Mounting cut-outs:



Wiring diagrams:

E-v-

Mouser Electronics

Authorized Distributor

Click to View Pricing, Inventory, Delivery & Lifecycle Information:

[EAO:](#)

[45-2N42.1010.000](#)