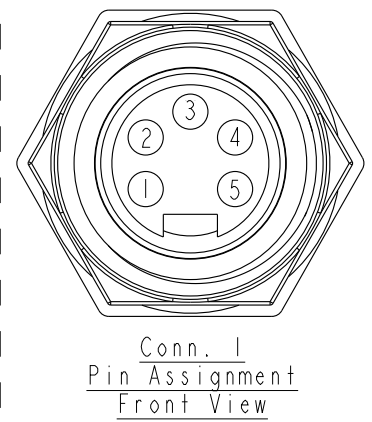
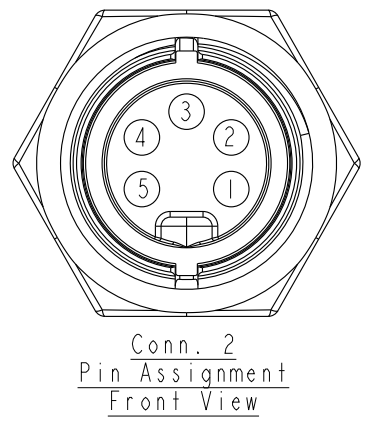
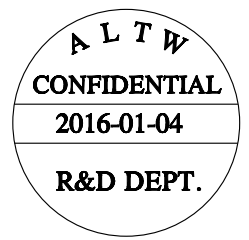
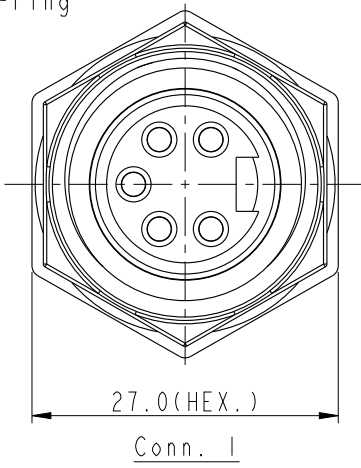
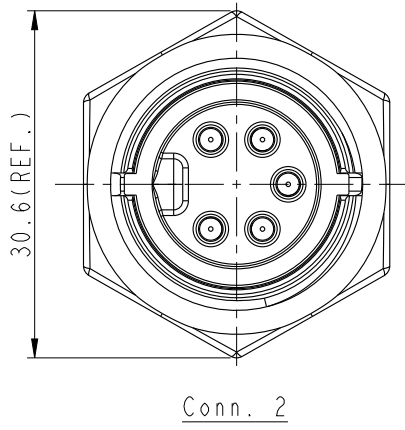
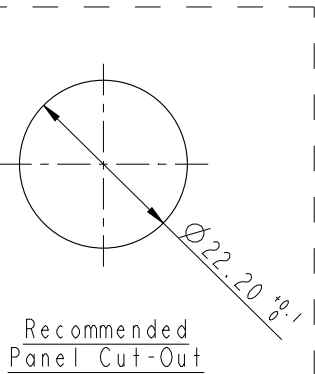
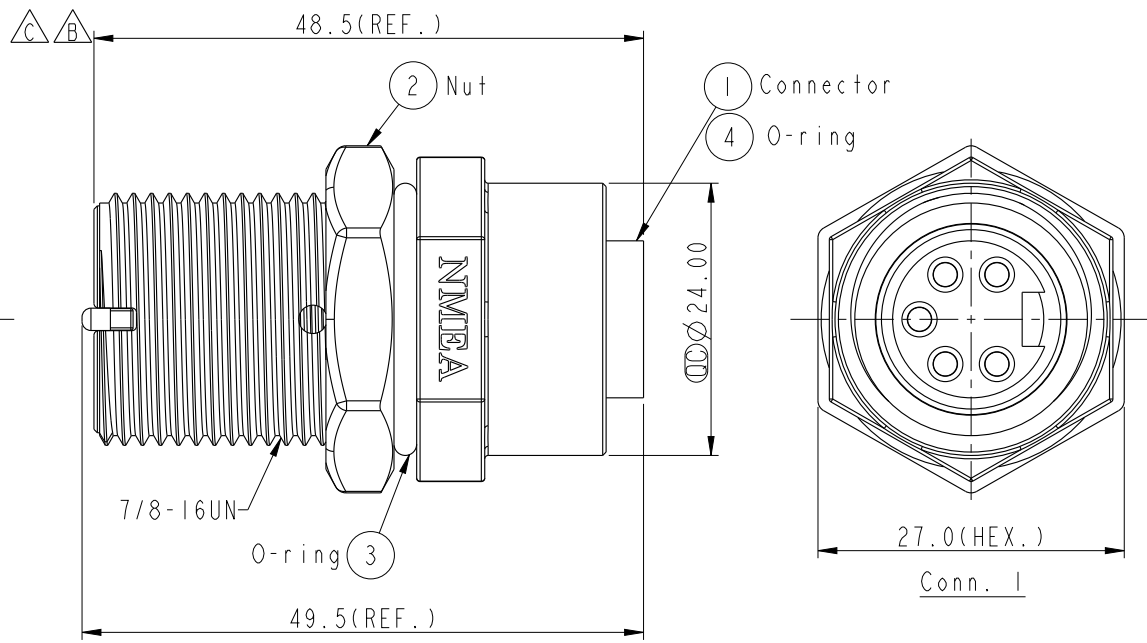
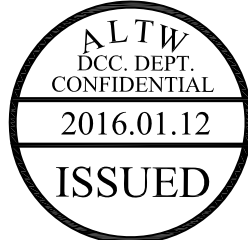


THIS DOCUMENT IS SUBJECT TO CHANGE WITHOUT NOTICE. IT IS CONFIDENTIAL AND A PROPERTY OF AMPHENOL LTW. DISCLOSURE TO THIRD PARTY HAS TO BE AUTHORIZED BY AMPHENOL LTW.

REV.	ECN NO.	DATE	SIGN	DESCRIPTION
B	LEN1380071	2013/08/06	SAM	Change Dimenison.
C	LEN1610053	2016/01/04	Jiawei	Change Dimenison.



- Note:
- * \varnothing Important Dimension.
 - * Waterproof Rate: IP68
 - IP68: 1M Depth Of Water In 24hours.
 - * Conn1&2.: Nylon+GF, Black
 - * Pin: Copper Alloy, Gold Plated
 - * Shield: Brass, Nickel Plated
 - * Nut: Brass, Nickel Plated
 - * Liquid Glue: Clear
 - * O-ring: Silicone, Gray

UNIT: mm		
TOLERANCE	.X	±0.25
	.XX	±0.1
	.XXX	±0.05
	.XXX	±0.05
ANGLES		±1°

TITLE MNEA2000 MINI-C BULKHEAD			
SCALE 3:2	SIZE A4	SHEET 1 OF 1	
REV. C	WC-REV. A.2	QC: Inspection item	

Amphenol LTW
安費諾亮泰企業股份有限公司

ITEM NO. UMN-000505-0FM-BS001	DRAWN BY Jiawei	DATE 2016-01-04
DWG NO. UMN-000505-0FM-BS001	CHECKED BY Mafei	DATE 2016-01-04
CUSTOMER ALTW	APPROVED BY Jerry	DATE 2016-01-04