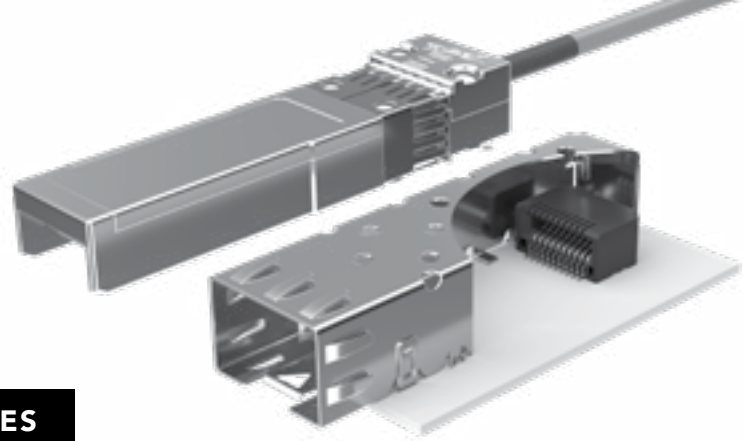


SFP & SFP+ CABLE & TRANSCEIVER

(0.80 mm) .0315" PITCH • SFPE/MECT SERIES

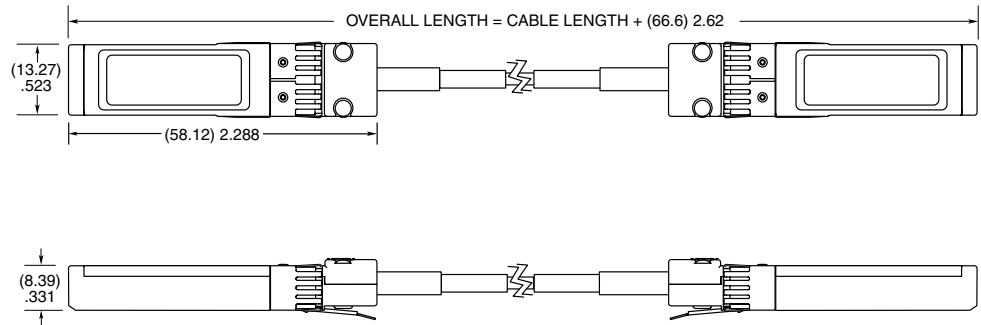


SFPE
Mates:
MECT, SFPC

SFPE	NO. OF PAIRS	CABLE LENGTH	EQUALIZATION	WIRE GAUGE
	-010 = 2 Pairs	-XXXX = Length in millimeters -1000, -2000, -3000 (Standard lengths)	-NE = Non Equalized	-32 = 32 AWG

SPECIFICATIONS

Impedance:
100 Ω
Signal Routing:
Differential



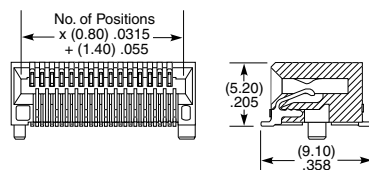
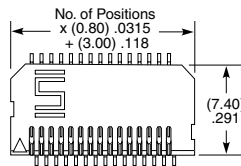
View complete specifications at: samtec.com?SFPE

MECT
Mates:
SFP, SFP+, XFP or
XENPAK transceivers

MECT	1 POSITIONS PER ROW	CARD THICKNESS	PLATING OPTION	D	RA1	OTHER OPTION
	10, 15, 35	-01 = (1 mm) .039" thick board	-M = 15 μ" (0.38 μm) Gold on contact, Matte Tin on tail			-TR = Tape & Reel -FR = Full Reel Tape & Reel (must order max. quantity per reel; contact Samtec for quantity breaks)

SPECIFICATIONS

Insulator Material:
Black LCP
Contact Material:
Phosphor Bronze
Plating:
Sn or Au over
100 μ" (2.54 μm) Ni
Operating Temp Range:
-55 °C to +125 °C
Current Rating:
2 A per pin
(6 pins powered)
Voltage Rating:
265 VAC



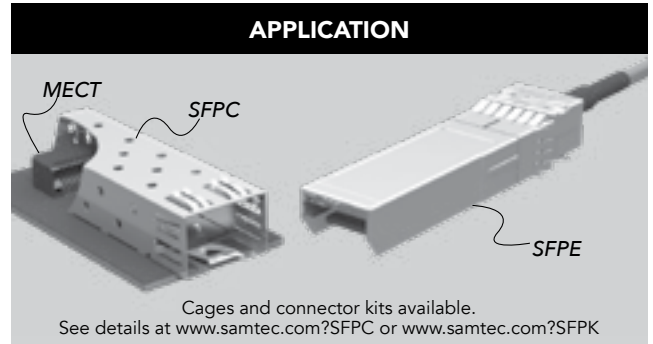
15 POSITIONS SHOWN

PROCESSING

Lead-Free Solderable:
Yes
SMT Lead Coplanarity:
(0.10 mm) .004" max

Note:
Some sizes, styles and options are non-standard, non-returnable.

APPLICATION



Cages and connector kits available.
See details at www.samtec.com?SFPC or www.samtec.com?SFPC

View complete specifications at: samtec.com?MECT

Mouser Electronics

Authorized Distributor

Click to View Pricing, Inventory, Delivery & Lifecycle Information:

[Samtec:](#)

[MECT-110-01-M-D-RA1](#) [MECT-110-01-MM-D-RA1](#) [MECT-110-01-M-D-RA1-TR](#) [MECT-115-01-M-D-RA1](#) [MECT-120-01-M-D-RA1-TR](#) [MECT-135-01-M-D-RA1](#) [MECT-120-01-M-D-RA1](#) [MECT-115-01-M-D-RA1-TR](#) [MECT-115-01-MM-D-RA1-TR](#) [MECT-110-01-MM-D-RA1-TR](#) [MECT-115-01-MM-D-RA1](#) [MECT-115-01-S-D-RA1](#) [MECT-110-01-S-D-RA1](#) [MECT-120-01-MM-D-RA1-TR](#) [MECT-135-01-M-D-RA1-TR](#) [MECT-135-01-MM-D-RA1](#) [MECT-135-01-SM-D-RA1](#) [MECT-135-01-MM-D-RA1-TR](#) [MECT-135-01-S-D-RA1](#) [MECT-120-01-MM-D-RA1](#) [MECT-110-01-S-D-RA1-TR](#) [MECT-115-01-SM-D-RA1](#) [MECT-115-01-SM-D-RA1-TR](#) [MECT-110-01-SM-D-RA1](#) [MECT-135-01-S-D-RA1-TR](#) [MECT-110-01-M-D-RA1-FR](#) [MECT-135-01-M-D-RA1-FR](#) [MECT-110-01-S-D-RA1-FR](#)