

PZ SERIES ANTI-VANDAL SWITCH

- ANTI-VANDAL SWITCHES
- DETECTOR SWITCHES
- DIP SWITCHES
- KEYLOCK SWITCHES
- NAVIGATION SWITCHES
- PUSHBUTTON SWITCHES
- ROCKER SWITCHES
- ROTARY SWITCHES
- SLIDE SWITCHES
- SNAP ACTION SWITCHES
- TACTILE SWITCHES
- TOGGLE SWITCHES
- CAP OPTIONS



APPLICATIONS / MARKETS



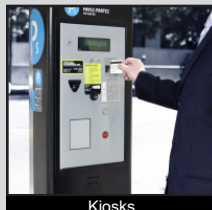
Audio / Visual



Security Devices



Industrial Controls



Kiosks



Electrical Housewares



Medical Equipment

SPECIFICATIONS

Contact Rating: 1A @ 5-24VDC
Electrical Life: 50,000,000 Cycles
Contact Resistance: 1Ω Max.
Operating Temperature: -20°C to 65°C
Storage Temperature: -25°C to 65°C
Panel Thickness: PZ3 - 8mm Max.
 PZ4 & PZ7 - 10mm Max.
Moisture Protection: IP68 (in house tested)

FEATURES & BENEFITS

- 16mm, 19mm and 22mm panel cutouts
- Ring illumination options
- RGB color options
- Bezel options
- IP68 (in house tested)

PART NUMBER CONFIGURATOR

Series	Size Options	Function	Housing	Bezel	Illumination Style	LED-Color Options	Wire Length
<input type="checkbox"/> <input type="checkbox"/> PZ	<input type="checkbox"/> 3 - 16mm* 4 - 19mm 7 - 22mm	<input type="checkbox"/> M - Momentary/ Pulse	<input type="checkbox"/> 1 - Black Anodized (Double Flat) 2 - Clear Anodized (Double Flat)	<input type="checkbox"/> C - Concave F - Flat	<input type="checkbox"/> N - Non-Illuminated R - Ring Illuminated	<input type="checkbox"/> N - Non-Illuminated R - RGB	<input type="checkbox"/> W150 - 150mm (with 1x6 Conn) W300 - 300mm (with 1x6 Conn)

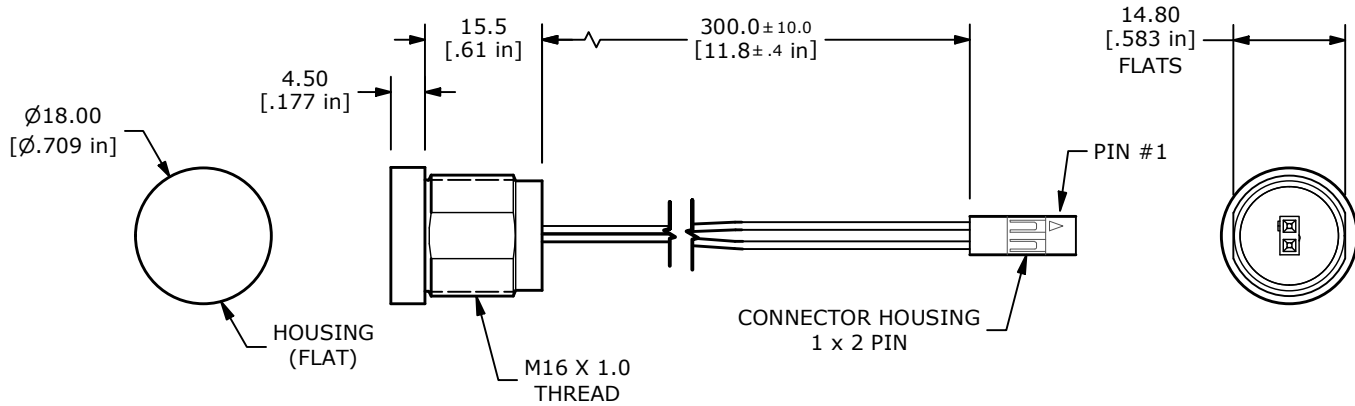
* PZ3 is only available with the PZ3M2FNNW300 configuration

Specifications subject to change without notice 5.22.2024



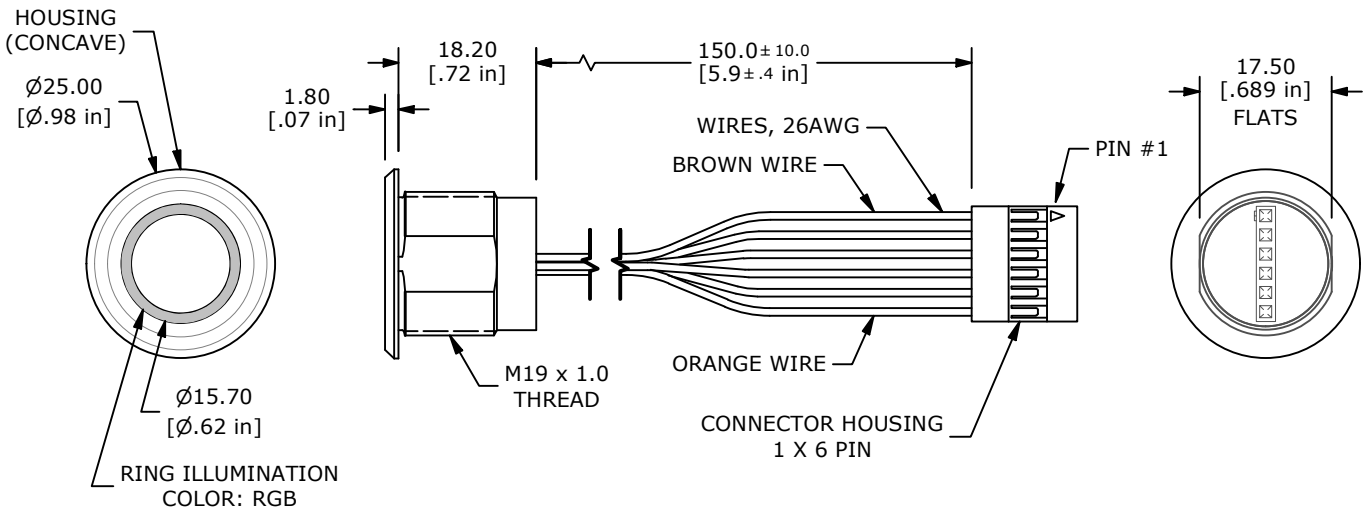
PZ SERIES ANTI-VANDAL SWITCH

BODY DIMENSIONS 16MM OPTION FLAT BEZEL



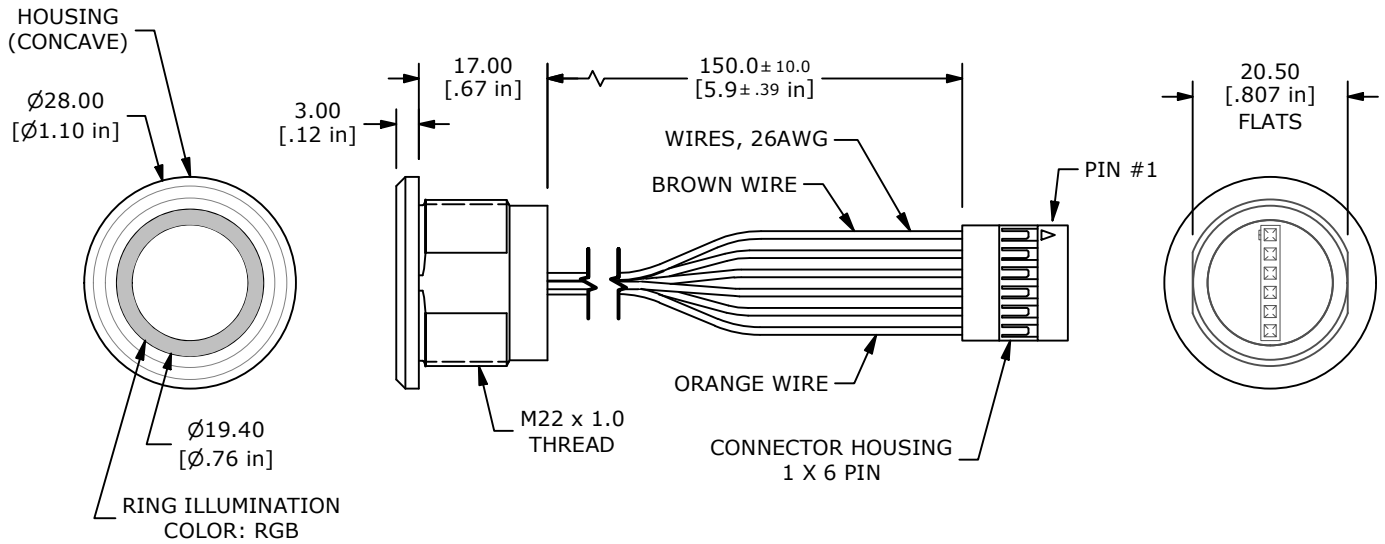
* PZ3 is only available with the PZ3M2FNNW300 configuration

BODY DIMENSIONS 19MM OPTION CONCAVE BEZEL

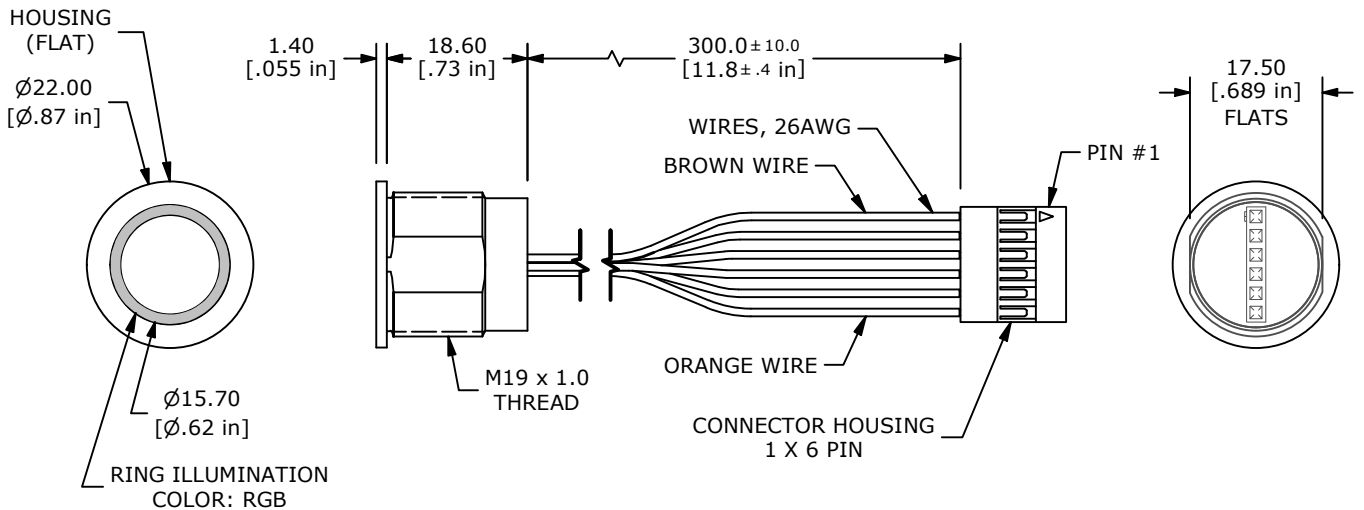


PZ SERIES ANTI-VANDAL SWITCH

BODY DIMENSIONS 22MM OPTION CONCAVE BEZEL

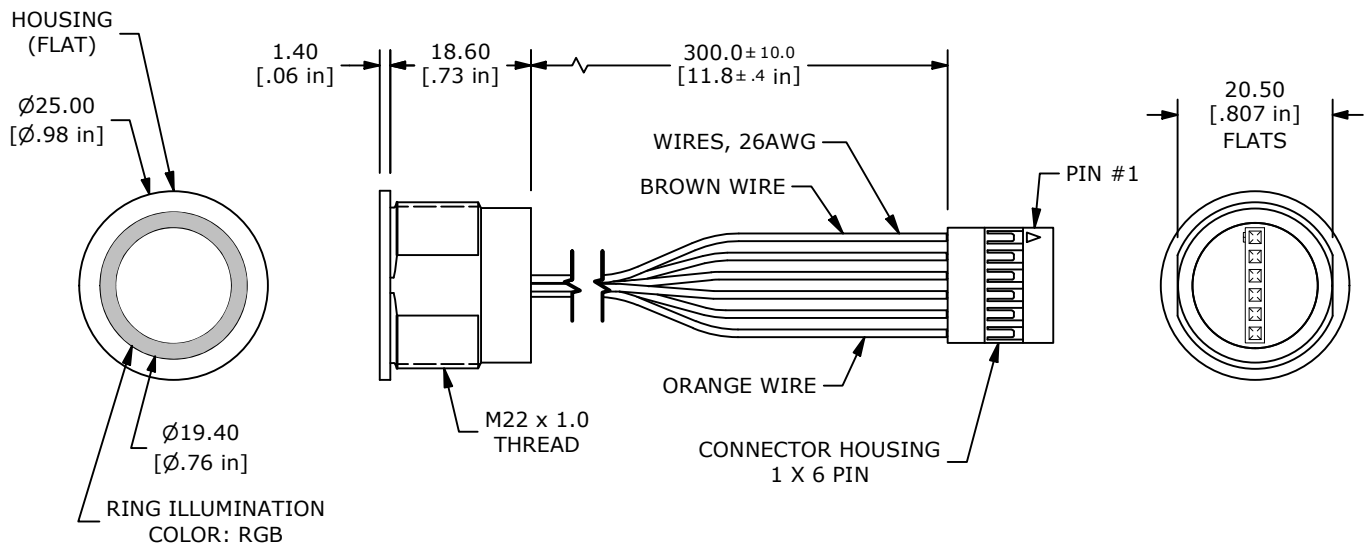


BODY DIMENSIONS 19MM OPTION FLAT BEZEL



PZ SERIES ANTI-VANDAL SWITCH

BODY DIMENSIONS 22MM OPTION FLAT BEZEL



ANTI-VANDAL
SWITCHES

DETECTOR
SWITCHES

DIP
SWITCHES

KEYLOCK
SWITCHES

NAVIGATION
SWITCHES

PUSHBUTTON
SWITCHES

ROCKER
SWITCHES

ROTARY
SWITCHES

SLIDE
SWITCHES

SNAP ACTION
SWITCHES

TACTILE
SWITCHES

TOGGLE
SWITCHES

CAP
OPTIONS



PZ SERIES ANTI-VANDAL SWITCH

PANEL CUTOUT & SCHEMATIC

ANTI-VANDAL SWITCHES

DETECTOR SWITCHES

DIP SWITCHES

KEYLOCK SWITCHES

NAVIGATION SWITCHES

PUSHBUTTON SWITCHES

ROCKER SWITCHES

ROTARY SWITCHES

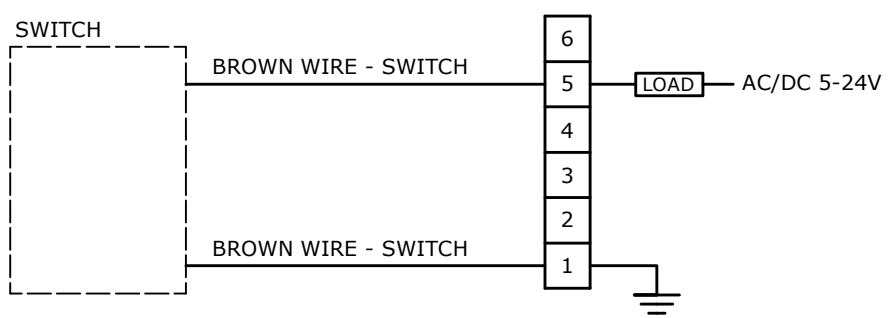
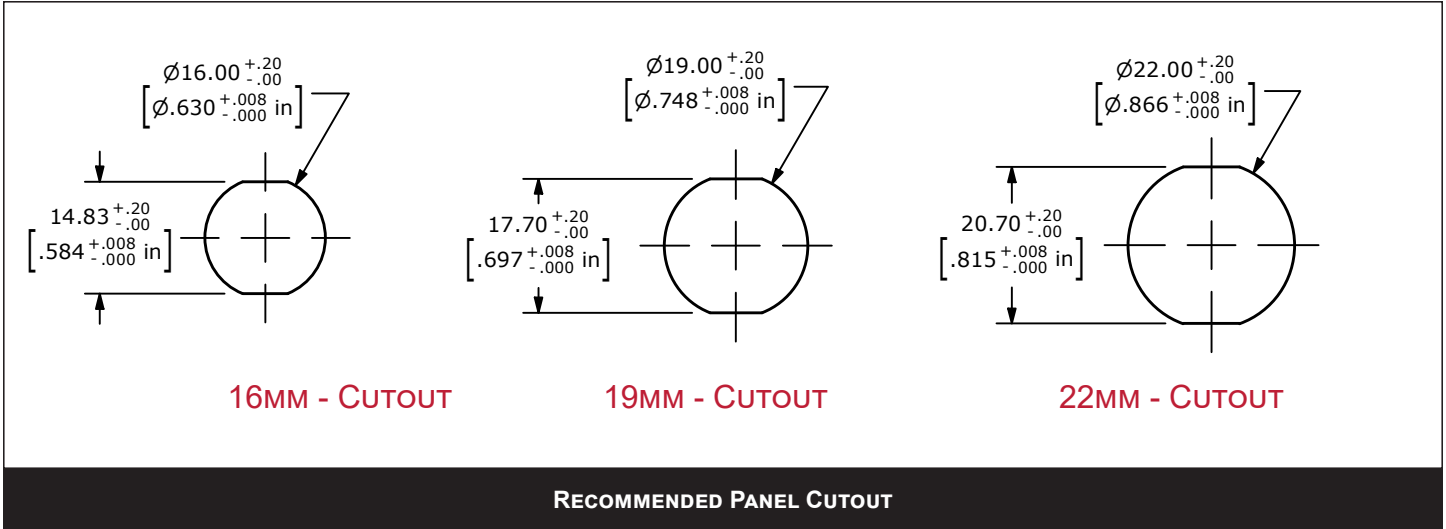
SLIDE SWITCHES

SNAP ACTION SWITCHES

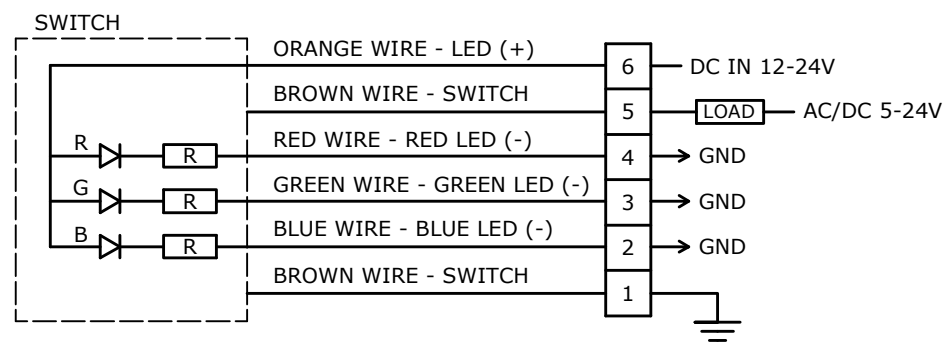
TACTILE SWITCHES

TOGGLE SWITCHES

CAP OPTIONS



**SCHEMATIC
MOMENTARY/PULSE NON-ILLUMINATED**



**SCHEMATIC
MOMENTARY/PULSE ILLUMINATED - RGB**

SCHEMATICS

