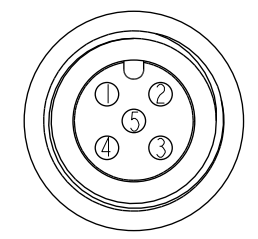
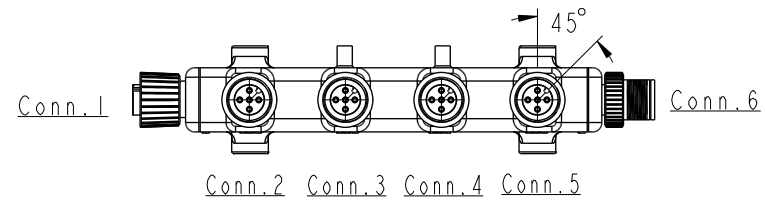
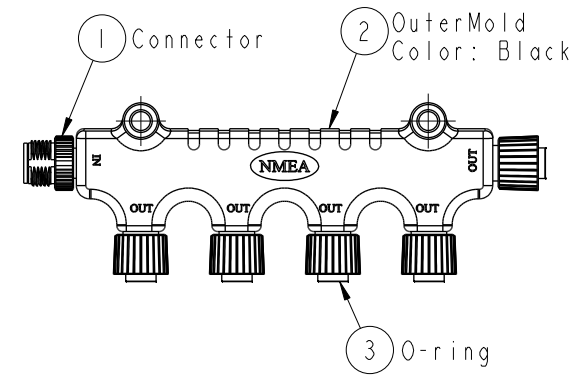
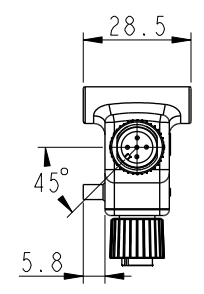
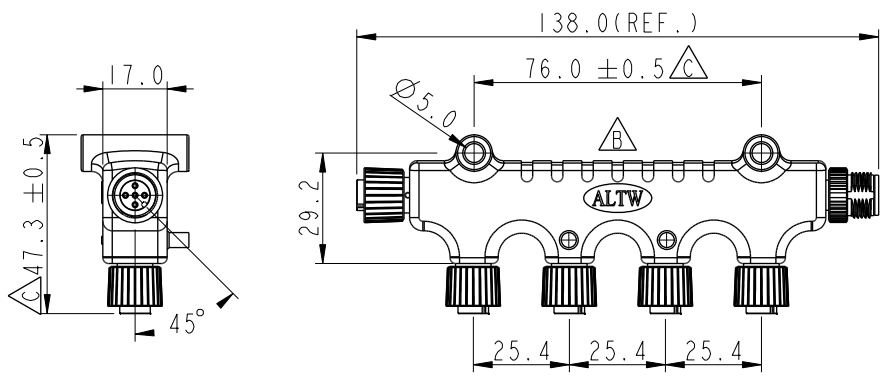
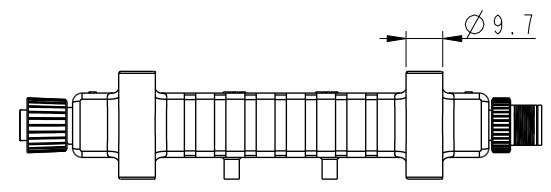
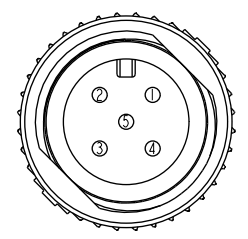


THIS DOCUMENT IS SUBJECT TO CHANGE WITHOUT NOTICE. IT IS CONFIDENTIAL AND A PROPERTY OF AMPHENOL LTW. DISCLOSURE TO THIRD PARTY HAS TO BE AUTHORIZED BY AMPHENOL LTW.

REV.	ECN NO.	DATE	SIGN	DESCRIPTION
A	Initial Release	2009/09/08	Doreen	Change REV.01 to REV.A
B	LEN15A0273	2015/10/01	Ruru	Change Logo
C	C201838	2020/11/23	Ruru	$\triangle C$ X4



Conn.1&2&3&4&5
Pin Assignments
Front View



Conn.6
Pin Assignments
Front View

Blue 藍 (22AWG)	5	5
White 白 (22AWG)	4	4
Black 黑 (22AWG)	3	3
Red 紅 (22AWG)	2	2
Green 綠 (22AWG)	1	1
Wire Color	Conn.1	Conn.6
	Pin Out	

$\triangle C$
Note:
 * $\text{\textcircled{C}}$ Important Dimension.
 * Waterproof Rate: IP68.
 * Connector: Thermoplastic, Black.
 * O-Ring: Rubber, Grey.
 * Nut: Metal.
 * Pin: Copper Alloy, Gold Plated.
 * Wire Harness: UL1007/TR64 22AWG, OD=0.76mm, Green, White, Blue, Red, Black.
 * Text Depth : 0.3 mm

UNIT:mm		TITLE		Amphenol LTW		ITEM NO	DRAWN BY	DATE
TOLERANCE		ACC, NMEA, APVD, MULTI-PORT CONN, FFFFFM, 55555		安費諾亮泰企業股份有限公司		E-555555-FFFFFM-S001	Ruru	2015-10-01
.X	±0.25	SCALE	1:2	SIZE	A4	DWG NO	CHECKED BY	DATE
.XX	±0.1	REV.	C	WC-REV.	A.2	E-555555-FFFFFM-S001	Rita	2015-10-01
.XXX	±0.05	$\text{\textcircled{C}}$: Inspection item				CUSTOMER	APPROVED BY	DATE
ANGLES	±1°					ALTW	Lisa	2015-10-01