

# RLC73K3AR332FTDF ✓ ACTIVE

CGS | CGS RLC73

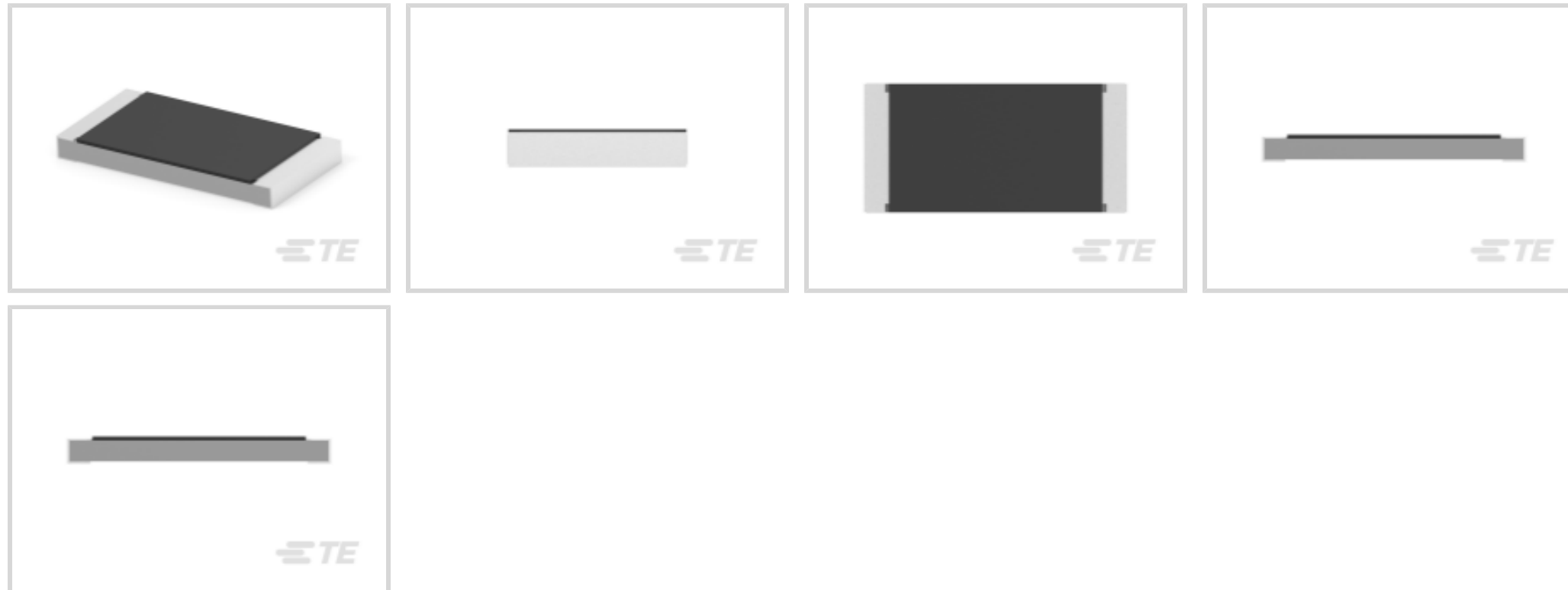
TE Internal #: 7-2176603-5

Current Sensing Resistor, Thick Film, 2512, 1 W, .332 ohm, 1 %, ±200 ppm/°C, Solder, 2 Termination, Height .6 mm [.024 in], CGS RLC73

[View on TE.com >](#)



Passive Components > Resistors > Surface Mount Resistors



Resistor Type: **Current Sensing Resistor**

Element Type: **Thick Film**

Package Size Code: **2512**

Power Rating: **1 W**

Resistance Value: **.332 Ω**

## Features

### Product Type Features

Resistor Type	Current Sensing Resistor
Element Type	Thick Film
Package Size Code	2512

### Configuration Features

Number of Resistors	1
---------------------	---

### Electrical Characteristics

Power Rating	1 W
Resistance Value	.332 Ω
Resistance Class	Up to 1kΩ
Passive Component Tolerance	1 %

### Termination Features

Surface Mount Resistor Termination Type	Solder
Number of Terminations	2

### Dimensions

Product Height	.6 mm [.024 in]
Product Length	6.35 mm [.25 in]
Product Width	3.1 mm [.122 in]

### Usage Conditions

Operating Temperature Range	-55 – 155 °C
Temperature Coefficient	±200 ppm/°C

### Packaging Features

Packaging Method	Taped & Reeled
------------------	----------------

### Product Compliance

[For compliance documentation, visit the product page on TE.com>](#)

EU RoHS Directive 2011/65/EU	Compliant
EU ELV Directive 2000/53/EC	Compliant
China RoHS 2 Directive MIIT Order No 32, 2016	No Restricted Materials Above Threshold
EU REACH Regulation (EC) No. 1907/2006	Current ECHA Candidate List: JUNE 2024 (241) Candidate List Declared Against: JUNE 2024 (241) Does not contain REACH SVHC
Halogen Content	Low Halogen - Br, Cl, F, I < 900 ppm per homogenous material. Also BFR/CFR/PVC Free
Solder Process Capability	Reflow solder capable to 260°C

#### Product Compliance Disclaimer

This information is provided based on reasonable inquiry of our suppliers and represents our current actual knowledge based on the information they provided. This information is subject to change. The part numbers that TE has identified as EU RoHS compliant have a maximum concentration of 0.1% by weight in homogenous materials for lead, hexavalent chromium, mercury, PBB, PBDE, DBP, BBP, DEHP, DIBP, and 0.01% for cadmium, or qualify for an exemption to these limits as defined in the Annexes of Directive 2011/65/EU (RoHS2). Finished electrical and electronic equipment products will be CE marked as required by Directive 2011/65/EU. Components may not be CE marked. Additionally, the part numbers that TE has identified as EU ELV compliant have a maximum concentration of 0.1% by weight in homogenous materials for lead, hexavalent chromium, and mercury, and 0.01% for cadmium, or qualify for an exemption to these limits as defined in the Annexes of Directive 2000/53/EC (ELV). Regarding the REACH Regulations, TE's information on SVHC in articles for this part number is still based on the European Chemical Agency (ECHA) 'Guidance on requirements for substances in articles' (Version: 2, April 2011), applying the 0.1% weight on weight concentration threshold at the finished product level. TE is aware of the European Court of Justice ruling of September 10th, 2015 also known as O5A (Once An Article Always An Article) stating that, in case of 'complex object', the threshold for a SVHC must be applied to both the product as a whole and simultaneously to each of the articles forming part of its composition. TE has evaluated this ruling based on the new ECHA "Guidance on requirements for substances in articles" (June 2017, version 4.0) and will be updating its statements accordingly.

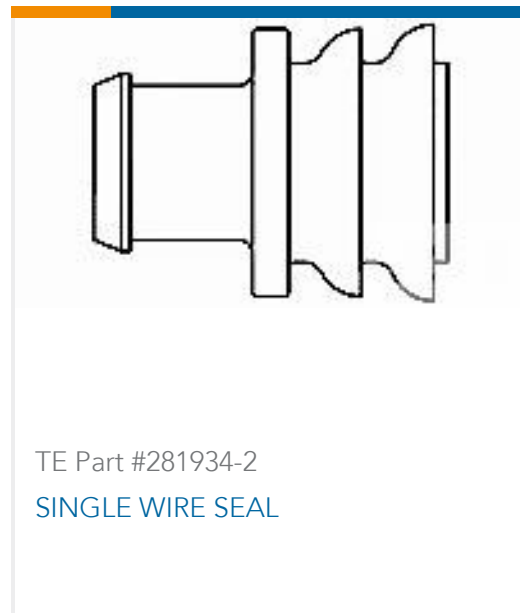
## Compatible Parts



## Also in the Series | CGS RLC73



## Customers Also Bought



## Documents

[Product Drawings](#)  
[RLC73K 3A R332 1% 1K RL](#)

English

[CAD Files](#)



**Customer View Model**

[ENG\\_CVM\\_CVM\\_7-2176603-5\\_BA.3d\\_igs.zip](#)

English

**Customer View Model**

[ENG\\_CVM\\_CVM\\_7-2176603-5\\_BA.3d\\_stp.zip](#)

English

**Customer View Model**

[ENG\\_CVM\\_CVM\\_7-2176603-5\\_BA.2d\\_dxf.zip](#)

English

[3D PDF](#)

[3D](#)

By downloading the CAD file I accept and agree to the [Terms and Conditions](#) of use.

**Datasheets & Catalog Pages**

[SMD Low Ohmic - Current Sense Resistors - Type RLC73 Series](#)

English