

4

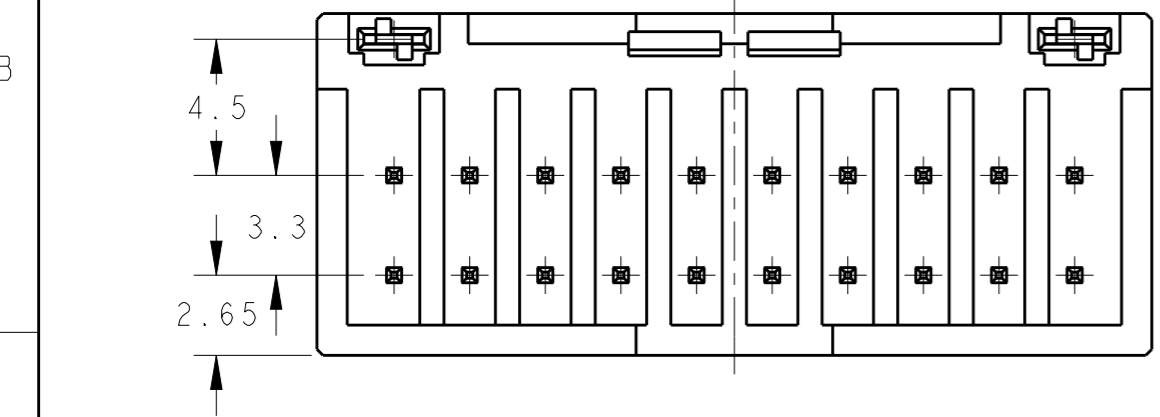
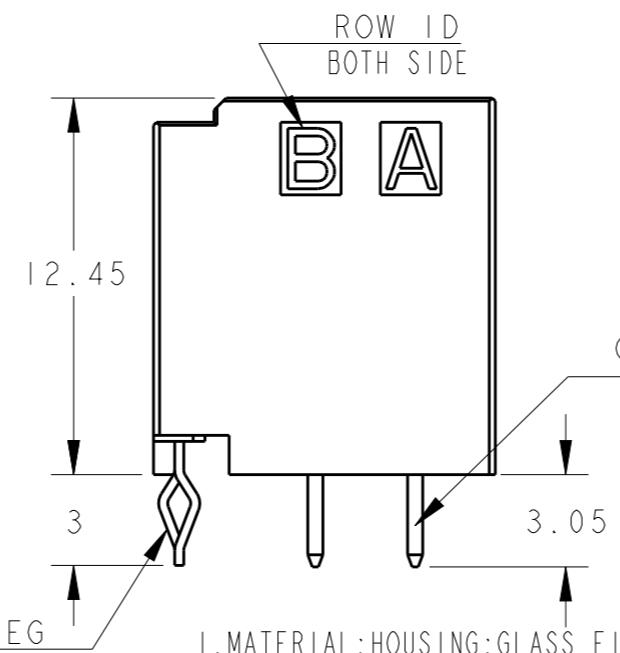
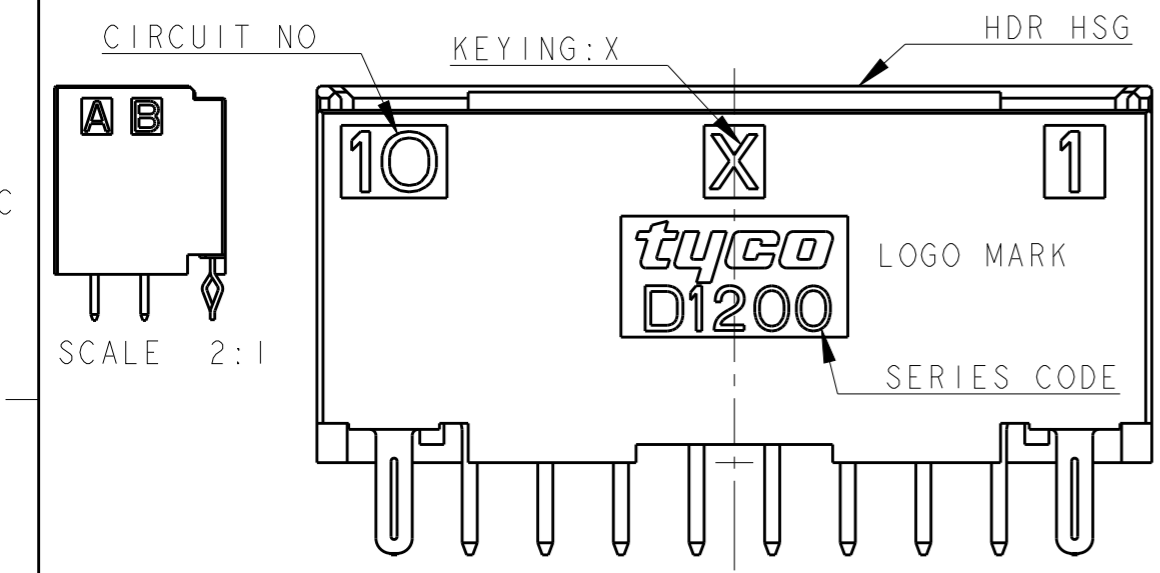
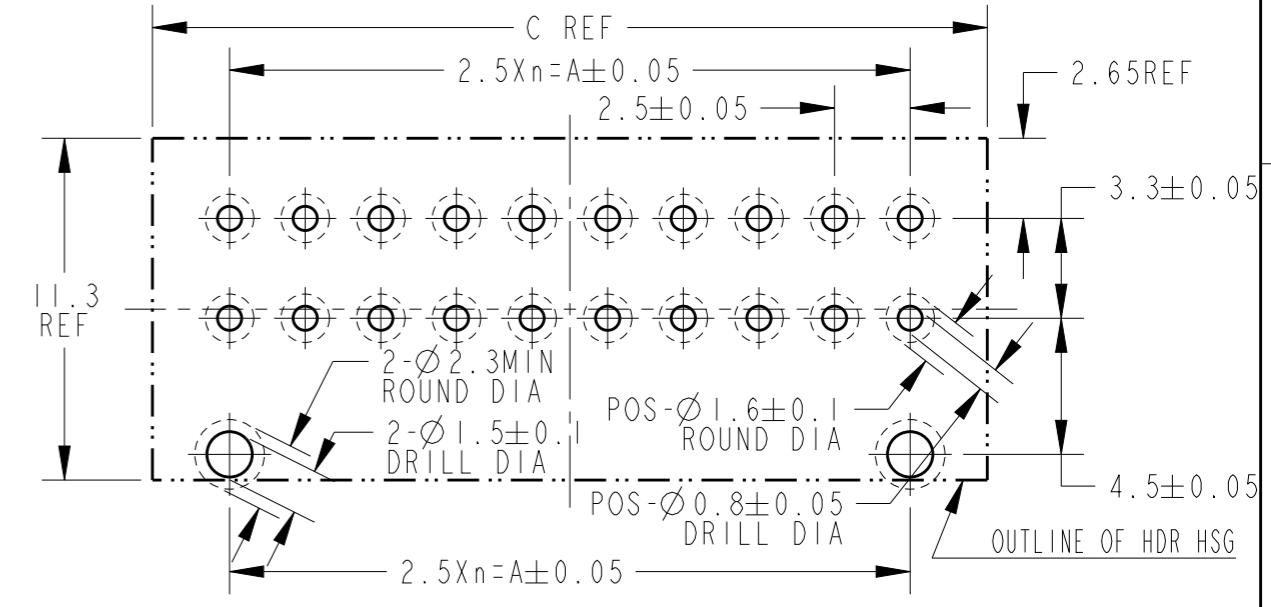
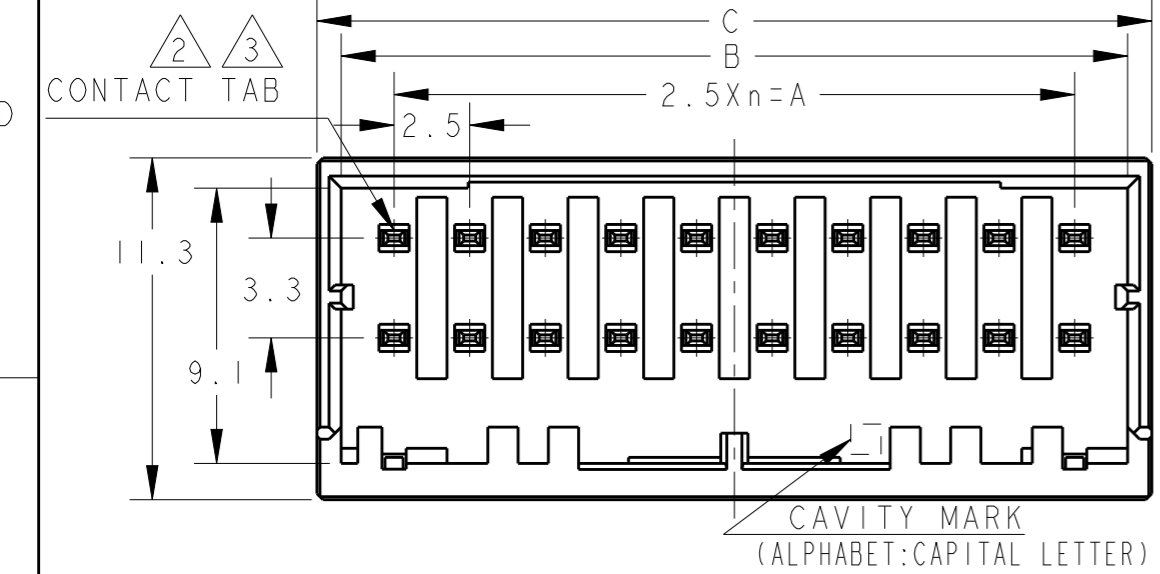
3

2

1

THIS DRAWING IS UNPUBLISHED. RELEASED FOR PUBLICATION 20  
 © COPYRIGHT 20 BY Tyco Electronics Japan G.K. ALL RIGHTS RESERVED.

LOC	DIST	REVISIONS					
		P	LTR	DESCRIPTION	DATE	DWN	APVD
			A	INITIAL	05DEC2018	F.Z	R.B



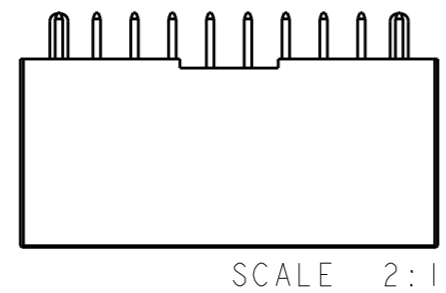
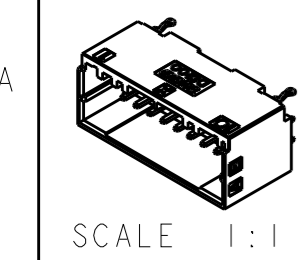
- 1. MATERIAL: HOUSING: GLASS FILLED THERMO PLASTIC POLYESTER (94V-0), COLOR: BLACK  
CONTACT: COPPER ALLOY  
RETENTION LEG: PRE-TIN COPPER ALLOY
- 2. FINISH (ALL OVER): NICKEL PL. 1.27µm MIN
- 3. FINISH (CONTACT OVER): TIN PL. 1.0µm MIN AFTER 2
- 4. THE SHAPE, SIZE AND POSITION OF THE CHARACTER SHOW THE OUTLINE. THEY DON'T SHOW DETAILS.


RECOMMEND PC BOARD HOLE PATTERN : CONNECTOR MOUNT SIDE (NOT ACCUMULATE TOLERANCE)  
PC BOARD THICKNESS : 1.0~1.6±0.1

AS SHOWN : 1-2348454-0 (20 POS: X-KEY)  
ONLY 4 POS --- SEE SHEET 2 OF 3

POS	KEY	n	A	B	C	PART NO
20	X	9	22.5	26.0	27.6	1-2348454-0
16	X	7	17.5	21.0	22.6	1-2348454-8
12	X	5	12.5	16.0	17.6	1-2348454-6
10	X	4	10.0	13.5	15.1	1-2348454-5
8	X	3	7.5	11.0	12.6	1-2348454-4
6	X	2	5.0	8.5	10.1	1-2348454-3
4	X	1	2.5	6.0	7.6	1-2348454-2

20 POS (X-KEY) : 1-2348454-0



THIS DRAWING IS A CONTROLLED DOCUMENT.		DWN 05DEC2018 FISHER.ZHU	 TE Connectivity	
DIMENSIONS: 單位: 耗 mm		CHK 05DEC2018 RICK.BIAN		
TOLERANCES UNLESS OTHERWISE SPECIFIED: 一般公差 ±0.3, ±5°		APVD 05DEC2018 RICK.BIAN	NAME 名称 DYNAMIC D1200D 2.5mm PITCH HDR ASSY (V-TYPE) TIN PLATING 4-20 POS	
0 PLC ±		PRODUCT SPEC 108-78298	SIZE CAGE CODE DRAWING NO 番号 A300779 C-2348454	
1 PLC ±0.3		APPLICATION SPEC 114-5377	RESTRICTED TO	
2 PLC ±0.10		WEIGHT -	SCALE 尺度 4:1 SHEET 1 OF 3 REV A	
3 PLC ±0.001		RESTRICTED CUSTOMER		
4 PLC ±0.0001				
ANGLES ±				
FINISH 仕上 -				

4 4POS(X-KEY): 1-1827875-2

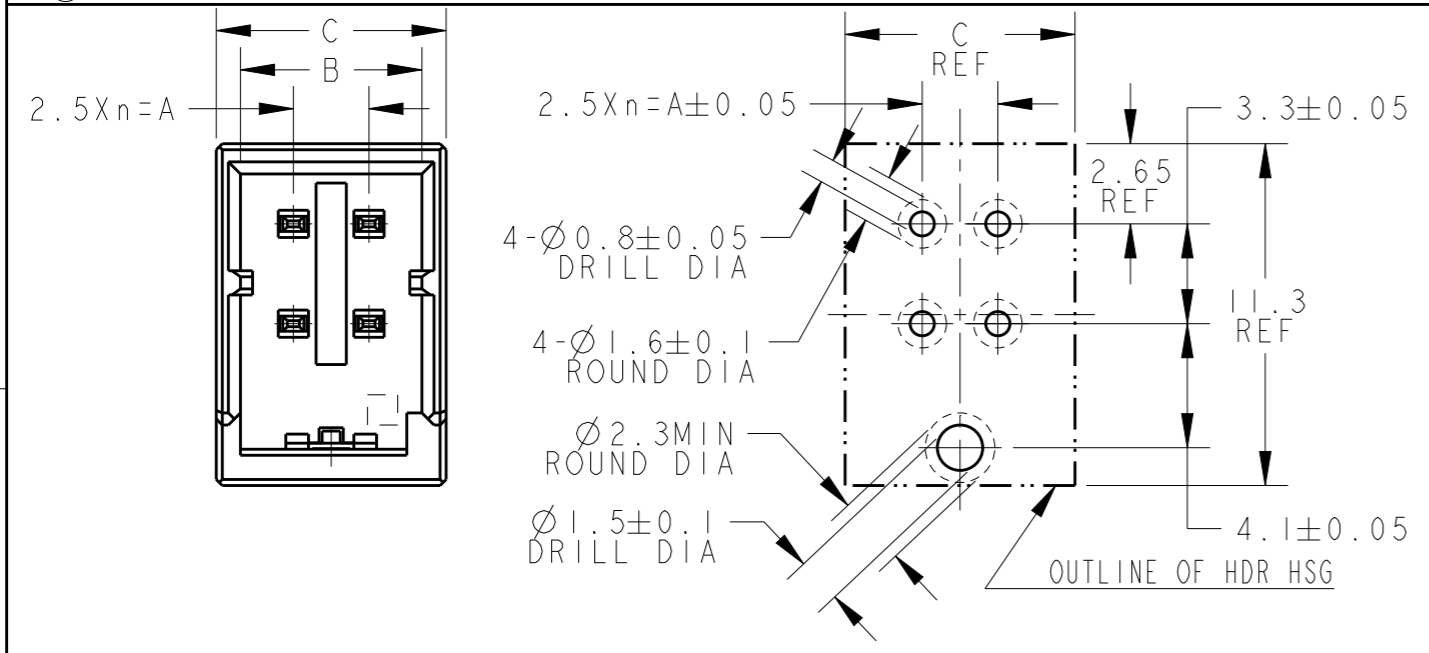
3

2

1

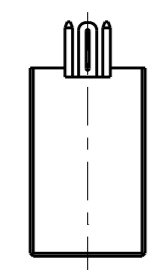
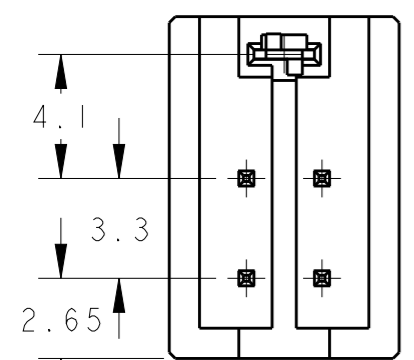
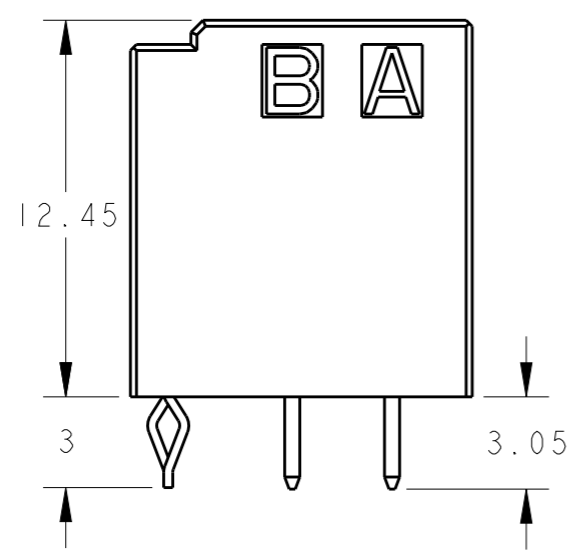
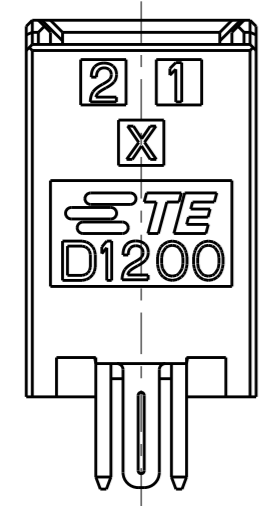
THIS DRAWING IS UNPUBLISHED. RELEASED FOR PUBLICATION  
 © COPYRIGHT 20 BY Tyco Electronics Japan G.K. ALL RIGHTS RESERVED.

LOC	DIST	REVISIONS					
		P	LTR	DESCRIPTION	DATE	DWN	APVD
				SEE SHEET 1 OF 3			



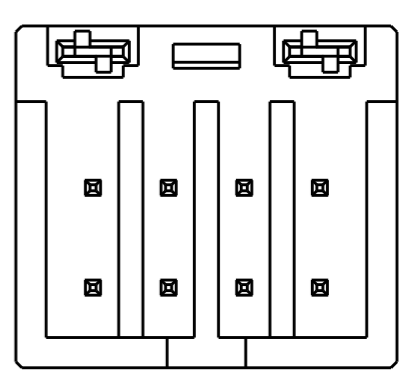
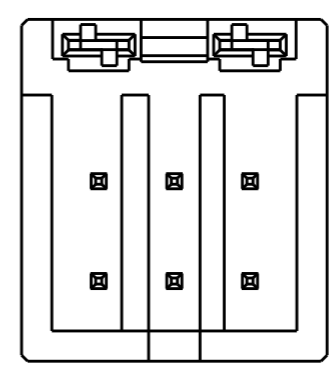
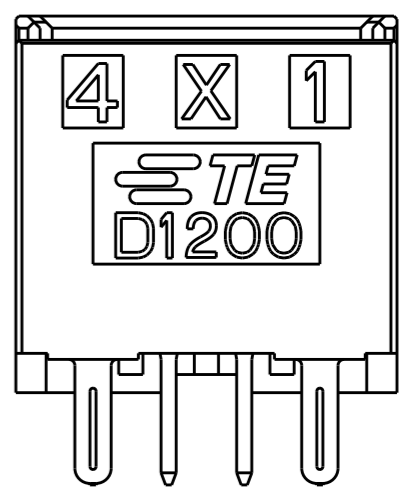
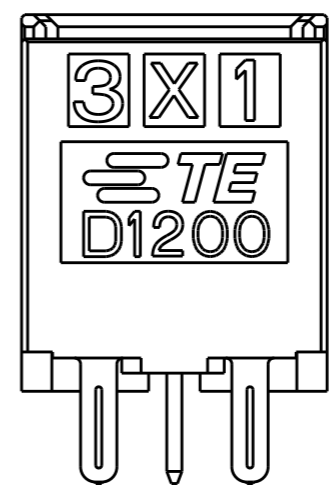
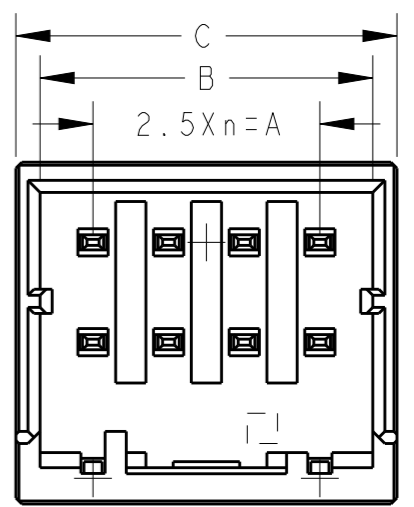
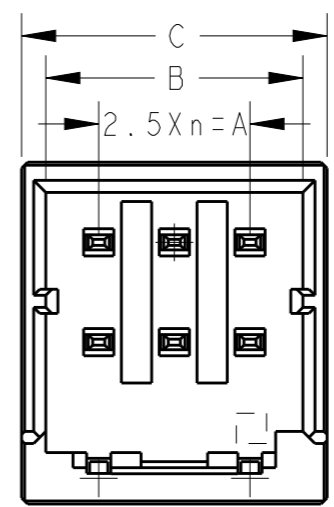
RECOMMEND PC BOARD HOLE PATTERN  
 : CONNECTOR MOUNT SIDE (NOT ACCUMULATE TOLERANCE)  
 PC BOARD THICKNESS : 1.0~1.6±0.1

ONLY 4POS



SCALE 2:1

4POS(X-KEY): 1-2348454-2



6POS(X-KEY): 1-2348454-3

8POS(X-KEY): 1-2348454-4

THIS DRAWING IS A CONTROLLED DOCUMENT.		DWN 05DEC2018 FISHER, ZHU	TE Connectivity			
DIMENSIONS: mm		CHK 05DEC2018 RICK, BIAN				
TOLERANCES UNLESS OTHERWISE SPECIFIED:		APVD 05DEC2018 RICK, BIAN	NAME DYNAMIC D1200D 2.5mmPITCH HDR ASSY (V-TYPE) TIN PLATING 4-20POS			
0 PLC ±-	1 PLC ±0.3	PRODUCT SPEC 108-78298	SIZE A3	CAGE CODE 00779	DRAWING NO C-2348454	RESTRICTED TO
2 PLC ±0.10	3 PLC ±0.001	APPLICATION SPEC 114-5377	SCALE 4:1		SHEET 2 OF 3	REV A
4 PLC ±0.0001	ANGLES ±-	WEIGHT -	RESTRICTED CUSTOMER			
MATERIAL & material	FINISH -					

SEE SHEET 1 OF 3

THIS DRAWING IS UNPUBLISHED.

RELEASED FOR PUBLICATION

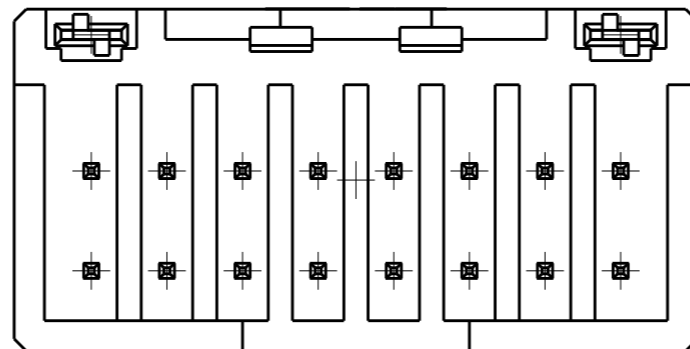
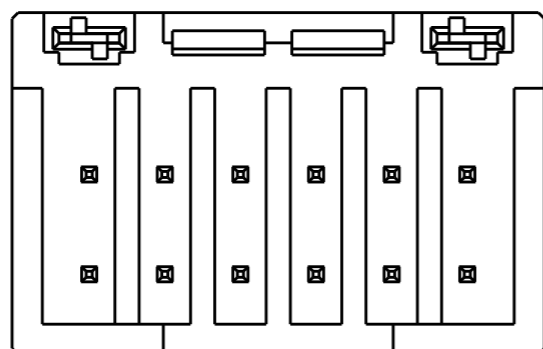
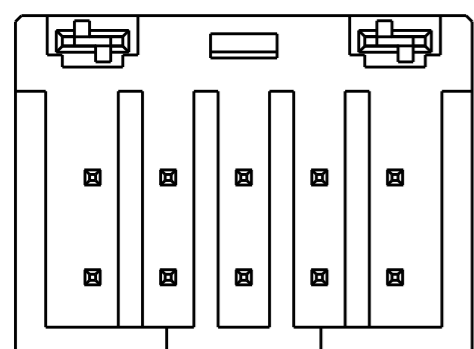
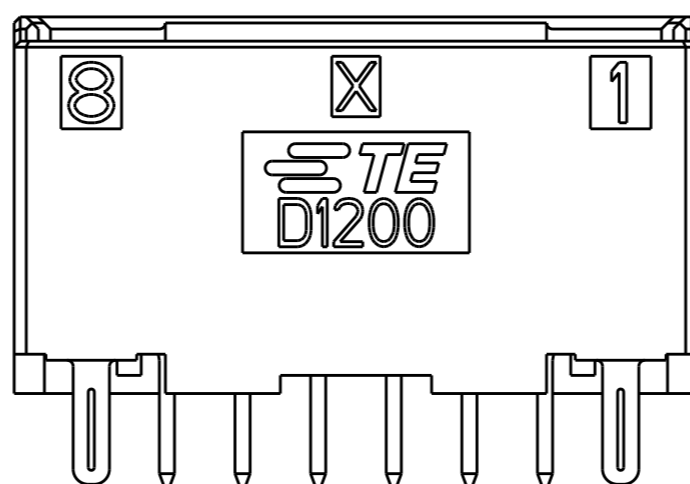
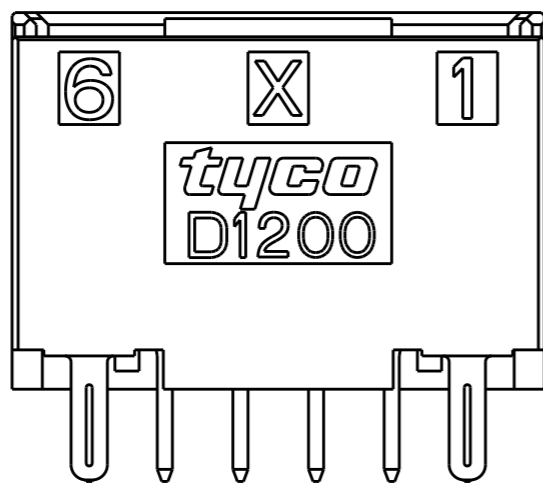
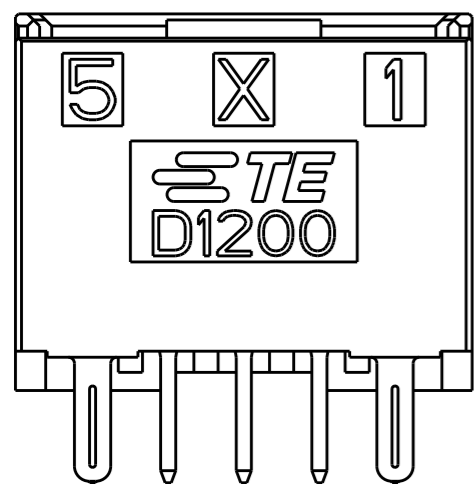
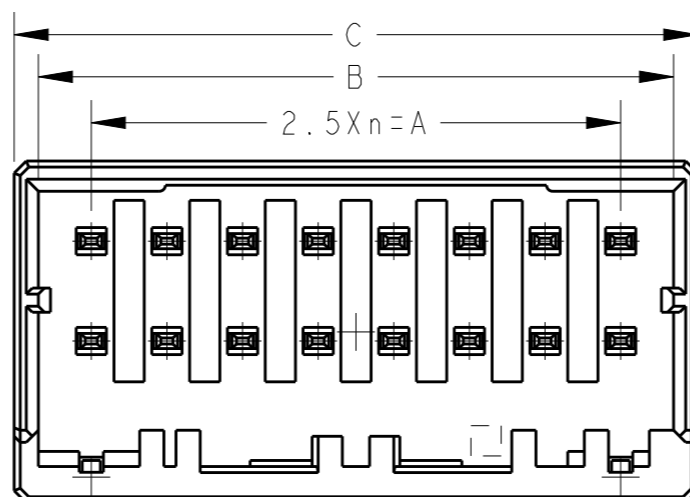
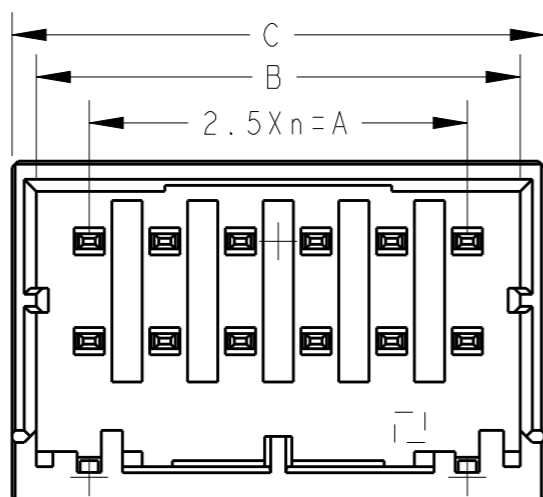
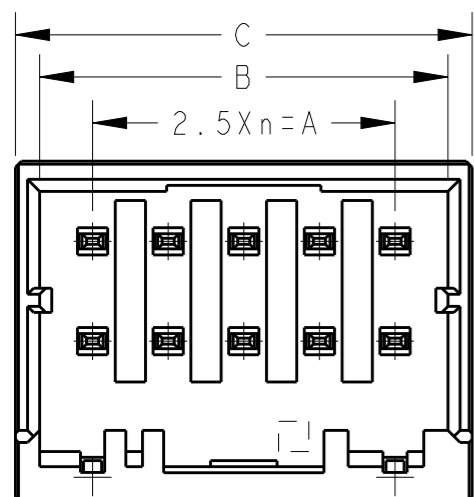
20

LOC DIST

REVISIONS

© COPYRIGHT 20 BY Tyco Electronics Japan G.K. ALL RIGHTS RESERVED.

P	LTR	DESCRIPTION	DATE	DWN	APVD
		SEE SHEET 1 OF 3			



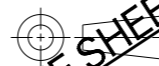
10POS(X-KEY): 1-2348454-5

12POS(X-KEY): 1-2348454-6

16POS(X-KEY): 1-2348454-8

THIS DRAWING IS A CONTROLLED DOCUMENT.

DIMENSIONS:  
mm



TOLERANCES UNLESS OTHERWISE SPECIFIED:

- 0 PLC ±0.3
- 1 PLC ±0.10
- 2 PLC ±0.001
- 3 PLC ±0.001
- 4 PLC ±0.0001
- ANGLES ±

MATERIAL &material

FINISH -

DWN 05DEC2018

FISHER, ZHU

CHK 05DEC2018

RICK, BIAN

APVD 05DEC2018

RICK, BIAN

PRODUCT SPEC

108-78298

APPLICATION SPEC

114-5377

WEIGHT -

RESTRICTED CUSTOMER



TE Connectivity

NAME  
DYNAMIC D1200D 2.5mmPITCH  
HDR ASSY (V-TYPE) TIN PLATING  
4-20POS

SIZE	CAGE CODE	DRAWING NO	RESTRICTED TO
A3	00779	C-2348454	

SCALE 4:1 SHEET 3 OF 3 REV A

SEE SHEET 1 OF 3

# Mouser Electronics

Authorized Distributor

Click to View Pricing, Inventory, Delivery & Lifecycle Information:

[TE Connectivity:](#)

[1-2348454-6](#)