

To our customers,

Old Company Name in Catalogs and Other Documents

On April 1st, 2010, NEC Electronics Corporation merged with Renesas Technology Corporation, and Renesas Electronics Corporation took over all the business of both companies. Therefore, although the old company name remains in this document, it is a valid Renesas Electronics document. We appreciate your understanding.

Renesas Electronics website: <http://www.renesas.com>

April 1st, 2010
Renesas Electronics Corporation

Issued by: Renesas Electronics Corporation (<http://www.renesas.com>)

Send any inquiries to <http://www.renesas.com/inquiry>.

Notice

1. All information included in this document is current as of the date this document is issued. Such information, however, is subject to change without any prior notice. Before purchasing or using any Renesas Electronics products listed herein, please confirm the latest product information with a Renesas Electronics sales office. Also, please pay regular and careful attention to additional and different information to be disclosed by Renesas Electronics such as that disclosed through our website.
2. Renesas Electronics does not assume any liability for infringement of patents, copyrights, or other intellectual property rights of third parties by or arising from the use of Renesas Electronics products or technical information described in this document. No license, express, implied or otherwise, is granted hereby under any patents, copyrights or other intellectual property rights of Renesas Electronics or others.
3. You should not alter, modify, copy, or otherwise misappropriate any Renesas Electronics product, whether in whole or in part.
4. Descriptions of circuits, software and other related information in this document are provided only to illustrate the operation of semiconductor products and application examples. You are fully responsible for the incorporation of these circuits, software, and information in the design of your equipment. Renesas Electronics assumes no responsibility for any losses incurred by you or third parties arising from the use of these circuits, software, or information.
5. When exporting the products or technology described in this document, you should comply with the applicable export control laws and regulations and follow the procedures required by such laws and regulations. You should not use Renesas Electronics products or the technology described in this document for any purpose relating to military applications or use by the military, including but not limited to the development of weapons of mass destruction. Renesas Electronics products and technology may not be used for or incorporated into any products or systems whose manufacture, use, or sale is prohibited under any applicable domestic or foreign laws or regulations.
6. Renesas Electronics has used reasonable care in preparing the information included in this document, but Renesas Electronics does not warrant that such information is error free. Renesas Electronics assumes no liability whatsoever for any damages incurred by you resulting from errors in or omissions from the information included herein.
7. Renesas Electronics products are classified according to the following three quality grades: “Standard”, “High Quality”, and “Specific”. The recommended applications for each Renesas Electronics product depends on the product’s quality grade, as indicated below. You must check the quality grade of each Renesas Electronics product before using it in a particular application. You may not use any Renesas Electronics product for any application categorized as “Specific” without the prior written consent of Renesas Electronics. Further, you may not use any Renesas Electronics product for any application for which it is not intended without the prior written consent of Renesas Electronics. Renesas Electronics shall not be in any way liable for any damages or losses incurred by you or third parties arising from the use of any Renesas Electronics product for an application categorized as “Specific” or for which the product is not intended where you have failed to obtain the prior written consent of Renesas Electronics. The quality grade of each Renesas Electronics product is “Standard” unless otherwise expressly specified in a Renesas Electronics data sheets or data books, etc.
 - “Standard”: Computers; office equipment; communications equipment; test and measurement equipment; audio and visual equipment; home electronic appliances; machine tools; personal electronic equipment; and industrial robots.
 - “High Quality”: Transportation equipment (automobiles, trains, ships, etc.); traffic control systems; anti-disaster systems; anti-crime systems; safety equipment; and medical equipment not specifically designed for life support.
 - “Specific”: Aircraft; aerospace equipment; submersible repeaters; nuclear reactor control systems; medical equipment or systems for life support (e.g. artificial life support devices or systems), surgical implantations, or healthcare intervention (e.g. excision, etc.), and any other applications or purposes that pose a direct threat to human life.
8. You should use the Renesas Electronics products described in this document within the range specified by Renesas Electronics, especially with respect to the maximum rating, operating supply voltage range, movement power voltage range, heat radiation characteristics, installation and other product characteristics. Renesas Electronics shall have no liability for malfunctions or damages arising out of the use of Renesas Electronics products beyond such specified ranges.
9. Although Renesas Electronics endeavors to improve the quality and reliability of its products, semiconductor products have specific characteristics such as the occurrence of failure at a certain rate and malfunctions under certain use conditions. Further, Renesas Electronics products are not subject to radiation resistance design. Please be sure to implement safety measures to guard them against the possibility of physical injury, and injury or damage caused by fire in the event of the failure of a Renesas Electronics product, such as safety design for hardware and software including but not limited to redundancy, fire control and malfunction prevention, appropriate treatment for aging degradation or any other appropriate measures. Because the evaluation of microcomputer software alone is very difficult, please evaluate the safety of the final products or system manufactured by you.
10. Please contact a Renesas Electronics sales office for details as to environmental matters such as the environmental compatibility of each Renesas Electronics product. Please use Renesas Electronics products in compliance with all applicable laws and regulations that regulate the inclusion or use of controlled substances, including without limitation, the EU RoHS Directive. Renesas Electronics assumes no liability for damages or losses occurring as a result of your noncompliance with applicable laws and regulations.
11. This document may not be reproduced or duplicated, in any form, in whole or in part, without prior written consent of Renesas Electronics.
12. Please contact a Renesas Electronics sales office if you have any questions regarding the information contained in this document or Renesas Electronics products, or if you have any other inquiries.

(Note 1) “Renesas Electronics” as used in this document means Renesas Electronics Corporation and also includes its majority-owned subsidiaries.

(Note 2) “Renesas Electronics product(s)” means any product developed or manufactured by or for Renesas Electronics.

HA16141P/FP, HA16142P/FP

PFC and PWM Controller

REJ03F0145-0500
(Previous: ADE-204-036D)
Rev.5.00
Jun 15, 2005

Description

The HA16141P/FP and the HA16142P/FP are power supply controller ICs combining an AC-DC converter switching controllers for power factor correction and off-line power supply switching controllers. PFC (Power factor correction) section employs average current mode PWM and off-line power supply control section employs peak current mode PWM.

The HA16142P/FP is the change version of HA16141P/FP's PWM maximum on duty cycle.

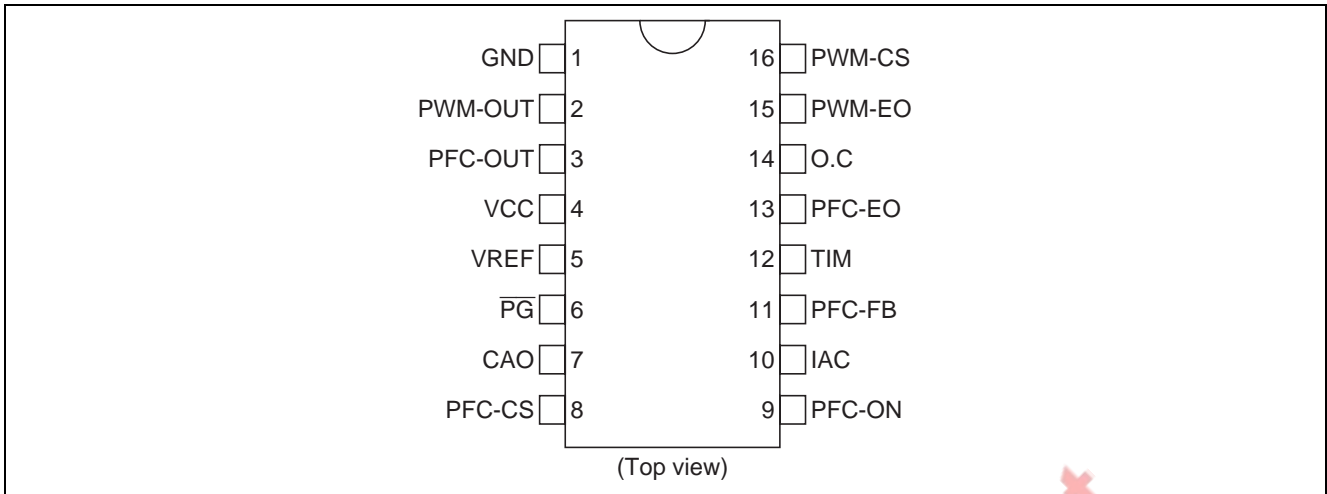
The PFC operation can be turned on and off by external control signal. Use of this on/off function makes it possible to disable PFC operation at a low line voltage, or to perform remote control operation from the transformer secondary side. The PFC power supply boosted output voltage is not only fed to an error amplifier input signal but also fed to as the boost voltage monitor circuit. \overline{PG} signal is put out if the boost voltage is out-of-spec.

The PWM controller, which begins operation at the same time as release of the IC's UVLO (under-voltage lockout) is suitable for auxiliary power supply use in a multi-output power supply system.

Features

- Synchronized PFC and PWM timing
- Self oscillation with fixed frequency
 - PFC : 100 kHz ($\pm 15\%$)
 - PWM : 200 kHz ($\pm 15\%$)
- PFC function on/off control
- PFC boosted output voltage monitor
- High-output current gate drivers
 - PFC driver peak current : ± 1.5 A typ.
 - PWM driver peak current : ± 1.0 A typ.
- PWM maximum on duty cycle
 - 72% min (HA16141P/FP)
 - 49.5% max (HA16142P/FP)

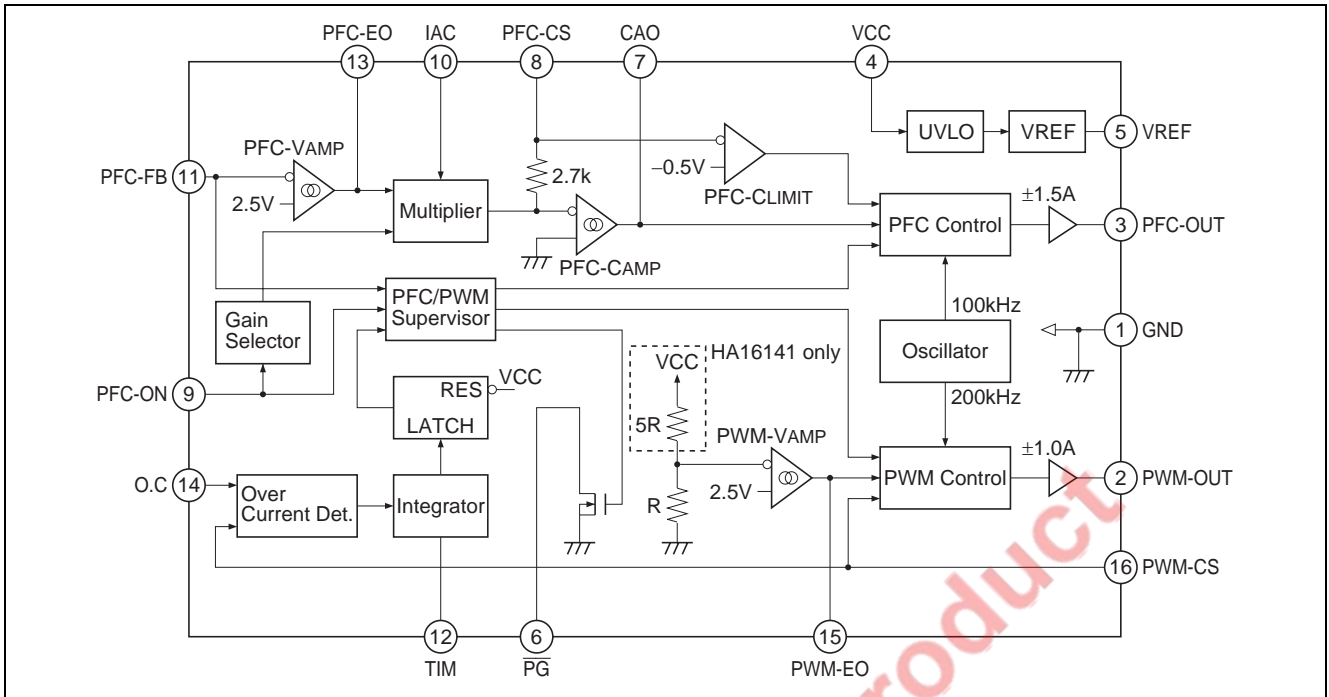
Pin Arrangement



Pin Description

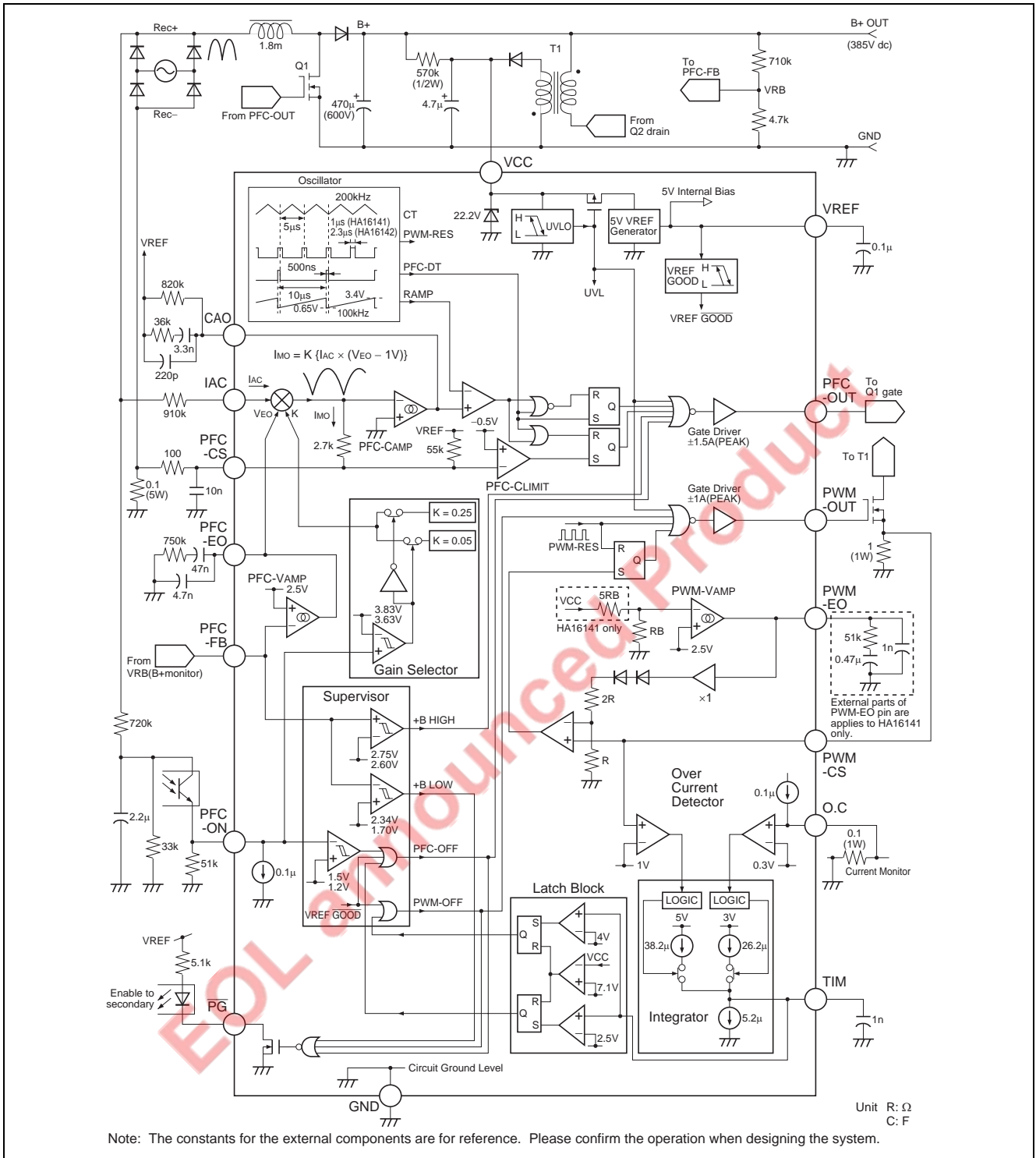
Pin No.	Symbol	Function
1	GND	Ground
2	PWM-OUT	Power MOS FET driver output (PWM control)
3	PFC-OUT	Power MOS FET driver output (PFC control)
4	VCC	Supply voltage
5	VREF	Reference voltage
6	$\overline{\text{PG}}$	Power Good signal output (open-drain output)
7	CAO	Average current control error amp. output
8	PFC-CS	PFC control current sense signal input
9	PFC-ON	PFC function on/off signal input
10	IAC	Multiplier reference current input
11	PFC-FB	PFC control error amp. input
12	TIM	Overcurrent timer time setting
13	PFC-EO	PFC control error amp. output
14	O.C	Overcurrent detector signal input
15	PWM-EO	PWM control error amp. output (photocoupler input also possible) (HA16141 only)
		PWM control feedback voltage signal input (HA16142 only)
16	PWM-CS	PWM control current sense signal input

Block Diagram



EOL announced Product

System Diagram



Absolute Maximum Ratings

(Ta = 25°C)

Item	Symbol	Rating	Unit	Note
Supply voltage	V _{CC}	20	V	
Peak PFC-OUT current	I _{pk-pfc}	±1.5	A	3
Peak PWM-OUT current	I _{pk-pwm}	±1.0	A	3
DC PFC-OUT current	I _{dc-pfc}	±0.15	A	
DC PWM-OUT current	I _{dc-pwm}	±0.10	A	
Terminal voltage	V _{i-group1}	-0.3 to V _{CC}	V	4
	V _{i-group2}	-0.3 to V _{ref}	V	5
CAO voltage	V _{cao}	-0.3 to V _{eh-ca}	V	
PFC-EO voltage	V _{pfc-eo}	-0.3 to V _{eh-pfc}	V	
PWM-EO voltage	V _{pwm-eo}	-0.3 to V _{eh-pwm}	V	
PFC-ON voltage	V _{pfc-on}	-0.3 to +7	V	
IAC voltage	V _{i-ac}	-0.3 to +5	V	
IAC current	I _{i-ac}	0.8	mA	
PFC-CS voltage	V _{i-cs}	-1.5 to +0.3	V	
TIM voltage	V _{i-tim}	-0.3 to +6	V	
VREF current	I _{o-ref}	-20	mA	
P _G voltage	V _{o-pg}	-0.3 to +7	V	
P _G current	I _{o-pg}	15	mA	
Power dissipation	P _T	1	W	6
Operating temperature	T _{opr}	-40 to +105	°C	
Storage temperature	T _{stg}	-55 to +150	°C	
Junction temperature	T _j	150	°C	

Notes: 1. Rated voltages are with reference to the GND pin.

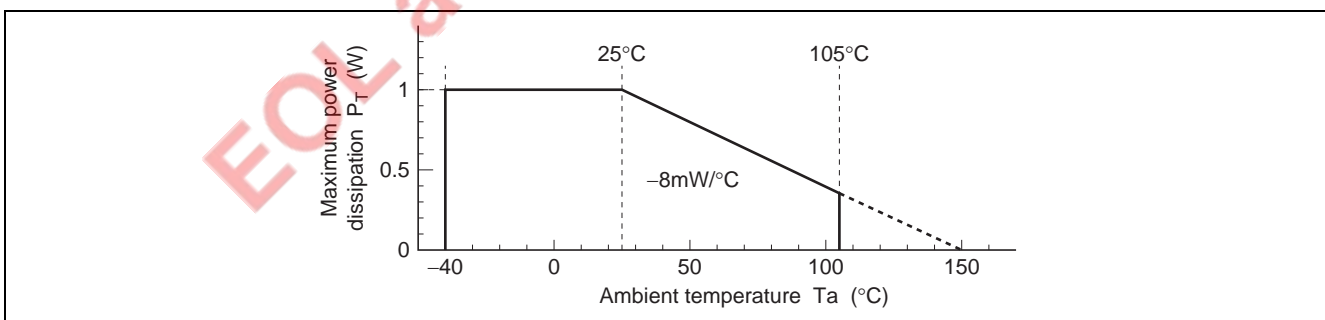
2. For rated currents, inflow to the IC is indicated by (+), and outflow by (-).

3. Shows the transient current when driving a capacitive load.

4. Group1 is the rated voltage for the following pins: PFC-OUT, PWM-OUT

5. Group2 is the rated voltage for the following pins: VREF, PFC-FB, PWM-CS

6. This is the value when the ambient temperature (Ta) is 25°C or below. If Ta exceeds 25°C, the graph below applies. For the SOP package, this value is based on actual measurements on a 10% wiring density glass epoxy circuit board (40 mm × 40 mm × 1.6 mm).



Electrical Characteristics

(Ta = 25°C, V_{CC} = 14 V)

Item	Symbol	Min	Typ	Max	Unit	Test Conditions	
Supply	Start threshold	V _H	12.2	13.0	13.8	V	
	Shutdown threshold	V _L	9.4	10.0	10.6	V	
	UVLO hysteresis	dV _{UVL}	2.6	3.0	3.4	V	
	Start-up current	I _S	150	200	300	μA	V _{CC} = 12V
	I _S temperature stability	dI _S /dT _a	–	–0.3	–	%/°C	*1
	Operating current	I _{CC}	4	7	9	mA	I _{AC} = 100μA, C _L = 0F
	Latch current	I _{LATCH}	230	310	375	μA	V _{CC} = 9V
	Shunt zener voltage	V _Z	21.2	22.2	23.2	V	I _{CC} = 14mA
	V _Z temperature stability	dV _Z /dT _a	–	+4	–	mV/°C	I _{CC} = 14mA *1
PFC-OUT	Minimum duty cycle	D _{min-pfc}	–	–	0	%	CAO = 3.6V
	Maximum duty cycle	D _{max-pfc}	90	95	98	%	CAO = 0V
	Rise time	t _{r-pfc}	–	30	100	ns	C _L = 1000p
	Fall time	t _{f-pfc}	–	30	100	ns	C _L = 1000p
	Peak current	I _{pk-pfc}	–	1.5	–	A	C _L = 0.01μF *1
	Low voltage	V _{ol1-pfc}	–	0.05	0.2	V	I _{out} = 20mA
		V _{ol2-pfc}	–	0.35	1.4	V	I _{out} = 200mA
		V _{ol3-pfc}	–	0.03	0.7	V	I _{out} = 10mA, V _{CC} = 5V
	High voltage	V _{oh1-pfc}	13.5	13.9	–	V	I _{out} = –20mA
V _{oh2-pfc}		12.6	13.3	–	V	I _{out} = –200mA	
PWM-OUT	Minimum duty cycle	D _{min-pwm}	–	–	0	%	PWM-EO = 1.3V PWM-CS = 0V
	Maximum duty cycle	D _{max-pwm}	72	80	88	%	PWM-EO = 5V PWM-CS = 0V *2
			42.5	46	49.5	%	PWM-EO = 5V PWM-CS = 0V *3
	Rise time	t _{r-pwm}	–	30	100	ns	C _L = 1000p
	Fall time	t _{f-pwm}	–	30	100	ns	C _L = 1000p
	Peak current	I _{pk-pwm}	–	1.0	–	A	C _L = 0.01μF *1
	Low voltage	V _{ol1-pwm}	–	0.05	0.2	V	I _{out} = 20mA
		V _{ol2-pwm}	–	0.5	2.0	V	I _{out} = 200mA
		V _{ol3-pwm}	–	0.03	0.7	V	I _{out} = 10mA, V _{CC} = 5V
	High voltage	V _{oh1-pwm}	13.5	13.9	–	V	I _{out} = –20mA
		V _{oh2-pwm}	12.0	13.0	–	V	I _{out} = –200mA
VREF	Output voltage	V _{ref}	4.9	5.0	5.1	V	I _{source} = 1mA
	Line regulation	V _{ref-line}	–	5	20	mV	I _{source} = 1mA V _{CC} = 12V to 18V
	Load regulation	V _{ref-load}	–	5	20	mV	I _{source} = 1mA to 20mA
	Temperature stability	dV _{ref}	–	80	–	ppm/°C	T _a = –40 to 105°C *1

Notes: 1. Design spec.

2. Apply to HA16141.

3. Apply to HA16142.

Electrical Characteristics (cont.)

(Ta = 25°C, V_{CC} = 14 V)

Item	Symbol	Min	Typ	Max	Unit	Test Conditions	
Oscillator	Initial accuracy	fpwm	170	200	230	kHz	Measured pin: PWM-OUT
		fpfc	85	100	115	kHz	Measured pin: PFC-OUT
	fpwm temperature stability	dfpwm/dTa	–	±0.1	–	%/°C	Ta = –40 to 105°C * ¹
	fpwm voltage stability	fpwm(line)	–1.5	+0.5	+1.5	%	V _{CC} = 12V to 18V
	Ramp peak voltage	Vramp-H	–	3.4	3.6	V	
	Ramp valley voltage	Vramp-L	–	0.65	–	V	* ¹
PFC-ON	PFC on voltage	Von-pfc	1.3	1.5	1.7	V	
	PFC off voltage	Voff-pfc	1.0	1.2	1.4	V	
	PFC on-off hysteresis	dVon-off	0.15	0.30	0.45	V	
	Input current	lpfc-on	–	0.1	1.0	μA	PFC-ON = 2V
Supervisor/ PG	PFC GOOD threshold voltage	Vb-good	2.29	2.34	2.39	V	Input pin: PFC-FB
	PFC FAIL threshold voltage	Vb-fail	1.66	1.70	1.74	V	Input pin: PFC-FB
	+B High PFC inhibit voltage	Vb-h	2.69	2.75	2.81	V	Input pin: PFC-FB
	+B High PFC restart voltage	Vb-res	2.54	2.60	2.66	V	Input pin: PFC-FB
	PG leak current	loff-pg	–	0.001	1.0	μA	PG = 5V
	PG shunt current	lon-pg	5	15	–	mA	PG = 3V * ²
	Delay to PG	tg-pg	–	0.2	1	μs	Step signal (5 to 0V) to PFC-ON
O.C (Over Current Detector)	O.C threshold voltage	Voc	0.27	0.30	0.33	V	
	PWM-CS threshold voltage	Vcs	0.9	1.0	1.1	V	
	O.C input current	loc	–	–0.1	–1.0	μA	O.C = 0V
Integrator	Sink current	lsnk-tim	3.9	5.2	6.5	μA	TIM = 2V
	Source current O.C trigger	lsrc-tim1	–16	–21	–26	μA	TIM = 2V, O.C = 0.5V * ¹
	Source Current PWM-CS trigger	lsrc-tim2	–25	–33	–41	μA	TIM = 2V, PWM-CS = 2V * ¹
	Integrated time O.C trigger	t-tim1	88	110	132	μs	Step signal (0 to 1V) to O.C, C _{tim} = 1000p, Measured pin: PG
	Integrated Time PWM-CS trigger	t-tim2	53	67	81	μs	Step signal (0 to 2V) to PWM-CS, C _{tim} = 1000p, Measured pin: PG

Notes: 1. Design spec.

2. Maximum rating of PG current is 15 mA. Use series resistor to limit PG current lower than 15 mA.

Electrical Characteristics (cont.)

(Ta = 25°C, V_{CC} = 14 V)

Item		Symbol	Min	Typ	Max	Unit	Test Conditions
Latch	Threshold voltage for PFC stop	Vlch-pfc	2.4	2.5	2.6	V	Input pin: TIM
	Threshold Voltage for PWM stop	Vlch-sys	3.8	4.0	4.2	V	Input pin: TIM
	Latch Reset Voltage	Vcc-res	6.1	7.1	8.1	V	
PWM-V _{AMP}	Feedback V _{CC} voltage	Vfb-pwm	14.2	14.8	15.4	V	PWM-EO = 2.5V *2
	Open loop gain	Av-pwm	–	45	–	dB	*1, *2
	High voltage	Veoh-pwm	5.1	5.7	6.3	V	V _{CC} = 14V, PWM-EO: Open
	Low voltage	Veol-pwm	–	0.1	0.3	V	V _{CC} = 16V, PWM-EO: Open *2
	Source current	Isrc-pwm	–	–77	–	μA	*1 V _{CC} = 11V
	Sink current	Isnk-pwm	–	77	–	μA	*1 V _{CC} = 18V *2
	Transconductance respect to V _{CC}	Gm-pwm	19	27	35	μA/V	V _{CC} = 15V, PWM-EO = 2.5V *2
PWM current sense	Delay to output	td-cs	–	210	300	ns	PWM-EO = 5V, PWM-CS = 0 to 2V
PFC current limit	Threshold voltage	V _{LM}	–0.47	–0.50	–0.53	V	
	Delay to output	td-LM	–	280	500	ns	PFC-CS = 0 to –1V
PFC-V _{AMP}	Feedback voltage	Vfb-pfc	2.45	2.50	2.55	V	PFC-EO = 2.5V
	Input bias current	I _{fb-pfc}	–0.30	–0.07	+0.30	μA	Measured pin: PFC-FB
	Open loop gain	Av-pfc	–	65	–	dB	*1
	High voltage	Veoh-pfc	5.1	5.7	6.3	V	PFC-FB = 2.3V, PFC-EO: Open
	Low voltage	Veol-pfc	–	0.1	0.3	V	PFC-FB = 2.7V, PFC-EO: Open
	Source current	Isrc-pfc	–62	–77	–93	μA	PFC-FB = 1.0V, PFC-EO = 2.5V
	Sink current	Isnk-pfc	62	77	93	μA	PFC-FB = 4.0V, PFC-EO = 2.5V
Transconductance	Gm-pfcv	120	160	200	μA/V	PFC-FB = 2.5V, PFC-EO = 2.5V	

Notes: 1. Design spec.

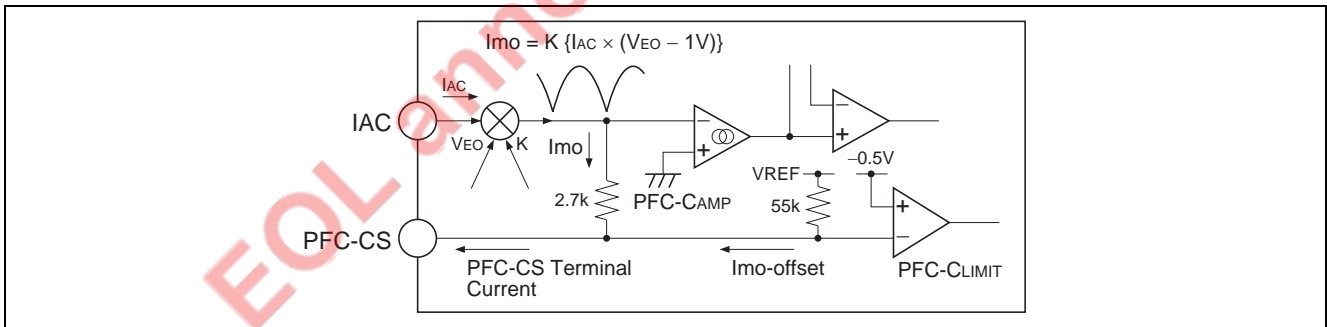
2. Apply to HA16141.

Electrical Characteristics (cont.)

(Ta = 25°C, VCC = 14 V)

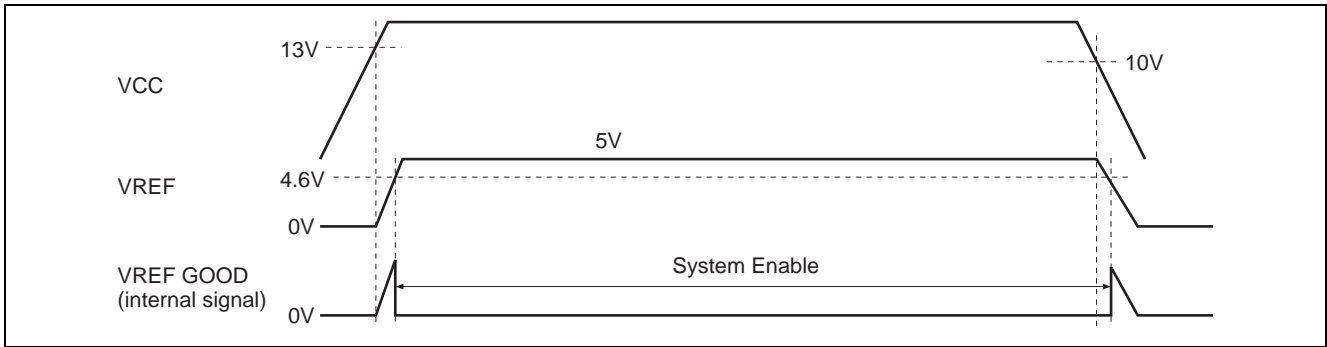
Item	Symbol	Min	Typ	Max	Unit	Test Conditions	
PFC-CAMP	Input offset voltage	Vio-ca	-	±7	-	mV *1	
	Open loop gain	Av-ca	-	65	-	dB *1	
	High voltage	Veoh-ca	5.1	5.7	6.3	V	
	Low voltage	Veol-ca	-	0.1	0.3	V	
	Source current	Isrc-ca	-	-77	-	µA	CAO = 2.5V *1
	Sink current	Isnk-ca	-	77	-	µA	CAO = 2.5V *1
	Transconductance	Gm-pfcc	120	160	200	µA/V	*1
IAC/ Multiplier	IAC PIN voltage	Viac	0.7	1.0	1.3	V	IAC = 100µA
	Terminal offset current	Imo-offset	-56	-75	-94	µA	IAC = 0A, PFC-CS = 0V, Measured pin: PFC-CS
	Output current (PFC-ON = 3.4V)	Imo1	-	-25	-	µA	PFC-EO = 2V, IAC = 100µA *1, *2
		Imo2	-	-75	-	µA	PFC-EO = 4V, IAC = 100µA *1, *2
	Output current (PFC-ON = 3.9V)	Imo3	-	-5	-	µA	PFC-EO = 2V, IAC = 100µA *1, *2
		Imo4	-	-15	-	µA	PFC-EO = 4V, IAC = 100µA *1, *2
PFC-CS resistance	Rmo	-	2.7	-	kΩ	*1	
Gain selector	Threshold voltage for K = 0.05	V _{K-H}	3.71	3.83	3.95	V	
	Threshold voltage for K = 0.25	V _{K-L}	3.51	3.63	3.75	V	
	V _K hysteresis voltage	dV _K	0.15	0.20	0.25	V	*1

- Notes: 1. Design spec.
 2. Imo1 to Imo4 are defined as,
 Imo = (PFC-CS Terminal Current) – (Imo-offset)

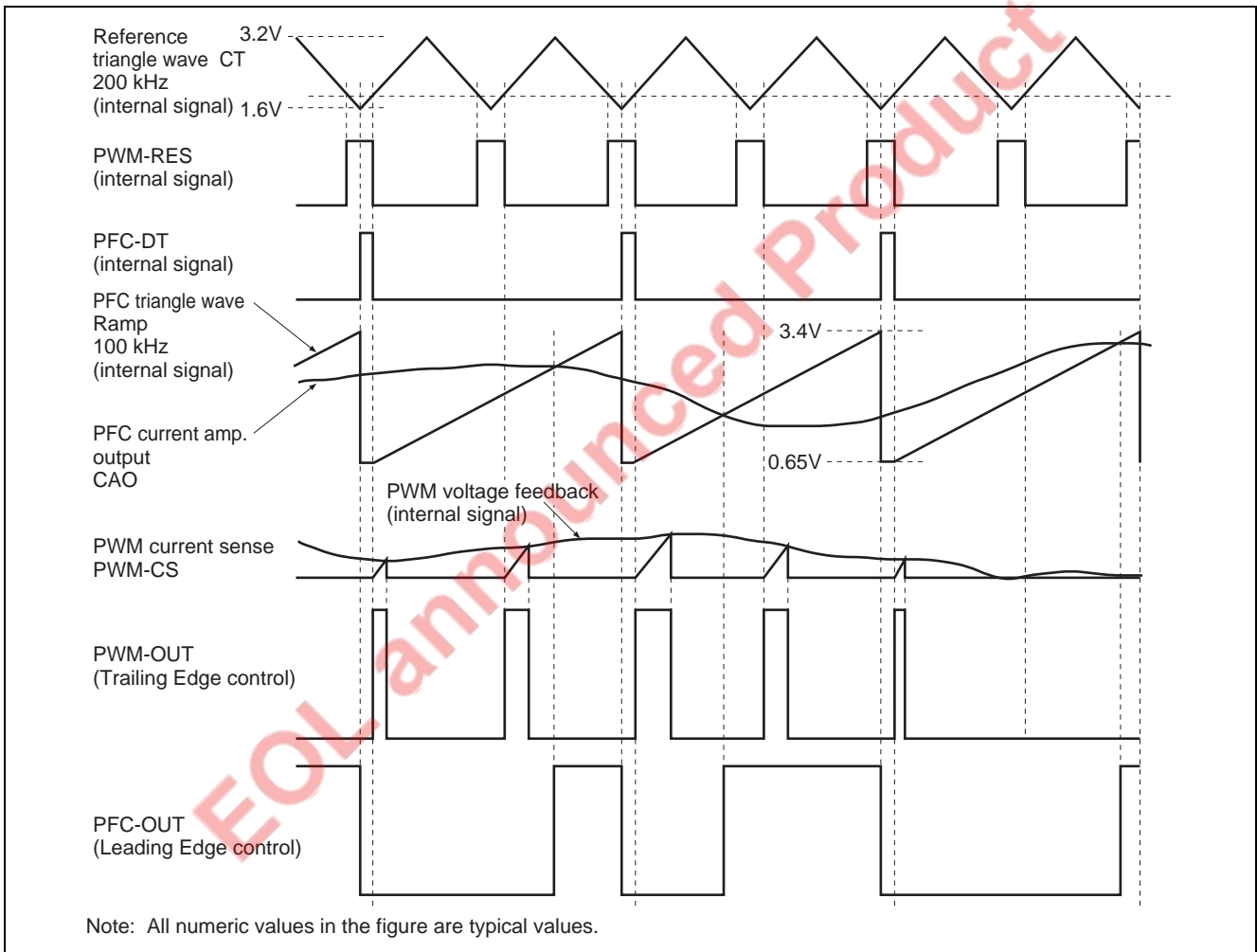


Internal Timing

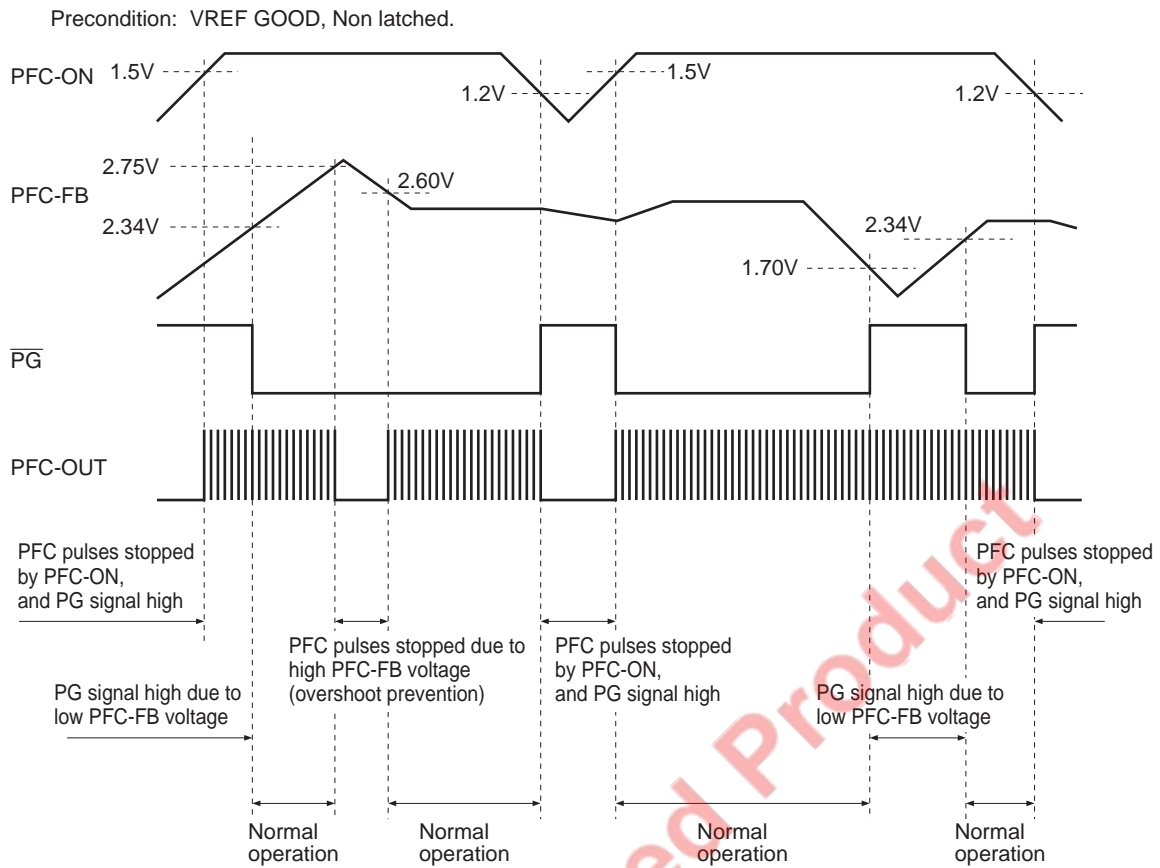
1. UVLO



2. Oscillator, Gate driver output



3. PFC controller status



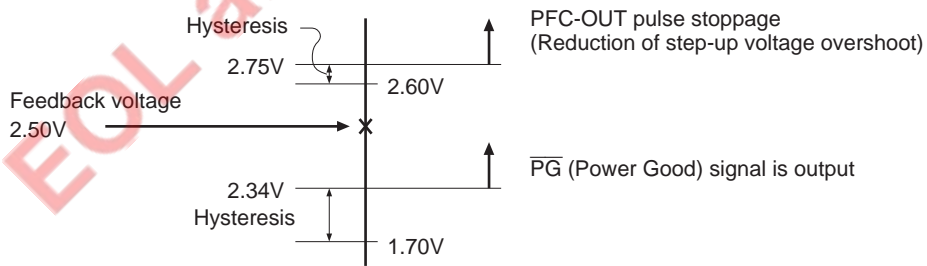
Notes: 1. All numeric values in the figure are typical values.

2. PFC-ON

The HA16141P/FP can perform on/off control of the PFC function using the PFC-ON pin. If an AC voltage that has undergone primary rectification and has been divided with an external resistance is input, PFC stoppage is possible in the event of a low input voltage. On/off control by means of a logic signal is also possible.

3. PFC-FB

The input to this pin is the voltage obtained by dividing the stepped-up PFC output voltage. The pin voltage is fed back to the PFC control system, and is also used for step-up voltage logic decisions. This is outlined in the figure below.



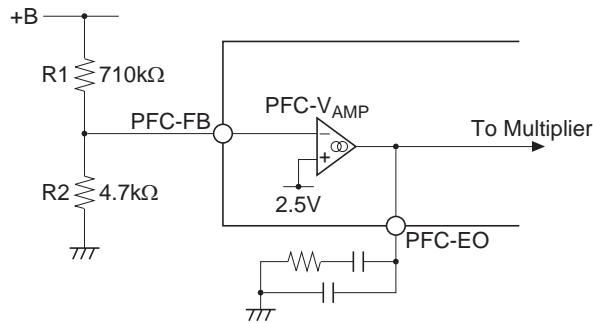
(Note 3 is continued on the next page)

3. PFC controller status (cont.)

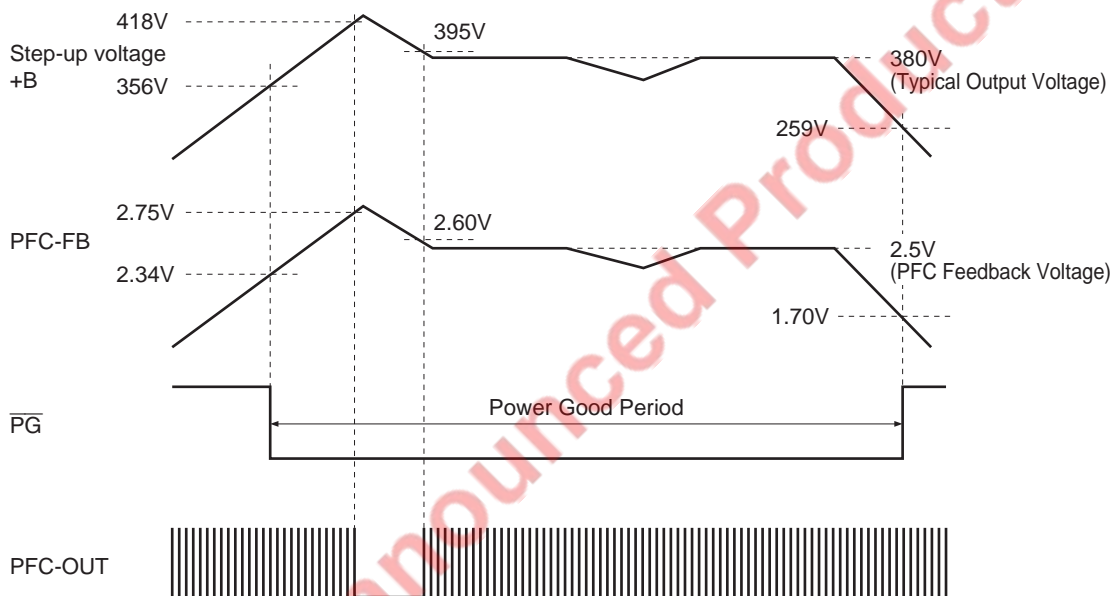
Notes: 3. PFC-FB (cont.)

The actual input voltage to the PFC-FB pin is the step-up voltage divided with a resistance (see figure below).

If R1 is set as 710 kΩ and R2 as 4.7 kΩ, the decision voltage at the step-up pin (+B) is as shown in the figure below.



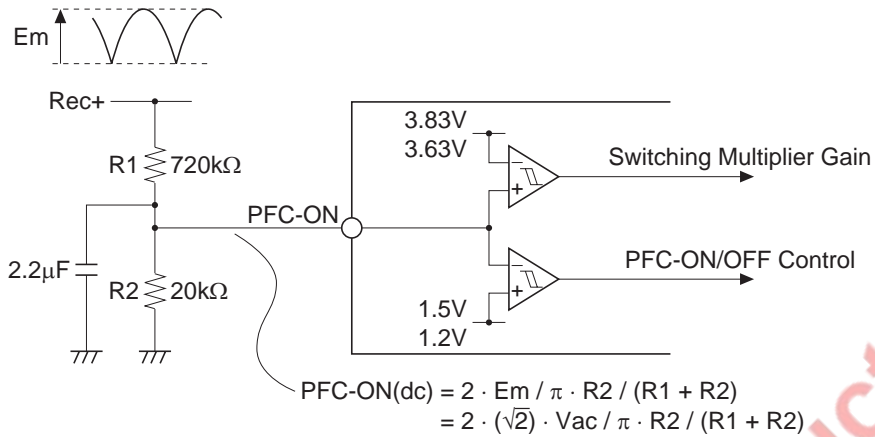
Precondition: VREF GOOD, PFC-ON, Non latched.



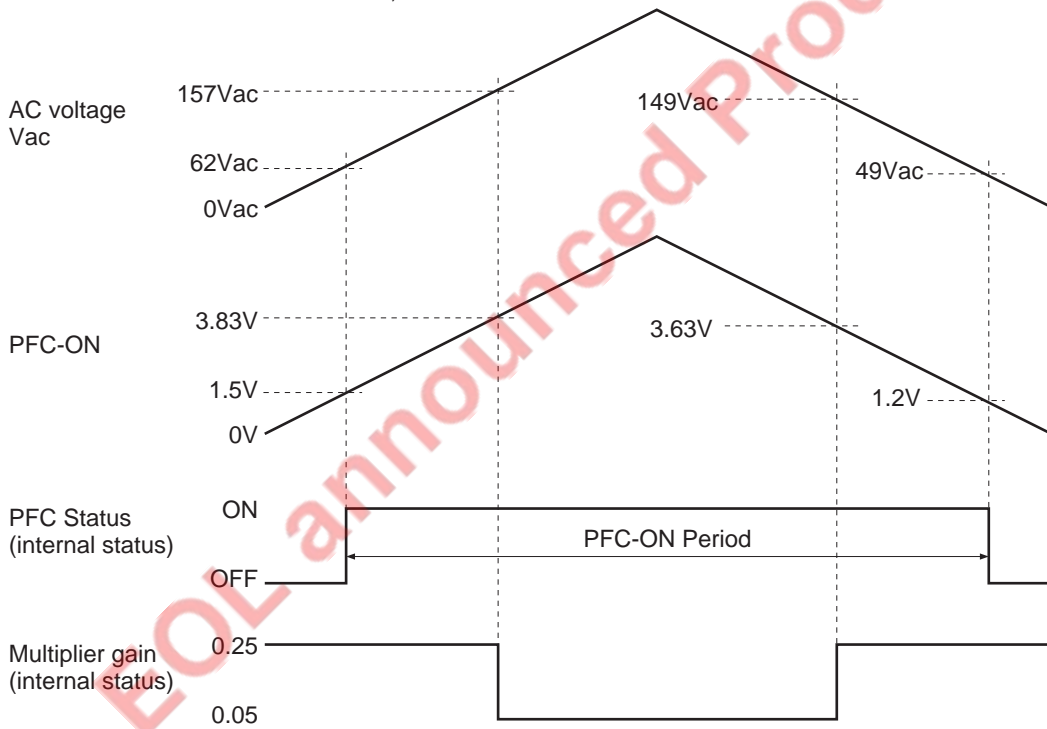
Notes: 4. All numeric values in the figure are typical values.

4. PFC-ON pin

The following functions are effected by inputting an AC voltage that has undergone primary rectification and has been divided with an external resistance to the PFC-ON pin (see figure below).
 a) Turning PFC operation off when AC voltage is low
 b) Switching multiplier gain with AC 100 V system and 200 V system input

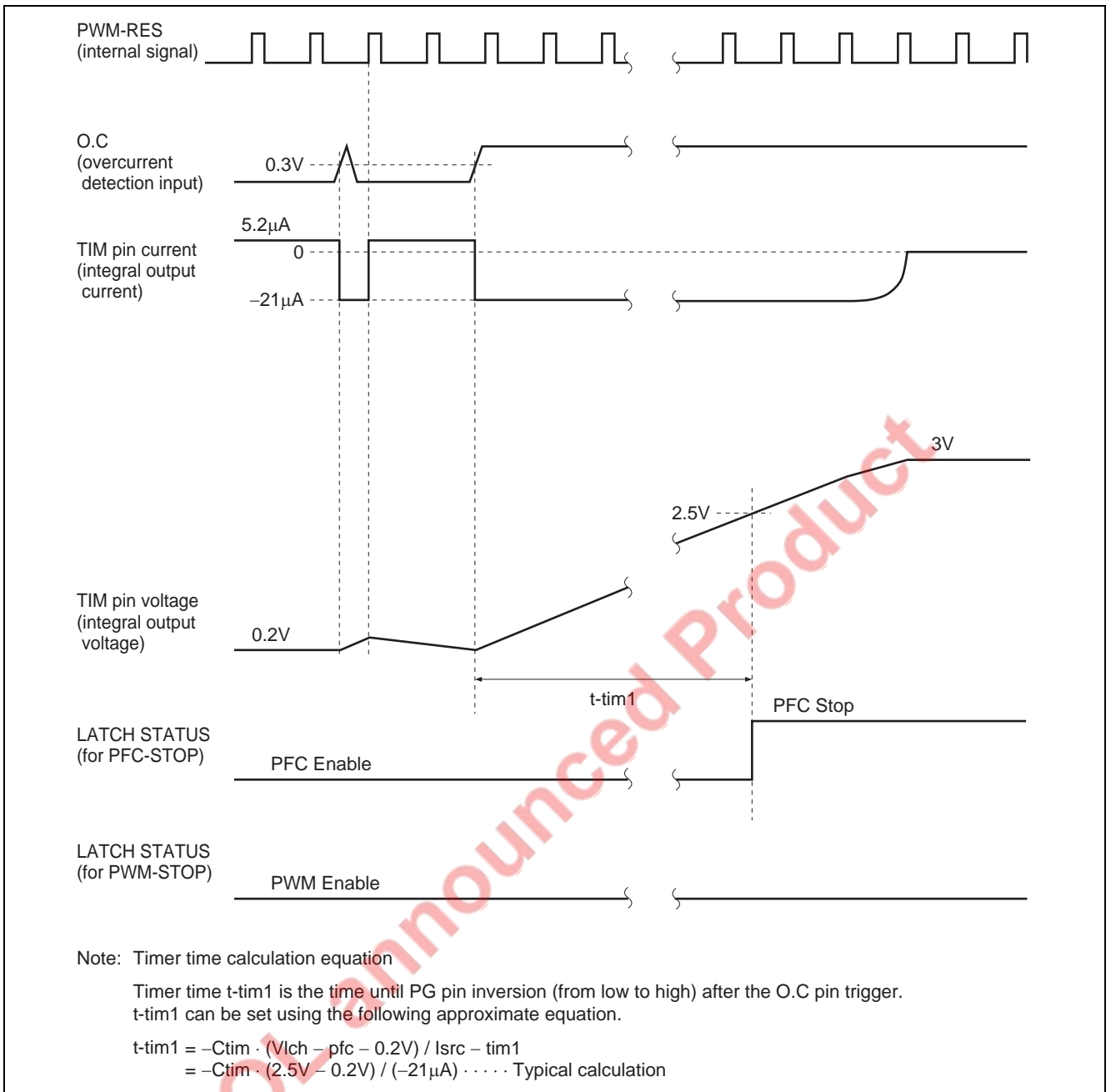


Precondition: VREF GOOD, Non latched.

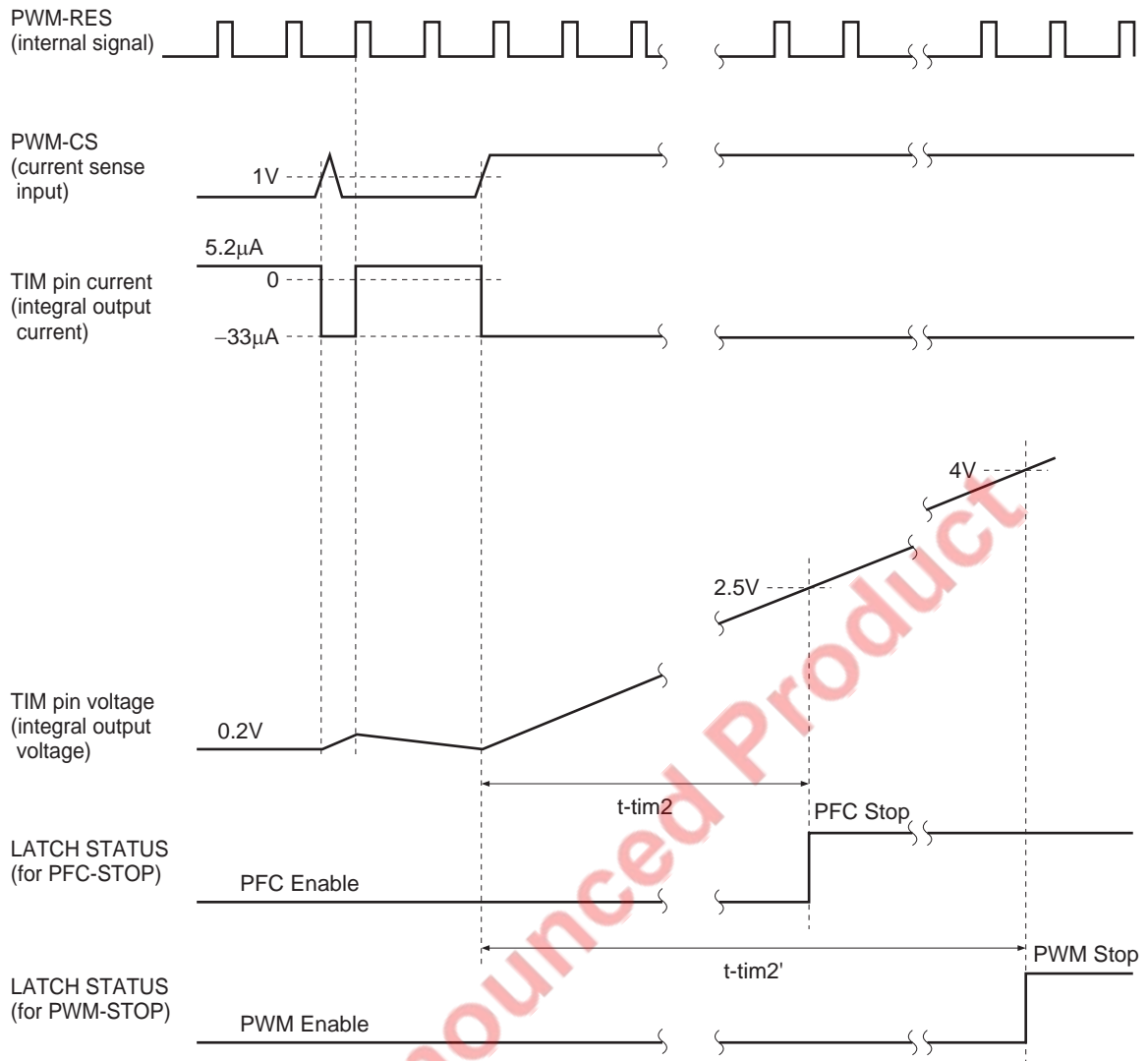


Note: All numeric values in the figure are typical values.

5. Integrator (OC detection operation)



6. Integrator (PWM-CS detection operation)



Note: Timer time calculation equation

Timer time t-tim2 is the time until PG pin inversion (from low to high) after the PWM-CS pin trigger. t-tim2 can be set using the following approximate equation.

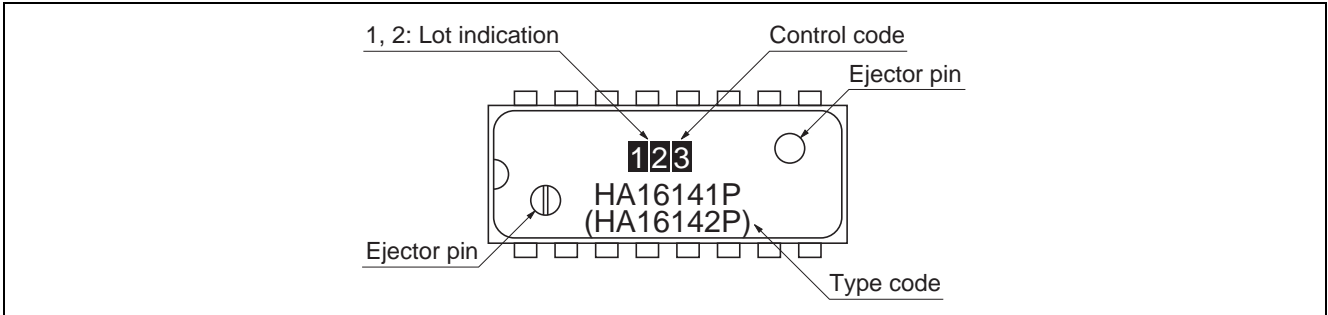
$$t-tim2 = -C_{tim} \cdot (V_{Ich} - pfc - 0.2V) / I_{src} - tim2$$

$$= -C_{tim} \cdot (2.5V - 0.2V) / (-33\mu A) \dots \dots \text{Typical calculation}$$

The time at which both the PFC and PWM functions are stopped by this timer can be calculated using the following approximate equation.

$$t-tim2' = 1.65 \cdot t - tim2 \dots \dots \text{Typical calculation}$$

Mark Pattern



Notes: 1. Example of lot indication.

For example, a product manufactured in May 2000 has the markings "0E" in positions **1 2** in the above figure.

Production		Indication	
Month	Year	1	2
May	2000	0	E

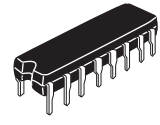
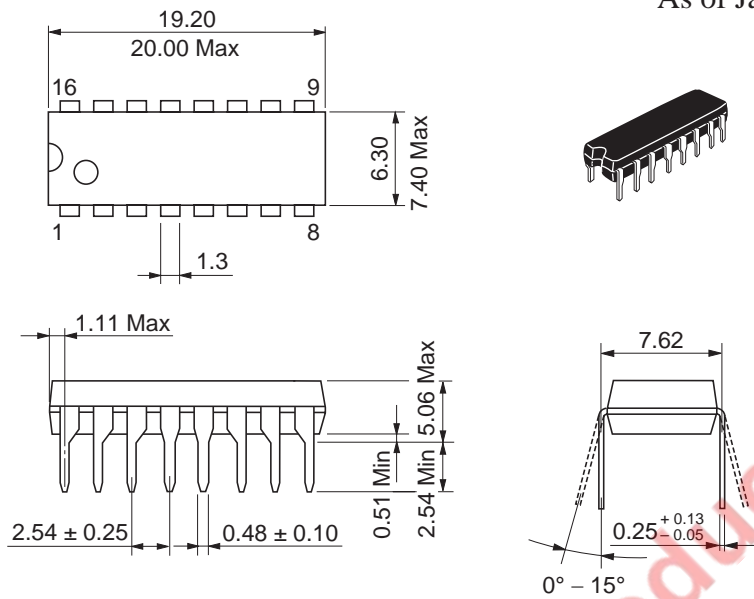
Month	Jan	Feb	Mar	Apr	May	Jun	Jul	Aug	Sep	Oct	Nov	Dec
Code	A	B	C	D	E	F	G	H	J	K	L	M

2. Laser marking is used.

EOL announced Product

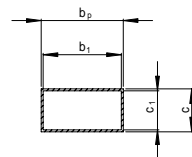
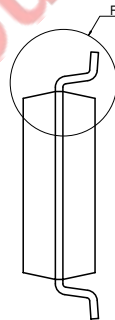
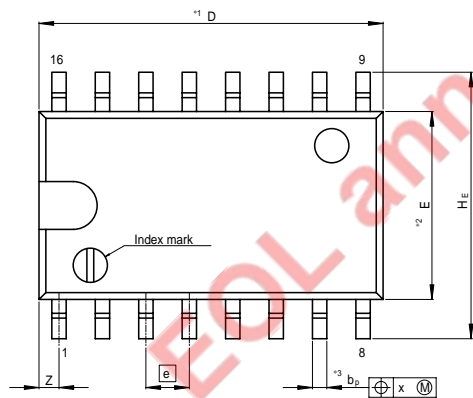
Package Dimensions

As of January, 2003
Unit: mm



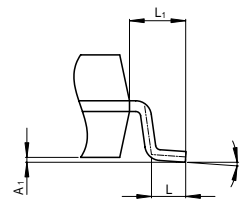
Package Code	DP-16
JEDEC	Conforms
JEITA	Conforms
Mass (reference value)	1.07 g

JEITA Package Code	RENEASAS Code	Previous Code	MASS[Typ.]
P-SOP16-5.5x10.06-1.27	PRSP0016DH-A	FP-16DA	0.24g



Terminal cross section

NOTE)
1. DIMENSIONS*1 (Nom)*AND*2*
DO NOT INCLUDE MOLD FLASH.
2. DIMENSION*3*DOES NOT
INCLUDE TRIM OFFSET.



Detail F

Reference Symbol	Dimension in Millimeters		
	Min	Nom	Max
D	—	10.06	10.5
E	—	5.5	—
A ₂	—	—	—
A ₁	0.00	0.10	0.20
A	—	—	2.20
b _p	0.34	0.42	0.50
b ₁	—	0.40	—
c	0.17	0.22	0.27
c ₁	—	0.20	—
θ	0°	—	8°
H _E	7.50	7.80	8.00
e	—	1.27	—
x	—	—	0.12
y	—	—	0.15
Z	—	—	0.80
L	0.50	0.70	0.90
L ₁	—	1.15	—

Renesas Technology Corp. Sales Strategic Planning Div. Nippon Bldg., 2-6-2, Ohte-machi, Chiyoda-ku, Tokyo 100-0004, Japan

Keep safety first in your circuit designs!

1. Renesas Technology Corp. puts the maximum effort into making semiconductor products better and more reliable, but there is always the possibility that trouble may occur with them. Trouble with semiconductors may lead to personal injury, fire or property damage.
Remember to give due consideration to safety when making your circuit designs, with appropriate measures such as (i) placement of substitutive, auxiliary circuits, (ii) use of nonflammable material or (iii) prevention against any malfunction or mishap.

Notes regarding these materials

1. These materials are intended as a reference to assist our customers in the selection of the Renesas Technology Corp. product best suited to the customer's application; they do not convey any license under any intellectual property rights, or any other rights, belonging to Renesas Technology Corp. or a third party.
2. Renesas Technology Corp. assumes no responsibility for any damage, or infringement of any third-party's rights, originating in the use of any product data, diagrams, charts, programs, algorithms, or circuit application examples contained in these materials.
3. All information contained in these materials, including product data, diagrams, charts, programs and algorithms represents information on products at the time of publication of these materials, and are subject to change by Renesas Technology Corp. without notice due to product improvements or other reasons. It is therefore recommended that customers contact Renesas Technology Corp. or an authorized Renesas Technology Corp. product distributor for the latest product information before purchasing a product listed herein.
The information described here may contain technical inaccuracies or typographical errors.
Renesas Technology Corp. assumes no responsibility for any damage, liability, or other loss rising from these inaccuracies or errors.
Please also pay attention to information published by Renesas Technology Corp. by various means, including the Renesas Technology Corp. Semiconductor home page (<http://www.renesas.com>).
4. When using any or all of the information contained in these materials, including product data, diagrams, charts, programs, and algorithms, please be sure to evaluate all information as a total system before making a final decision on the applicability of the information and products. Renesas Technology Corp. assumes no responsibility for any damage, liability or other loss resulting from the information contained herein.
5. Renesas Technology Corp. semiconductors are not designed or manufactured for use in a device or system that is used under circumstances in which human life is potentially at stake. Please contact Renesas Technology Corp. or an authorized Renesas Technology Corp. product distributor when considering the use of a product contained herein for any specific purposes, such as apparatus or systems for transportation, vehicular, medical, aerospace, nuclear, or undersea repeater use.
6. The prior written approval of Renesas Technology Corp. is necessary to reprint or reproduce in whole or in part these materials.
7. If these products or technologies are subject to the Japanese export control restrictions, they must be exported under a license from the Japanese government and cannot be imported into a country other than the approved destination.
Any diversion or reexport contrary to the export control laws and regulations of Japan and/or the country of destination is prohibited.
8. Please contact Renesas Technology Corp. for further details on these materials or the products contained therein.



RENESAS SALES OFFICES

<http://www.renesas.com>

Refer to "<http://www.renesas.com/en/network>" for the latest and detailed information.

Renesas Technology America, Inc.
450 Holger Way, San Jose, CA 95134-1368, U.S.A
Tel: <1> (408) 382-7500, Fax: <1> (408) 382-7501

Renesas Technology Europe Limited
Dukes Meadow, Millboard Road, Bourne End, Buckinghamshire, SL8 5FH, U.K.
Tel: <44> (1628) 585-100, Fax: <44> (1628) 585-900

Renesas Technology Hong Kong Ltd.
7th Floor, North Tower, World Finance Centre, Harbour City, 1 Canton Road, Tsimshatsui, Kowloon, Hong Kong
Tel: <852> 2265-6688, Fax: <852> 2730-6071

Renesas Technology Taiwan Co., Ltd.
10th Floor, No.99, Fushing North Road, Taipei, Taiwan
Tel: <886> (2) 2715-2888, Fax: <886> (2) 2713-2999

Renesas Technology (Shanghai) Co., Ltd.
Unit2607 Ruijing Building, No.205 Maoming Road (S), Shanghai 200020, China
Tel: <86> (21) 6472-1001, Fax: <86> (21) 6415-2952

Renesas Technology Singapore Pte. Ltd.
1 Harbour Front Avenue, #06-10, Keppel Bay Tower, Singapore 098632
Tel: <65> 6213-0200, Fax: <65> 6278-8001