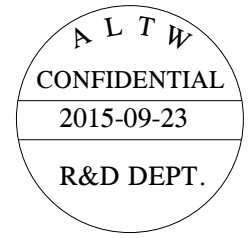
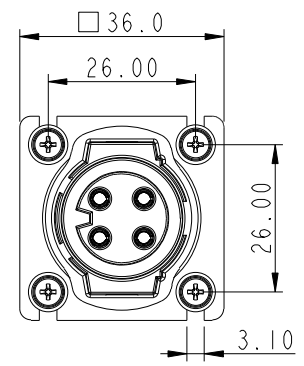
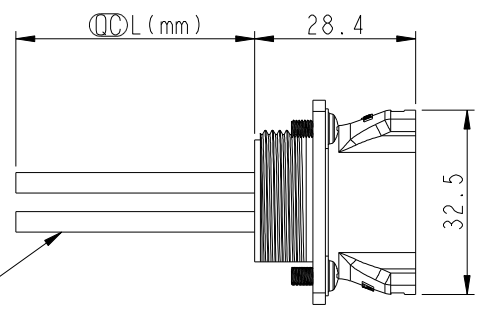
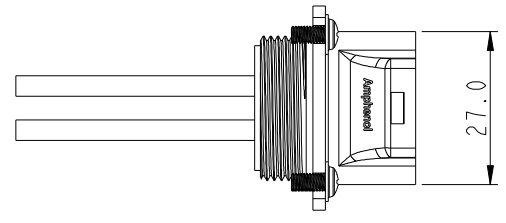
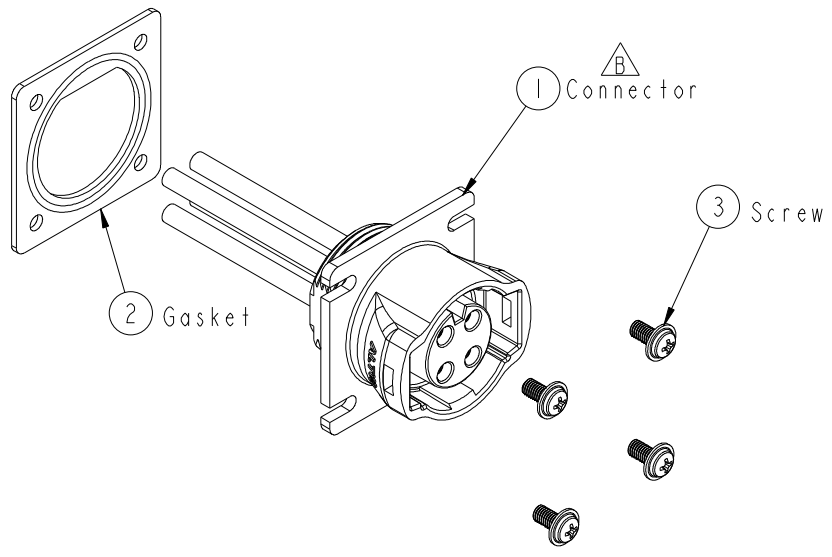
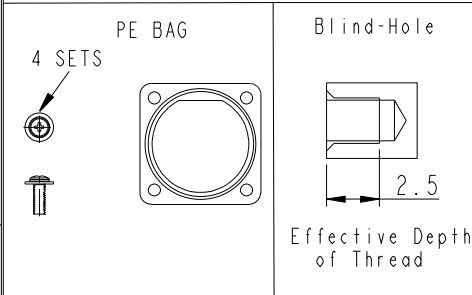
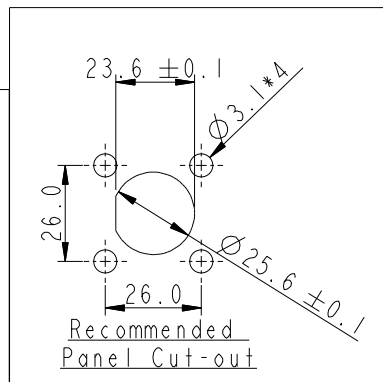


REV.	ECN NO.	DATE	SIGN	DESCRIPTION
B	LE315A0067~69	2015/09/23	Joyy	Update The Drawing



- Note:
- * \varnothing Important Dimension To Check.
 - * Waterproof Rate: IP67
 - * Housing: M-PPE, Black.
 - * Female Pin: Copper Alloy, Gold Plated.
 - * Gasket: Silicone, Gray.
 - * Wire Harness: UL1015 12#
 - * Blind holes for the screws used M3X0.5mm
 - * Blind Hole Size M3X0.5mm
 - * Screw Torque: 1.5~2kgf.cm
 - * Wire Harness Tolerance: 100~300mm \pm 15mm
301~1000mm \pm 20mm
 - * Prohibiting the use of place in oils



UNIT:mm	\varnothing	TITLE	LARGE PANEL RBL F CONN F PIN		
TOLERANCE \pm 0.5		SCALE	3:4	SIZE	A4
		REV.	B	WC-REV.	A.5
					\varnothing : Inspection item

Amphenol LTW
安費諾亮泰企業股份有限公司

ITEM NO	DRAWN BY	DATE
	Joyy	2015-09-23
DWG NO	CHECKED BY	DATE
DC-XXRFFC-RS7AXX	Lu Di	2015-09-23
CUSTOMER	APPROVED BY	DATE
ALTW	Jerry	2015-09-23

THIS DOCUMENT IS SUBJECT TO CHANGE WITHOUT NOTICE. IT IS CONFIDENTIAL AND A PROPERTY OF Amphenol LTW. DISCLOSURE TO THIRD PARTY HAS TO BE AUTHORIZED BY Amphenol LTW.

F

E

D

C

B

A

DC-XXRFFC-RS7AXX

Large Size Current Rating 20A

XX:No. Of Pin(Pin 數)

R:Panel Rear Mounting(後續嵌面板式)

F:Female Connector(母座)

F:Female Pin(母Pin)

C: Crimp Type(壓線組裝式)

AXX : 100~1000mm

A10 : 100mm

A20 : 200mm

⋮

⋮

A01 : 1000mm

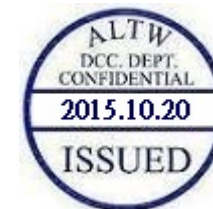
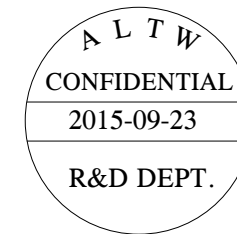
A: UL 1015

B: UL 1430

7: IP67(防水等級 67)

S: Square(方座)

R: Snap In With Latch(彈臂卡合)



Pin Out	4	--	4	Green 綠	4	Green 綠
	3	White 白	3	White 白	3	White 白
	2	--	2	--	2	Red 紅
	1	Black 黑	1	Black 黑	1	Black 黑
Pin Assignments Front View						
	2Pin		3Pin		4Pin	

UNIT:mm		TITLE LARGE PANEL RBL F CONN F PIN		ITEM NO	DRAWN BY Joyy	DATE 2015-09-23
TOLERANCE ±0.5		SCALE 3:4	SIZE A4	DWG NO DC-XXRFFC-RS7AXX	CHECKED BY Lu Di	DATE 2015-09-23
REV. B	WC-REV. A.5	SHEET 2 OF 2		CUSTOMER ALTW	APPROVED BY Jerry	DATE 2015-09-23
		QC: Inspection item		Amphenol LTW 安費諾亮泰企業股份有限公司		