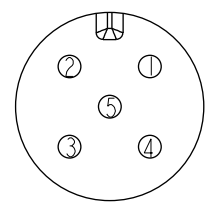
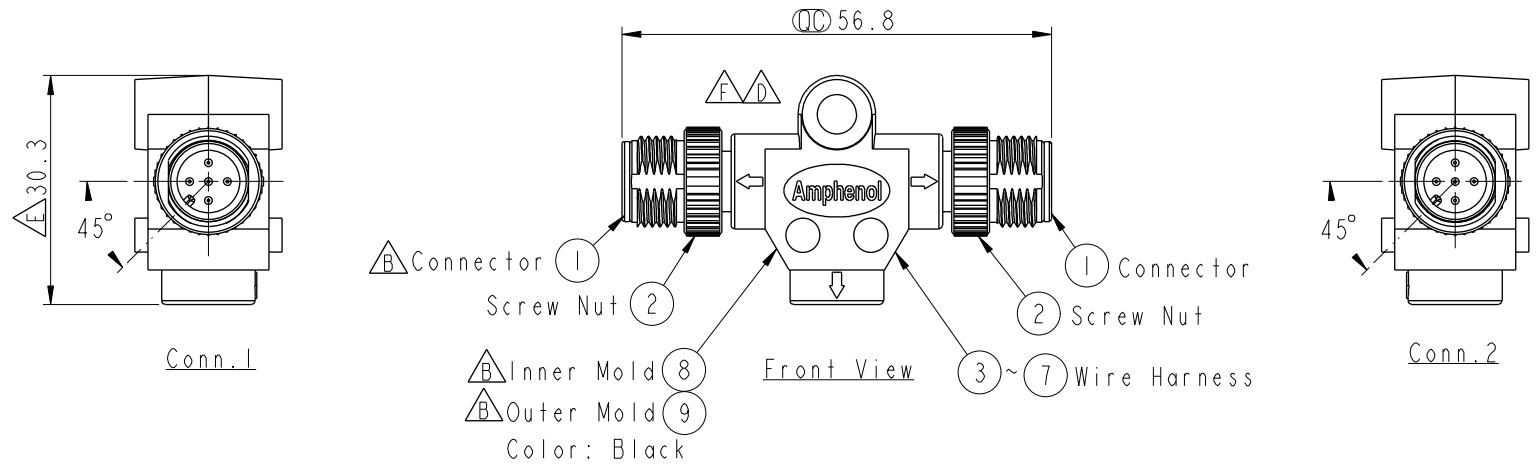


THIS DOCUMENT IS SUBJECT TO CHANGE WITHOUT NOTICE. IT IS CONFIDENTIAL AND A PROPERTY OF Amphenol LTW. DISCLOSURE TO THIRD PARTY HAS TO BE AUTHORIZED BY Amphenol LTW.

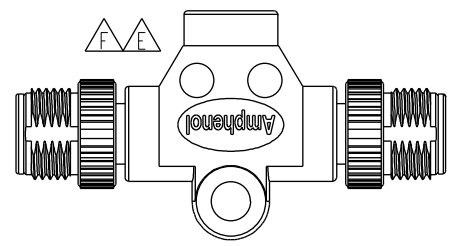
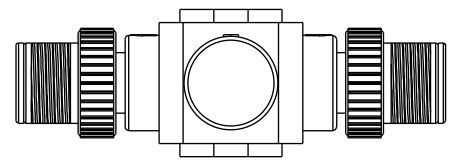
REV.	ECN NO.	DATE	SIGN	DESCRIPTION
D	LEN1350148	2013/05/08	Lu Di	Change Logo
E	LEN1660548	2016/02/22	Jinhai	Change Dimension&Add View
F	LE31730074	2017/03/01	Ruru	Change Outer Mold Design



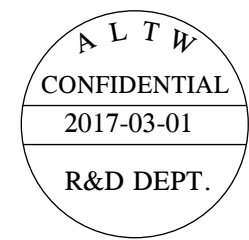
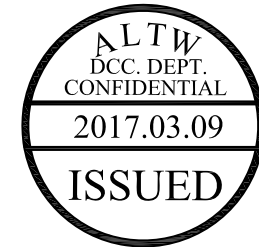
Pin Assignments
Front View

Wire Color	Conn.1	Conn.2
Red /紅	5	5
Green /綠	4	4
Blue /藍	3	3
White /白	2	2
Black /黑	1	1

Pin Out



Back View



- Note:
- * \varnothing Important Dimension
 - * Waterproof Rate: IP67
 - * Connector: PU, Black
 - * Screw Nut: Zinc Alloy, Nickel Plated
 - * Male Pin: Copper Alloy, Gold Plated
 - * Wire Harness: UL1007 24AWG 5Pcs

UNIT:mm TOLERANCE ± 0.5 \triangle	TITLE M12 Conn 1 Adapt Screw MM Conn MM Pin		Amphenol LTW 安費諾亮泰企業股份有限公司	ITEM NO SS-000505-0MM-IS001	DRAWN BY Ruru	DATE 2017-03-01
	SCALE 1:1	SIZE A4		SHEET 1 OF 1	DWG NO SS-000505-0MM-IS001	CHECKED BY Rita
REV. F	WC-REV. A.3	\varnothing : Inspection item	CUSTOMER ALTW	APPROVED BY Max	DATE 2017-03-01	