



Terminals & Splices > Terminal Housings, Insulation Sleeves & Blocks > Crimp Terminal Housings



Terminal Type: **Receptacle**

Connector & Housing Type: **Receptacle**

Number of Positions: **3**

Terminal Orientation: **Straight**

UL Flammability Rating: **UL 94V-2**

Features

Product Type Features

Sealable	No
Connector & Housing Type	Receptacle

Configuration Features

Number of Positions	3
---------------------	---

Body Features

Connector & Keying Code	B
Primary Product Color	Natural

Contact Features

Terminal Type	Receptacle
Terminal Orientation	Straight
Contact Mating Retention	With

Mechanical Attachment

Mating Alignment	With
Connector Mounting Type	Cable Mount (Free-Hanging)

Housing Features

Housing Material	Nylon
Centerline (Pitch)	5.08 mm, 5.97 mm [.2 in][.235 in]

Dimensions

Product Length	24.64 mm [.97 in]
Wire Size	.823 mm ²

Usage Conditions

Operating Temperature Range	-40 – 105 °C [-40 – 221 °F]
-----------------------------	-----------------------------

Industry Standards

UL Flammability Rating	UL 94V-2
------------------------	----------

Packaging Features

Packaging Quantity	1
Packaging Method	Carton

Product Compliance

[For compliance documentation, visit the product page on TE.com>](#)

EU RoHS Directive 2011/65/EU	Compliant
EU ELV Directive 2000/53/EC	Compliant
China RoHS 2 Directive MIIT Order No 32, 2016	No Restricted Materials Above Threshold
EU REACH Regulation (EC) No. 1907/2006	Current ECHA Candidate List: JUNE 2024 (241) Candidate List Declared Against: JAN 2023 (233) Does not contain REACH SVHC
Halogen Content	Low Halogen - Br, Cl, F, I < 900 ppm per homogenous material. Also BFR/CFR/PVC Free
Solder Process Capability	Not applicable for solder process capability

Product Compliance Disclaimer

This information is provided based on reasonable inquiry of our suppliers and represents our current actual knowledge based on the information they provided. This information is subject to change. The part numbers that TE has identified as EU RoHS compliant have a maximum concentration of 0.1% by weight in homogenous materials for lead, hexavalent chromium, mercury, PBB, PBDE, DBP, BBP, DEHP, DIBP, and 0.01% for cadmium, or qualify for an exemption to these limits as defined in the Annexes of Directive 2011/65/EU (RoHS2). Finished electrical and electronic equipment products will be CE marked as required by Directive 2011/65/EU. Components may not be CE marked. Additionally, the part numbers that TE has identified as EU ELV compliant have a maximum concentration of 0.1% by weight in homogenous materials for lead, hexavalent chromium, and mercury, and 0.01% for cadmium, or qualify for an exemption to these limits as defined in the Annexes of Directive 2000/53/EC (ELV). Regarding the REACH Regulation, the information TE provides

on SVHC in articles for this part number is based on the latest European Chemicals Agency (ECHA) 'Guidance on requirements for substances in articles' posted at this URL: <https://echa.europa.eu/guidance-documents/guidance-on-reach>

Also in the Series | FASTON 110



Crimp Terminal Housings(13)



Insertion & Extraction Tools(1)

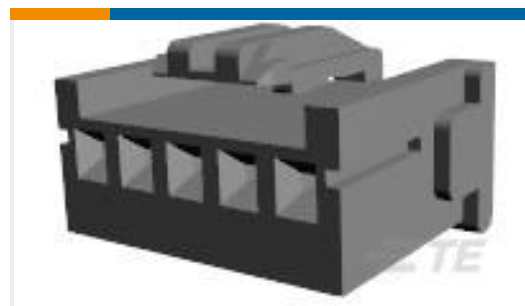


PCB Terminals(22)

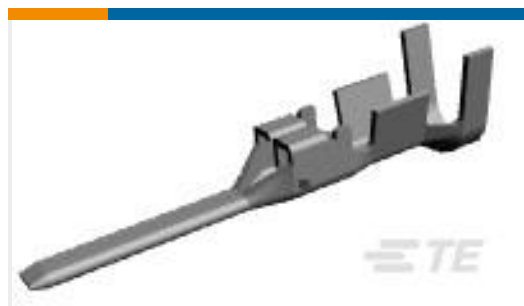


Quick Disconnects(168)

Customers Also Bought



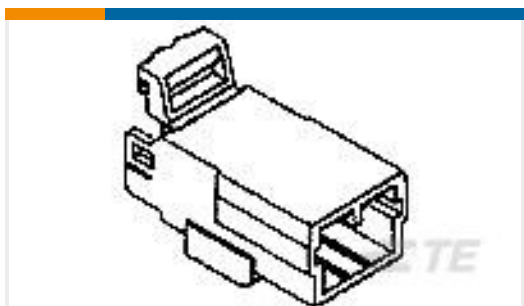
TE Part #917689-1
2.5 SIGNAL D/LOCK PLUG HSG 5P



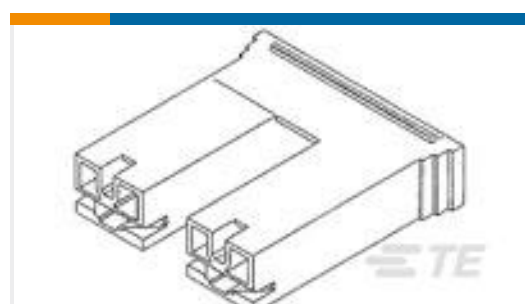
TE Part #1565080-1
GRACE INERTIA 3.5 TAB CONTACT(L)



TE Part #1744416-7
7 POS EP II HSG, GLOW WIRE



TE Part #174930-1
070 MLC W-W CAP HSG 6P SGL



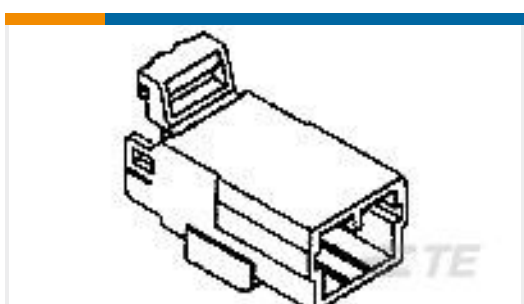
TE Part #1-520935-1
250 HSG. PL MKII REC. 15.11mm 2P NAT



TE Part #917701-1
2.5 SIGNAL DBL LOCK DLP 5P



TE Part #7-1625892-5
3W SM M/OX 5% 120R



TE Part #174929-1
070 MLC W-W CAP HSG 4P NATURAL



TE Part #1338125-8
CRIMPER, WIRE, SPLICE



ANVIL REPRESENTATION ONLY
TE Part #8-1633383-6
ANVIL, COMBINATION

Documents

[CAD Files](#)

[3D PDF](#)

[3D](#)



Customer View Model

[ENG_CVM_CVM_521307-1_F.2d_dxf.zip](#)

English

Customer View Model

[ENG_CVM_CVM_521307-1_F.3d_igs.zip](#)

English

Customer View Model

[ENG_CVM_CVM_521307-1_F.3d_stp.zip](#)

English

By downloading the CAD file I accept and agree to the [Terms and Conditions](#) of use.

Datasheets & Catalog Pages

[FASTON Housings](#)

English

Product Specifications

[Product Specification](#)

[FASTON conn. terminal, rec. ctc. 2,8-4,8-6,0-6,3-9,6 mm.](#)

Agency Approvals

[UL Report](#)

English