



MATE-N-LOK | Mini-Universal MATE-N-LOK

TE Internal #: 794137-1

Socket Contact, Tin, 22 – 18 AWG Wire Size, .33 – .82 mm² Wire Size, Crimp, Brass, Power, -55 – 105 °C [-67 – 221 °F], Mini-Universal MATE-N-LOK

[View on TE.com >](#)

Connectors > Contacts > Connector Contacts



Contact Type: **Socket**

Contact Mating Area Plating Material: **Tin**

Wire Contact Termination Area Plating Material: **Pre-Tin**

Contact Retention Within Housing: **With**

Wire Size: **22 – 18 AWG**

Features

Product Type Features

Discrete Wire Type	Stranded
--------------------	----------

Contact Features

Mating Pin Diameter	1.57 mm[.062 in]
Wire Contact Termination Area Plating Thickness	2.54 µm[100 µin]
Wire Contact Termination Area Plating Material Finish	Bright
Contact Orientation	Straight
Contact Type	Socket
Contact Mating Area Plating Material	Tin
Wire Contact Termination Area Plating Material	Pre-Tin
Contact Retention Within Housing	With
Contact Base Material	Brass

Termination Features

Termination Method to Wire & Cable	Crimp
Product Terminates To	Wire & Cable



Mechanical Attachment

Wire Insulation Support	Without
-------------------------	---------

Dimensions

Compatible Insulation Diameter Range	1.5 – 2.39 mm [.059 – .094 in]
Wire Size	.33 – .82 mm ²

Usage Conditions

Operating Temperature Range	-55 – 105 °C [-67 – 221 °F]
-----------------------------	-----------------------------

Operation/Application

Circuit Application	Power
---------------------	-------

Industry Standards

Compatible With Agency/Standards Products	CSA, UL
---	---------

Packaging Features

Packaging Quantity	4500
Packaging Method	Reel

Product Compliance

[For compliance documentation, visit the product page on TE.com>](#)

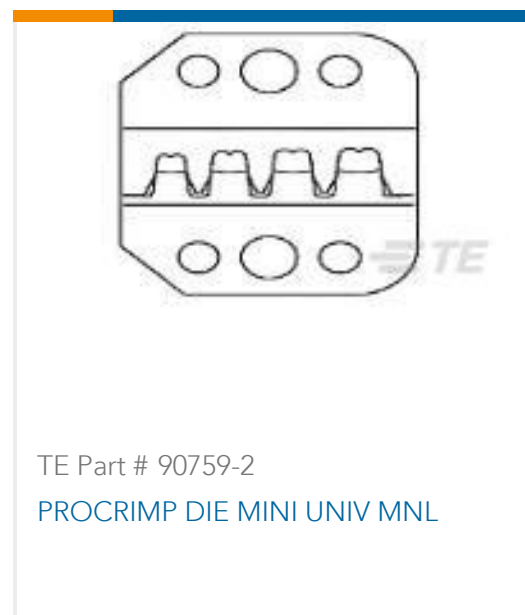
EU RoHS Directive 2011/65/EU	Compliant
EU ELV Directive 2000/53/EC	Compliant
China RoHS 2 Directive MIIT Order No 32, 2016	No Restricted Materials Above Threshold
EU REACH Regulation (EC) No. 1907/2006	Current ECHA Candidate List: JUNE 2024 (241) Candidate List Declared Against: JUNE 2024 (241) Does not contain REACH SVHC
Halogen Content	Low Halogen - Br, Cl, F, I < 900 ppm per homogenous material. Also BFR/CFR/PVC Free
Solder Process Capability	Not applicable for solder process capability

Product Compliance Disclaimer

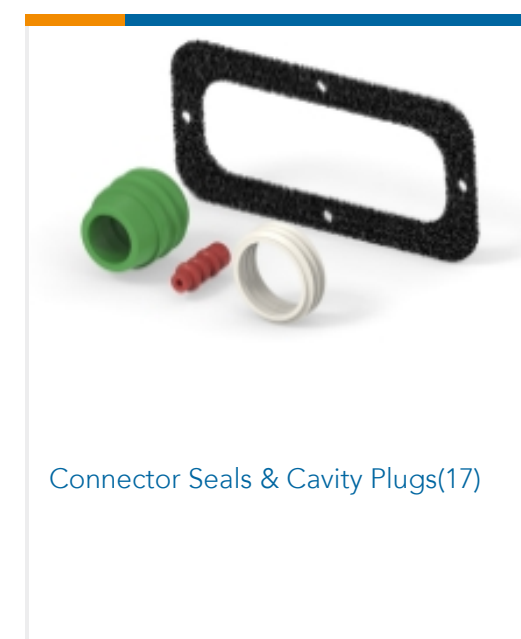
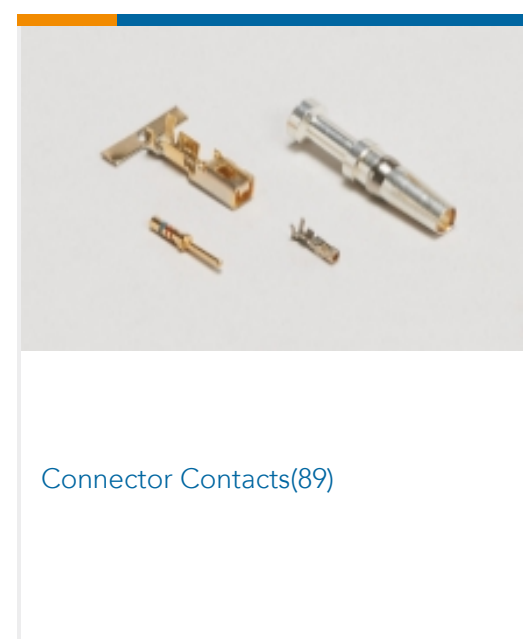
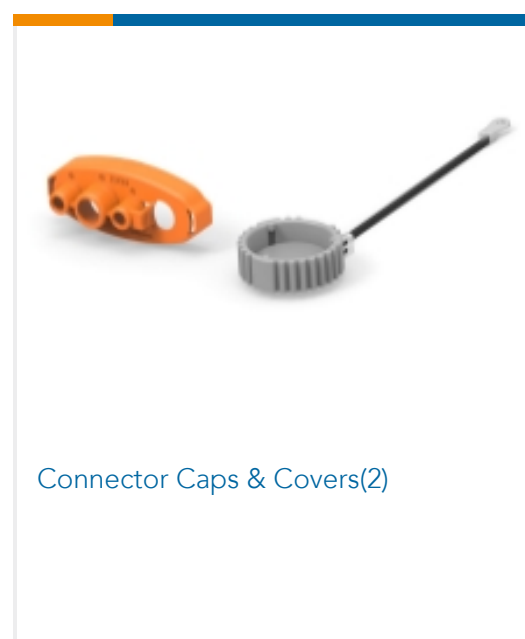
This information is provided based on reasonable inquiry of our suppliers and represents our current actual knowledge based on the information they provided. This information is subject to change. The part numbers that TE has identified as EU RoHS compliant have a maximum concentration of 0.1% by weight in homogenous materials for lead, hexavalent chromium, mercury, PBB, PBDE, DBP, BBP, DEHP, DIBP, and 0.01% for cadmium, or qualify for an exemption to these limits as defined in the Annexes of Directive 2011/65/EU (RoHS2). Finished electrical and electronic equipment products will be CE marked as required by Directive 2011/65/EU. Components may not be CE marked. Additionally, the part numbers that TE has identified as EU ELV compliant have a maximum concentration of 0.1% by weight in homogenous

materials for lead, hexavalent chromium, and mercury, and 0.01% for cadmium, or qualify for an exemption to these limits as defined in the Annexes of Directive 2000/53/EC (ELV). Regarding the REACH Regulation, the information TE provides on SVHC in articles for this part number is based on the latest European Chemicals Agency (ECHA) 'Guidance on requirements for substances in articles' posted at this URL: <https://echa.europa.eu/guidance-documents/guidance-on-reach>

Compatible Parts



Also in the Series | Mini-Universal MATE-N-LOK





Connector Strain Relief(2)

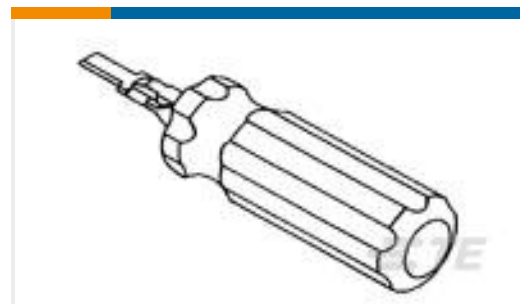
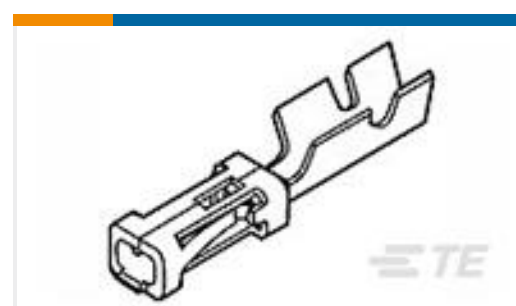
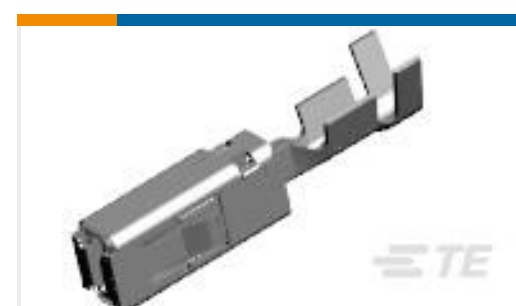
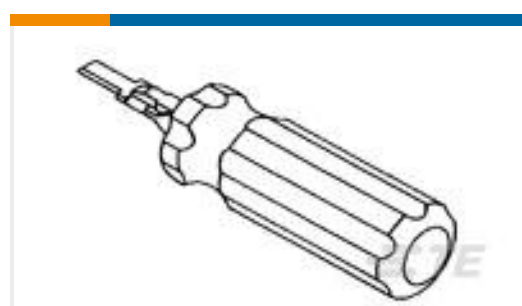


Insertion & Extraction Tools(1)



Rectangular Power Connectors(197)

Customers Also Bought

TE Part #1658640-1
HDP-20,RCPT,SIZE 5, 50 POSNTE Part #305183
EXTRACT TOOL TYPE 2 20-16TE Part #1-102387-2
64 MODIV HSG COMP DR .100 POLTE Part #8-1393113-7
KUEP-11D15-24=KU-TE Part #1-770872-0
02P MINI UMNL HDR ASSY SNTE Part #350851-1
UMNL SOK 24-18 PTPBRTE Part #87666-3
MOD IV RECP PLTD SNTE Part #1241388-1
AMP MCP 2.8K, CONTACTTE Part #91285-1
INSERT/EXTRACT TOOL ASSEMBLYTE Part #91067-2
INSERTION/EXTRACTION TOOL

Documents

Product Drawings

[MINI UMNL SOCKET 22-18 AWG SN](#)

English

CAD Files

[Customer View Model](#)

[ENG_CVM_CVM_794137-1_E.2d_dxf.zip](#)

English

[3D PDF](#)



3D

Customer View Model

[ENG_CVM_CVM_794137-1_E.3d_igs.zip](#)

English

Customer View Model

[ENG_CVM_CVM_794137-1_E.3d_stp.zip](#)

English

By downloading the CAD file I accept and agree to the [Terms and Conditions](#) of use.

Product Specifications

[Application Specification](#)

English

Instruction Sheets

[Instruction Sheet \(U.S.\)](#)

English