

1-794954-0 ✓ ACTIVE

VAL-U-LOK

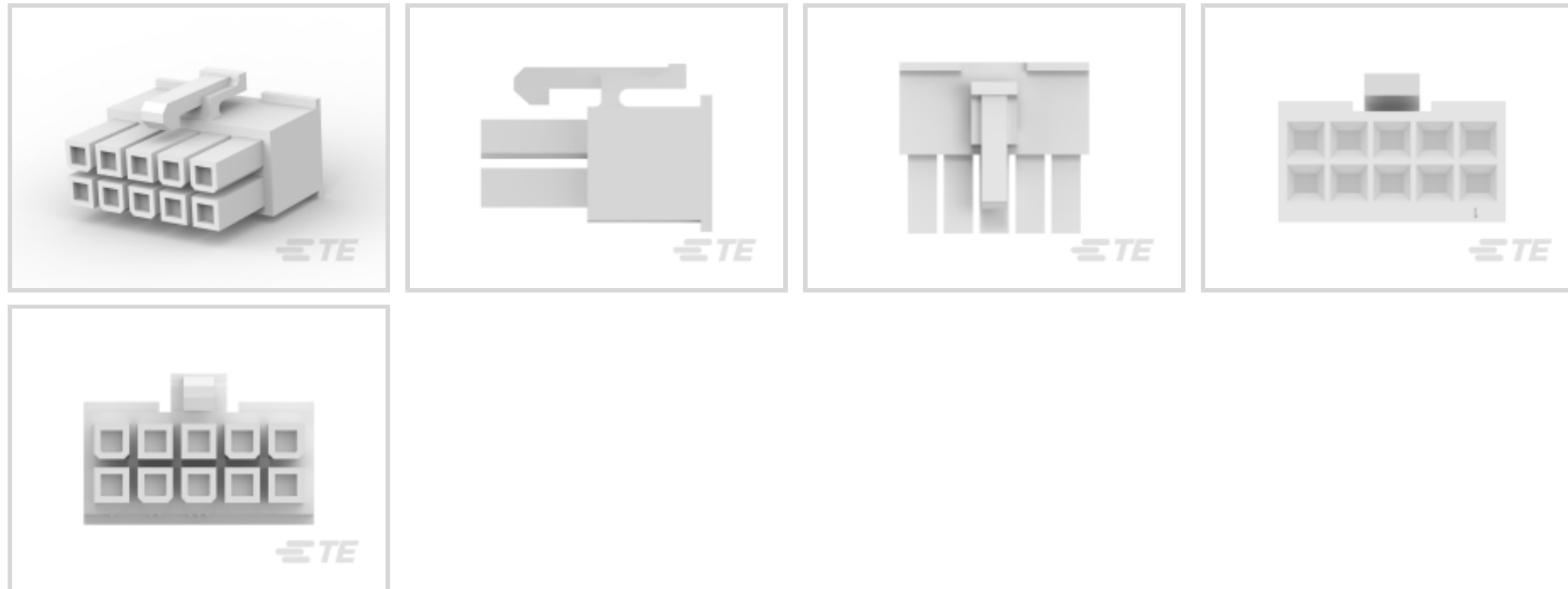
TE Internal #: 1-794954-0

Housing, Receptacle, Wire-to-Board / Wire-to-Wire, 10 Position, 4.2 mm [.165 in] Centerline, Wire & Cable, UL 94V-2, Rectangular Power Connectors

[View on TE.com >](#)



Connectors > Power Connectors > Rectangular Power > Rectangular Power Connectors



Rectangular Power Connector Type: **Housing**

Connector & Housing Type: **Receptacle**

Connector System: **Wire-to-Board, Wire-to-Wire**

Number of Positions: **10**

Centerline (Pitch): **4.2 mm [.165 in]**

Features

Product Type Features

Rectangular Power Connector Type	Housing
Connector & Housing Type	Receptacle
Connector System	Wire-to-Board, Wire-to-Wire
Sealable	No
Connector & Contact Terminates To	Wire & Cable

Configuration Features

Insertion Force	15 Newton
Compatible With Wire & Cable Type	Discrete Wire
Number of Positions	10
Number of Rows	2

Electrical Characteristics

Operating Voltage	600 VAC
-------------------	---------

Contact Features

Contact Layout	Matrix
----------------	--------



Contact Retention Within Housing	Without
Contact Type	Receptacle
Termination Features	
Termination Method to Wire & Cable	Crimp
Mechanical Attachment	
Connector Mounting Type	Cable Mount (Free-Hanging)
Housing Features	
Centerline (Pitch)	4.2 mm [.165 in]
Housing Color	Natural
Housing Material	Nylon
Dimensions	
Connector Height	11.8 mm [.464 in]
Product Width	20 mm [.787 in]
Product Length	22.2 mm [.874 in]
Compatible Insulation Diameter Range	1.2 – 3.1 mm [.047 – .122 in]
Row-to-Row Spacing	4.2 mm [.165 in]
Usage Conditions	
Operating Temperature Range	-40 – 105 °C [-40 – 221 °F]
Operation/Application	
Circuit Application	Power & Signal
Identification Marking	
Circuit Identification Feature	With
Industry Standards	
CSA Rating	208567
UL Rating	Recognized
Compatible With Agency/Standards Products	CSA, UL
Compatible With Approved Standards Products	UL E28476
UL Flammability Rating	UL 94V-2
Glow Wire Rating	Standard Part - Not Glow Wire
Packaging Features	
Packaging Quantity	500



Packaging Method

Bag

Product Compliance

[For compliance documentation, visit the product page on TE.com>](#)

EU RoHS Directive 2011/65/EU	Compliant
EU ELV Directive 2000/53/EC	Compliant
China RoHS 2 Directive MIIT Order No 32, 2016	No Restricted Materials Above Threshold
EU REACH Regulation (EC) No. 1907/2006	Current ECHA Candidate List: JUNE 2024 (241) Candidate List Declared Against: JUNE 2024 (241) Does not contain REACH SVHC
Halogen Content	Low Halogen - Br, Cl, F, I < 900 ppm per homogenous material. Also BFR/CFR/PVC Free
Solder Process Capability	Not applicable for solder process capability

Product Compliance Disclaimer

This information is provided based on reasonable inquiry of our suppliers and represents our current actual knowledge based on the information they provided. This information is subject to change. The part numbers that TE has identified as EU RoHS compliant have a maximum concentration of 0.1% by weight in homogenous materials for lead, hexavalent chromium, mercury, PBB, PBDE, DBP, BBP, DEHP, DIBP, and 0.01% for cadmium, or qualify for an exemption to these limits as defined in the Annexes of Directive 2011/65/EU (RoHS2). Finished electrical and electronic equipment products will be CE marked as required by Directive 2011/65/EU. Components may not be CE marked. Additionally, the part numbers that TE has identified as EU ELV compliant have a maximum concentration of 0.1% by weight in homogenous materials for lead, hexavalent chromium, and mercury, and 0.01% for cadmium, or qualify for an exemption to these limits as defined in the Annexes of Directive 2000/53/EC (ELV). Regarding the REACH Regulation, the information TE provides on SVHC in articles for this part number is based on the latest European Chemicals Agency (ECHA) 'Guidance on requirements for substances in articles' posted at this URL: <https://echa.europa.eu/guidance-documents/guidance-on-reach>

Compatible Parts


 <p>TE Part # 1-794953-0 10P PM PLUG VAL-U-LOK V2</p>	 <p>TE Part # 1-1586039-0 10P VAL-U-LOK VRT HDR W/P V2</p>	 <p>TE Part # 1-1586037-0 10P VERT HDR VAL-U-LOK V2</p>	 <p>TE Part # 1-1586000-0 10P FH PLUG VAL-U-LOK V2</p>
--	---	--	---



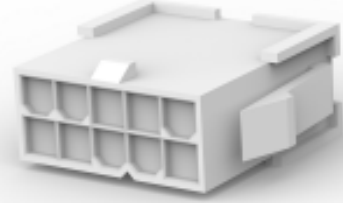
TE Part # 1-1586041-0
10P VAL-U-LOK R/A HDR V2



TE Part # 1-1586043-0
10P VAL-U-LOK R/A HDR SCRMT V2



TE Part # 1-1969598-0
10P FH PLUG VAL-U-LOK V2

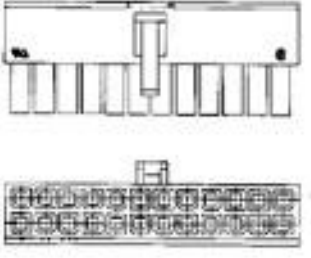


TE Part # 1-1969599-0
10P PM PLUG VAL-U-LOK V2

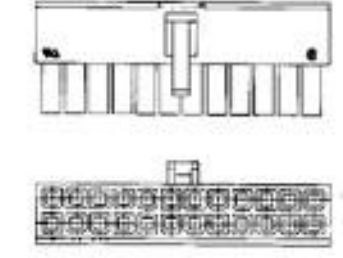
Customers Also Bought



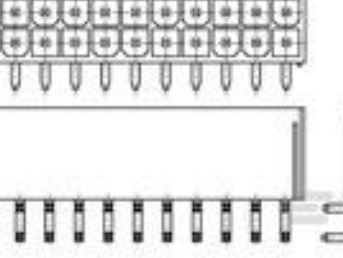
TE Part #1735447-8
HPI 2.0 RECEPTACLE HOUSING, 8P




TE Part #794954-2
2P RCPT VAL-U-LOK V2



TE Part #1-794954-8
18P RCPT VAL-U-LOK V2



TE Part #1586041-2
2P VAL-U-LOK R/A HDR V2



TE Part #8-36964-1
SPLICE,CE 22-14



TE Part #454578-1
ANVIL INSERT



TE Part #690718-1
ANVIL-REVERSIBLE



TE Part #454575-2
BLADE, SHEAR

TE Part #692134-4
POSITIONER, TERM. (.180) 42745

Documents

Product Drawings
10P RCPT VAL-U-LOK V2
English

CAD Files
3D PDF
3D

Customer View Model
ENG_CVM_CVM_1-794954-0_E.2d_dxf.zip



English

Customer View Model

[ENG_CVM_CVM_1-794954-0_E.3d_igs.zip](#)

English

Customer View Model

[ENG_CVM_CVM_1-794954-0_E.3d_stp.zip](#)

English

By downloading the CAD file I accept and agree to the [Terms and Conditions](#) of use.

Datasheets & Catalog Pages

[SOFT_SHELL_PIN_AND_SOCKET_CONNECTORS_CATALOG](#)

English

Product Specifications

[Application Specification](#)

English

Agency Approvals

[VDE Certificate](#)

English