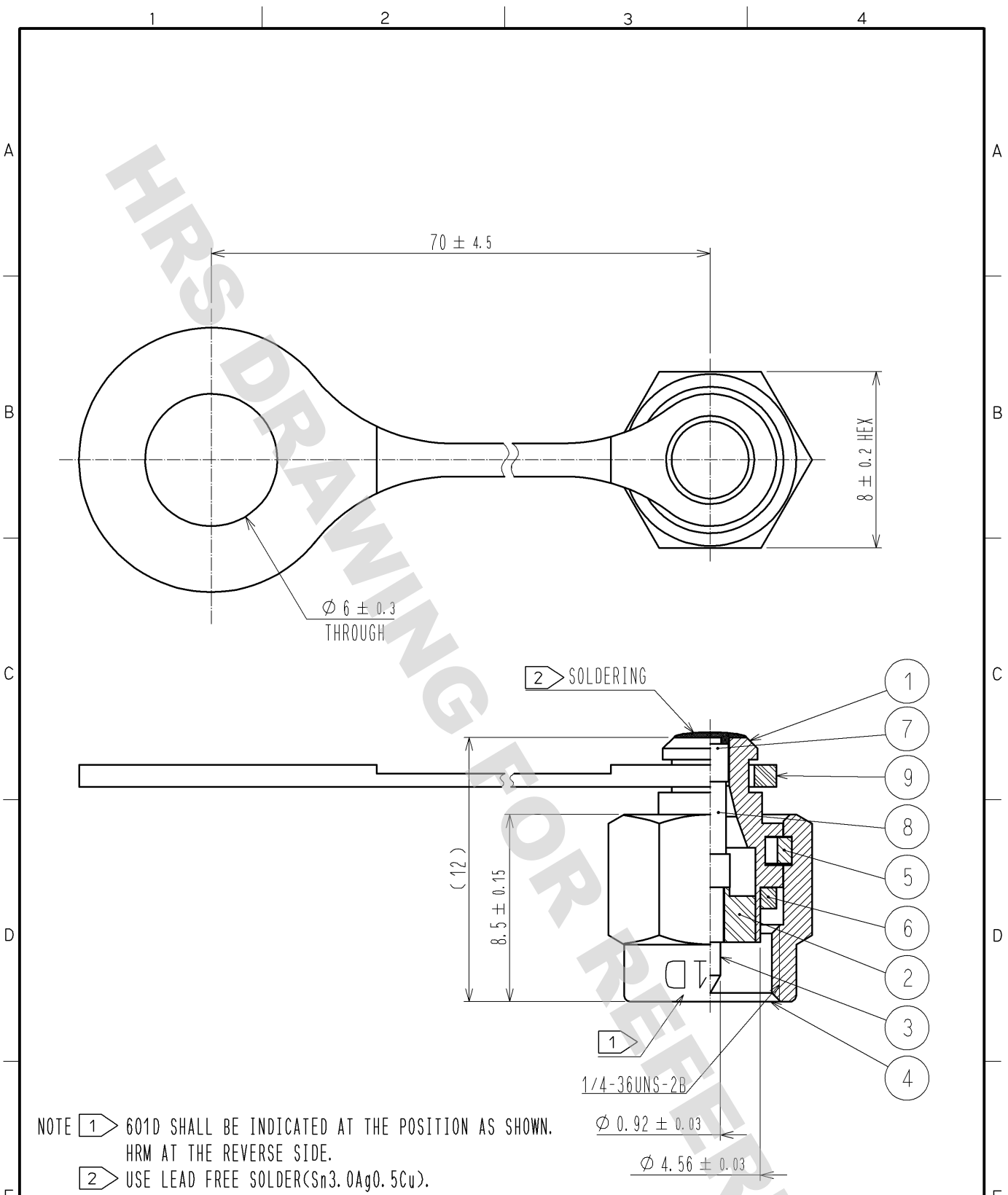


DRAWING FOR REFERENCE: This is subject to change without notice
08/11/2012



NOTE 1 601D SHALL BE INDICATED AT THE POSITION AS SHOWN.
HRM AT THE REVERSE SIDE.
2 USE LEAD FREE SOLDER(Sn3.0Ag0.5Cu).

5	BERYLLIUM COPPER	NICKEL PLATING					
4	STAINLESS STEEL	PASSIVATE	9	POLYETHYLENE			
3	BRASS	GOLD PLATING	8	RESISTANCE	50 Ω		
2	PTFE		7	BRASS	GOLD PLATING		
1	STAINLESS STEEL	NICKEL PLATING	6	SILICONE RUBBER			
NO.	MATERIAL	FINISH .	REMARKS	NO.	MATERIAL	FINISH .	REMARKS

UNITS	SYMBOL	SCALE	COUNT	DESCRIPTION OF REVISIONS	DESIGNED	CHECKED	DATE
mm		4 : 1					
HIROSE ELECTRIC CO., LTD.				APPROVED : MT. SHIBUTANI 12.03.23 CHECKED : KY. SHIMIZU 12.03.23 DESIGNED : TK. SAWAGUCHI 12.03.22 DRAWN : TK. SAWAGUCHI 12.03.22	DRAWING NO. EDC4-030176-01 PART NO. HRM-601D(50) CODE NO. CL353-0064-3-50	1/1	

Mouser Electronics

Authorized Distributor

Click to View Pricing, Inventory, Delivery & Lifecycle Information:

[Hirose Electric:](#)

[HRM-601D\(50\)](#)