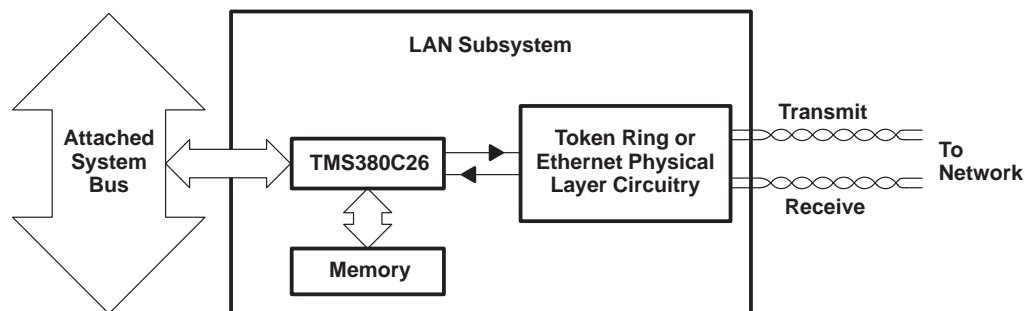


- IEEE 802.5 and IBM Token-Ring Network Compatible
- IEEE 802.3 and Blue Book Ethernet Network Compatible
- Pin and Software Compatible With the TMS380C16
- Configurable Network Type and Speed:
 - Selectable by Host Software Control (Adapter Control Register)
 - Selectable by Network Front-End
 - Readable from Host (Adapter Control Register)
- Token-Ring Features
 - 16- or 4-Megabit-per-Second Data Rates
 - Supports up to 18K-Byte Frame Size (16 Mbps Operation Only)
 - Supports Universal and Local Network Addressing
 - Early Token Release Option (16 Mbps Operation Only)
 - Compatible With the TMS38054
- Ethernet Features
 - 10-Megabit-per-Second Data Rate
 - Compatible With Most Ethernet Serial Network Interface Devices
 - Full Duplex Ethernet Operation Allows Network Speed Self-test
- Expandable Local LAN Subsystem Memory Space up to 2 Megabytes
- Supports Multicast Addressing of Network Group Addresses Through Hashing
- Glueless Interface to DRAMs
- High-Performance 16-Bit CPU for Communications Protocol Processing
- Up to 8 Megabyte-per-Second High-Speed Bus Master DMA Interface
- Low-Cost Host-Slave I/O Interface Option
- Up to 32-Bit Host Address Bus
- Selectable Host System Bus Options
- 80x8x or 68xxx-Type Bus and Memory Organization
 - 8- or 16-Bit Data Bus on 80x8x Buses
 - Optional Parity Checking
- Dual-Port DMA and Direct I/O Transfers to Host Bus
- Specification for External Adapter-Bus Devices (SEADs) Supports External Hardware Interface for User-Defined External Logic
- Enhanced Address Copy Option (EACO) Interface Supports External Address Checking Logic for Bridging or External Custom Applications
- Support for Module High-Impedance In-Circuit Testing
- Built-in Real-Time Error Detection
- Bring-Up and Self-Test Diagnostics With Loopback
- Automatic Frame Buffer Management
- Slow-Clock Low-Power Mode
- Single 5-V Supply
- 1- μ m CMOS Technology
- 250 mA Typical Latch-Up Immunity at 25°C
- ESD Protection Exceeds 2,000 V
- 132-Pin JEDEC Plastic Quad Flat Package (PQ Suffix)
- Operating Temperature Range 0°C to 70 °C

network commprocessor applications diagram



PRODUCTION DATA information is current as of publication date. Products conform to specifications per the terms of Texas Instruments standard warranty. Production processing does not necessarily include testing of all parameters.

TMS380C26 NETWORK COMMPROCESSOR

SPWS010A—APRIL 1992—REVISED MARCH 1993

pinout

The pin assignments for TMS380C26 (132-pin quad flat-pack) are shown in Figure 1.

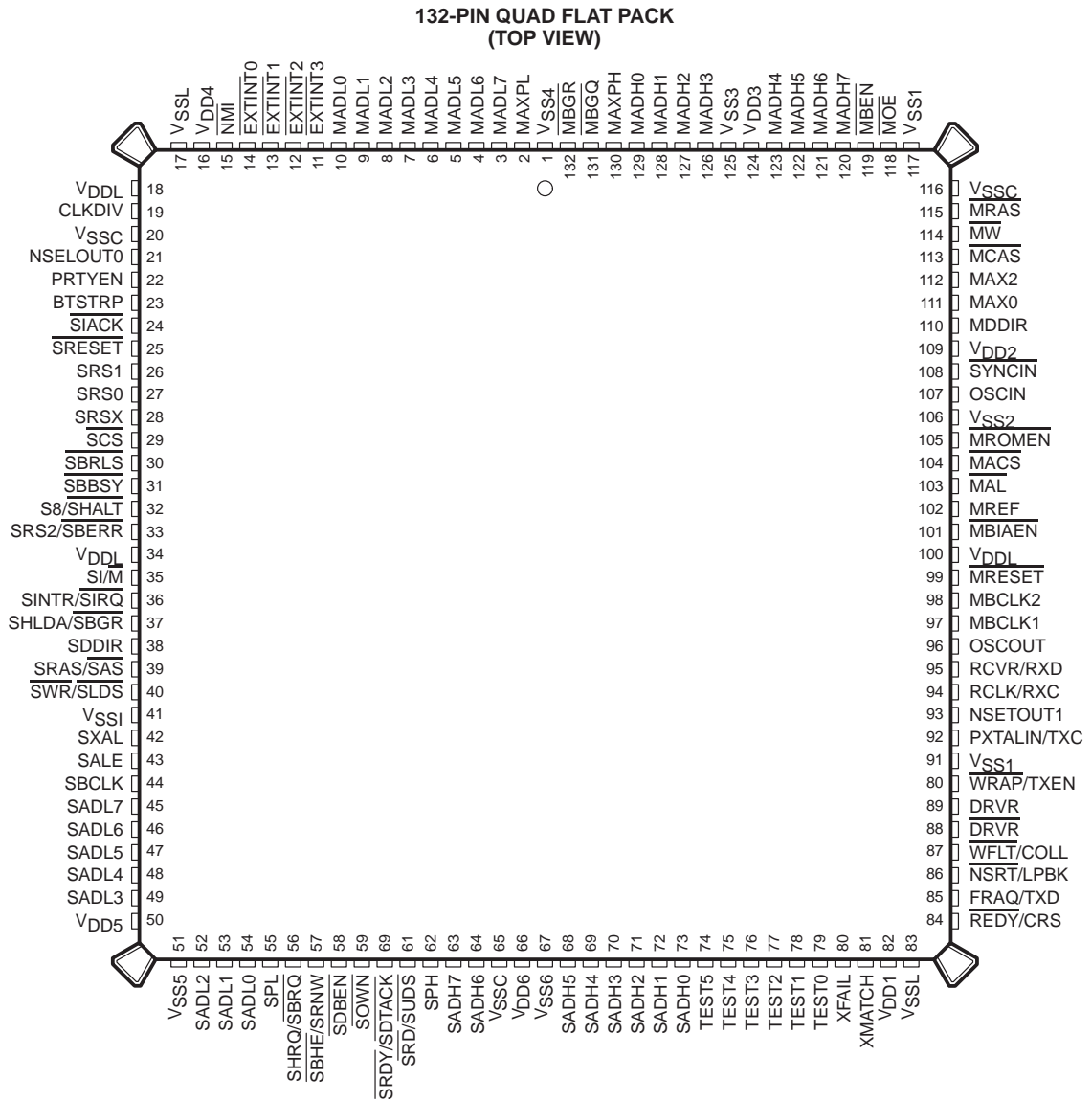


Figure 1. TMS380C26 Pinout

description

The TMS380C26 is a single-chip network communications processor (commprocessor) that supports token ring, or Ethernet Local Area Networks (LANs). Either token ring at data rates of 16 Mbps or 4 Mbps, or Ethernet at a data rate of 10 Mbps, can be selected. A flexible configuration scheme allows network type and speed to be configured by hardware or software. This allows the design of LAN subsystems which support both token ring and Ethernet networks, by electrically or physically switched network front-end circuits.

The TMS380C26 conforms to IEEE 802.5-1989 standards and has been verified to be completely IBM™ Token-Ring compatible. By integrating the essential control building blocks needed on a LAN subsystem card into one device, the TMS380C26 can ensure that this IBM compatibility is maintained in silicon.

The TMS380C26 conforms to ISO/IEC 8802-3 (ANSI/IEEE Std 802.3) CSMA/CD standards, and the Ethernet "Blue Book" standard.

The high degree of integration of the TMS380C26 makes it a virtual LAN subsystem on a single chip. Protocol handling, host system interfacing, memory interfacing, and communications processing are all provided through the TMS380C26. To complete LAN subsystem design, only the network interface hardware, local memory, and minimal additional components such as PALs and crystal oscillators need to be added.

The TMS380C26 provides a 32-bit system memory address reach with a high-speed bus-master DMA interface that supports rapid communications with the host system. In addition, the TMS380C26 supports direct I/O and a low-cost 8-bit pseudo-DMA interface that requires only a chip select to work directly on an 80x8x 8-bit slave I/O interface. Finally, selectable 80x8x or 68xxx-type host system bus and memory organization add to design flexibility.

The TMS380C26 supports addressing for up to two Megabytes of local memory. This expanded memory capacity can improve LAN subsystem performance by minimizing the frequency of host LAN subsystem communications by allowing larger blocks of information to be transferred at one time. The support of large local memory is important in applications that require large data transfers (such as graphics or data base transfers) and in heavily loaded networks where the extra memory can provide data buffers to store data until it can be processed by the host.

The proprietary CPU used in the TMS380C26 allows protocol software to be downloaded into RAM or stored in ROM in the local memory space. By moving protocols (such as LLC) to the LAN subsystem, overall system performance is increased. This is accomplished due to the offloading of processing from the host system to the TMS380C26, which may also reduce LAN subsystem-to-host communications. As other protocol software is developed, greater differentiation of end products with enhanced system performance will be possible.

In addition, the TMS380C26 includes hardware counters that provide realtime error detection and automatic frame buffer management. These counters control system bus retries, burst size, and track host and LAN subsystem buffer status. Previously, these counters needed to be maintained in software. By integrating them into hardware, software overhead is removed and LAN subsystem performance is improved.

The TMS380C26 implements a TI-patented Enhanced Address Copy Option (EACO) interface. This interface supports external address checking devices, such as the TMS380SRA Source Routing Accelerator. The TMS380C26 has a 128-word external I/O space in its memory map to support external address-checker devices and other hardware extensions to the TMS380 architecture. Hardware designed in conformance with TI's Specification for External Adapter-bus Devices (SEADs) can map registers into this external I/O space and post interrupts to the TMS380C26.

The major blocks of the TMS380C26 include the Communications Processor (CP), System Interface (SIF), Memory Interface (MIF), Protocol Handler (PH), Clock Generator (CG), and the Adapter Support Function (ASF) as shown in Figure 2.

The TMS380C26 is available in a 132-pin JEDEC plastic quad flat pack and is rated from 0°C to 70°C.

IBM is a registered trademark of International Business Machines Corporation.



TMS380C26 NETWORK COMMPROCESSOR

SPWS010A—APRIL 1992—REVISED MARCH 1993

block diagram and signal descriptions

TMS380C26 has a bus interface to the host system, a bus interface to local memory, and an interface to the physical layer circuitry. As a rule of thumb in the pin nomenclature and descriptions that follow, pin names starting with the letter S attach to the host system bus and pin names starting with the letter M attach to the local memory bus. Active-low signals have names with overbars, e.g., \overline{SCS} .

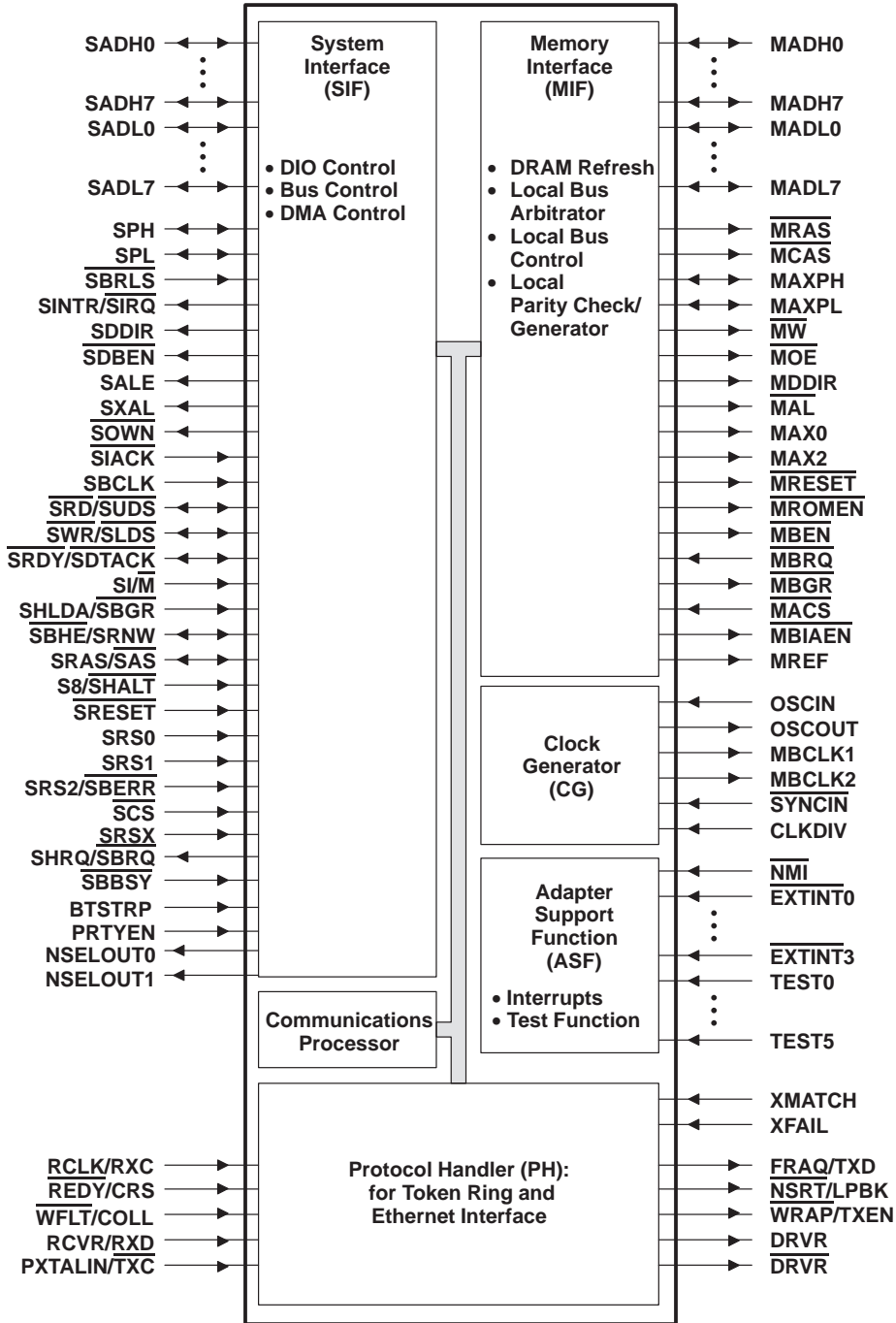


Figure 2. TMS380C26 COMMprocessor Block Diagram

Terminal Functions

| PIN NAME | NO. | I/O | DESCRIPTION | | | | | | | | | | | | | | | |
|--|--|-----------|--|-----------|--------------|--|--|--|--|-----------|-----------|-----------|-----------|--------|-----------|-----------|--------|--------|
| BTSTRP | 23 | IN | <p>Bootstrap. The value on this pin is loaded into the BOOT bit of the SIFACL register at reset (i.e., when the SRESET pin is asserted or the ARESET bit in the SIFACL register is set) to form a default value. This bit indicates whether chapters 0 and 31 of the memory map are RAM or ROM. If these chapters are RAM then the TMS380C26 is denied access to the local memory bus until the CPHALT bit in the SIFACL register is cleared.</p> <p>H = Chapters 0 and 31 of local memory are RAM-based (see Note 1). L = Chapters 0 and 31 of local memory are ROM-based.</p> | | | | | | | | | | | | | | | |
| CLKDIV | 19 | IN | <p>Clock Divider Select. This pin must be pulled high</p> <p>H = Indicates 64-MHz OSCIN (see Note 3). L = Reserved.</p> | | | | | | | | | | | | | | | |
| EXTINT0 EXTINT1 EXTINT2 EXTINT3 | 14 13 12 11 | IN | Reserved; must be pulled high (see Note 4). | | | | | | | | | | | | | | | |
| MACS | 104 | IN | Reserved. Must be tied low (see Note 2). | | | | | | | | | | | | | | | |
| MADH0 MADH1 MADH2 MADH3 MADH4 MADH5 MADH6 MADH7 | 129 128 127 126 123 122 121 120 | I/O | <p>Local memory Address, Data and Status Bus – high byte. For the first quarter of the local memory cycle these bus lines carry address bits AX4 and A0 to A6; for the second quarter, they carry status bits; and for the third and fourth quarters, they carry data bits 0 to 7. The most significant bit is MADH0 and the least significant bit is MADH7.</p> <table style="margin-left: auto; margin-right: auto; border: none;"> <tr> <td></td> <td colspan="4" style="text-align: center;">Memory Cycle</td> </tr> <tr> <td></td> <td style="text-align: center;"><u>1Q</u></td> <td style="text-align: center;"><u>2Q</u></td> <td style="text-align: center;"><u>3Q</u></td> <td style="text-align: center;"><u>4Q</u></td> </tr> <tr> <td>Signal</td> <td style="text-align: center;">AX4,A0–A6</td> <td style="text-align: center;">Status</td> <td style="text-align: center;">D0–D7</td> <td style="text-align: center;">D0–D7</td> </tr> </table> | | Memory Cycle | | | | | <u>1Q</u> | <u>2Q</u> | <u>3Q</u> | <u>4Q</u> | Signal | AX4,A0–A6 | Status | D0–D7 | D0–D7 |
| | Memory Cycle | | | | | | | | | | | | | | | | | |
| | <u>1Q</u> | <u>2Q</u> | <u>3Q</u> | <u>4Q</u> | | | | | | | | | | | | | | |
| Signal | AX4,A0–A6 | Status | D0–D7 | D0–D7 | | | | | | | | | | | | | | |
| MADL0 MADL1 MADL2 MADL3 MADL4 MADL5 MADL6 MADL7 | 10 9 8 7 6 5 4 3 | I/O | <p>Local Memory Address, Data and Status Bus – low byte. For the first quarter of the local memory cycle, these bus lines carry address bits A7 to A14; for the second quarter, they carry address bits AX4 and A0 to A6; and for the third and fourth quarters, they carry data bits 8 to 15. The most significant bit is MADL0 and the least significant bit is MADL7.</p> <table style="margin-left: auto; margin-right: auto; border: none;"> <tr> <td></td> <td colspan="4" style="text-align: center;">Memory Cycle</td> </tr> <tr> <td></td> <td style="text-align: center;"><u>1Q</u></td> <td style="text-align: center;"><u>2Q</u></td> <td style="text-align: center;"><u>3Q</u></td> <td style="text-align: center;"><u>4Q</u></td> </tr> <tr> <td>Signal</td> <td style="text-align: center;">A7–A14</td> <td style="text-align: center;">AX4,A0–A6</td> <td style="text-align: center;">D8–D15</td> <td style="text-align: center;">D8–D15</td> </tr> </table> | | Memory Cycle | | | | | <u>1Q</u> | <u>2Q</u> | <u>3Q</u> | <u>4Q</u> | Signal | A7–A14 | AX4,A0–A6 | D8–D15 | D8–D15 |
| | Memory Cycle | | | | | | | | | | | | | | | | | |
| | <u>1Q</u> | <u>2Q</u> | <u>3Q</u> | <u>4Q</u> | | | | | | | | | | | | | | |
| Signal | A7–A14 | AX4,A0–A6 | D8–D15 | D8–D15 | | | | | | | | | | | | | | |
| MAL | 103 | OUT | <p>Memory Address Latch. This is a strobe signal for sampling the address at the start of the memory cycle; it is used by SRAMs and EPROMs. The full 20-bit word address is valid on MAX0, MAXPH, MAX2, MAXPL, MADH0-MADH7, and MADL0-MADL7. Three 8-bit transparent latches can therefore be used to retain a 20-bit static address throughout the cycle.</p> <p>Rising edge = No signal latching. Falling edge = Allows the above address signals to be latched.</p> | | | | | | | | | | | | | | | |
| MAX0 | 111 | OUT | <p>Local Memory Extended Address Bit. This signal drives AX0 at ROW address time and it drives A12 at COL address and DATA time for all cycles. This signal can be latched by MRAS. Driving A12 eases interfacing to a BIA ROM.</p> <table style="margin-left: auto; margin-right: auto; border: none;"> <tr> <td></td> <td colspan="4" style="text-align: center;">Memory Cycle</td> </tr> <tr> <td></td> <td style="text-align: center;"><u>1Q</u></td> <td style="text-align: center;"><u>2Q</u></td> <td style="text-align: center;"><u>3Q</u></td> <td style="text-align: center;"><u>4Q</u></td> </tr> <tr> <td>Signal</td> <td style="text-align: center;">AX0</td> <td style="text-align: center;">A12</td> <td style="text-align: center;">A12</td> <td style="text-align: center;">A12</td> </tr> </table> | | Memory Cycle | | | | | <u>1Q</u> | <u>2Q</u> | <u>3Q</u> | <u>4Q</u> | Signal | AX0 | A12 | A12 | A12 |
| | Memory Cycle | | | | | | | | | | | | | | | | | |
| | <u>1Q</u> | <u>2Q</u> | <u>3Q</u> | <u>4Q</u> | | | | | | | | | | | | | | |
| Signal | AX0 | A12 | A12 | A12 | | | | | | | | | | | | | | |
| MAX2 | 112 | OUT | <p>Local Memory Extended Address Bit. This signal drives AX2 at ROW address time, which can be latched by MRAS, and A14 at COL address, and DATA time for all cycles. Driving A14 eases interfacing to a BIA ROM.</p> <table style="margin-left: auto; margin-right: auto; border: none;"> <tr> <td></td> <td colspan="4" style="text-align: center;">Memory Cycle</td> </tr> <tr> <td></td> <td style="text-align: center;"><u>1Q</u></td> <td style="text-align: center;"><u>2Q</u></td> <td style="text-align: center;"><u>3Q</u></td> <td style="text-align: center;"><u>4Q</u></td> </tr> <tr> <td>Signal</td> <td style="text-align: center;">AX2</td> <td style="text-align: center;">A14</td> <td style="text-align: center;">A14</td> <td style="text-align: center;">A14</td> </tr> </table> | | Memory Cycle | | | | | <u>1Q</u> | <u>2Q</u> | <u>3Q</u> | <u>4Q</u> | Signal | AX2 | A14 | A14 | A14 |
| | Memory Cycle | | | | | | | | | | | | | | | | | |
| | <u>1Q</u> | <u>2Q</u> | <u>3Q</u> | <u>4Q</u> | | | | | | | | | | | | | | |
| Signal | AX2 | A14 | A14 | A14 | | | | | | | | | | | | | | |

- NOTES:
1. Pin has an internal pullup device to maintain a high voltage level when left unconnected (no etch or loads).
 2. Pin should be connected to ground.
 3. Pin should be tied to V_{CC} with a 4.7-kΩ pullup resistor.
 4. Each pin must be individually tied to V_{CC} with a 1.0-kΩ pullup resistor.

TMS380C26 NETWORK COMMPROCESSOR

SPWS010A—APRIL 1992—REVISED MARCH 1993

Terminal Functions (continued)

| PIN NAME | NO. | I/O | DESCRIPTION | | | | | | | | | | | | | | | |
|----------------------------|--------------|-----------|--|-----------|--------------|--|--|--|--|-----------|-----------|-----------|-----------|--------|-----|-----|--------|--------|
| MAXPH | 130 | I/O | Local Memory Extended Address and Parity High Byte. For the first quarter of a memory cycle this signal carries the extended address bit (AX1); for the second quarter of a memory cycle this signal carries the extended address bit (AX0); and for the last half of the memory cycle this signal carries the parity bit for the high data byte. <table style="margin-left: auto; margin-right: auto;"> <tr> <td></td> <td colspan="4" style="text-align: center;">Memory Cycle</td> </tr> <tr> <td></td> <td style="text-align: center;"><u>1Q</u></td> <td style="text-align: center;"><u>2Q</u></td> <td style="text-align: center;"><u>3Q</u></td> <td style="text-align: center;"><u>4Q</u></td> </tr> <tr> <td>Signal</td> <td style="text-align: center;">AX1</td> <td style="text-align: center;">AX0</td> <td style="text-align: center;">Parity</td> <td style="text-align: center;">Parity</td> </tr> </table> | | Memory Cycle | | | | | <u>1Q</u> | <u>2Q</u> | <u>3Q</u> | <u>4Q</u> | Signal | AX1 | AX0 | Parity | Parity |
| | Memory Cycle | | | | | | | | | | | | | | | | | |
| | <u>1Q</u> | <u>2Q</u> | <u>3Q</u> | <u>4Q</u> | | | | | | | | | | | | | | |
| Signal | AX1 | AX0 | Parity | Parity | | | | | | | | | | | | | | |
| MAXPL | 2 | I/O | Local Memory Extended Address and Parity Low Byte. For the first quarter of a memory cycle this signal carries the extended address bit (AX3); for the second quarter of a memory cycle this signal carries extended address bit (AX2); and for the last half of the memory cycle this signal carries the parity bit for the low data byte. <table style="margin-left: auto; margin-right: auto;"> <tr> <td></td> <td colspan="4" style="text-align: center;">Memory Cycle</td> </tr> <tr> <td></td> <td style="text-align: center;"><u>1Q</u></td> <td style="text-align: center;"><u>2Q</u></td> <td style="text-align: center;"><u>3Q</u></td> <td style="text-align: center;"><u>4Q</u></td> </tr> <tr> <td>Signal</td> <td style="text-align: center;">AX3</td> <td style="text-align: center;">AX2</td> <td style="text-align: center;">Parity</td> <td style="text-align: center;">Parity</td> </tr> </table> | | Memory Cycle | | | | | <u>1Q</u> | <u>2Q</u> | <u>3Q</u> | <u>4Q</u> | Signal | AX3 | AX2 | Parity | Parity |
| | Memory Cycle | | | | | | | | | | | | | | | | | |
| | <u>1Q</u> | <u>2Q</u> | <u>3Q</u> | <u>4Q</u> | | | | | | | | | | | | | | |
| Signal | AX3 | AX2 | Parity | Parity | | | | | | | | | | | | | | |
| MBCLK1 MBCLK2 | 97 98 | OUT | Local Bus Clock1 and local Bus Clock 2. These signals are referenced for all local bus transfers. MBCLK2 lags MBCLK1 by a quarter of a cycle. These clocks operate at 8 MHz for a 64-MHz OSCIN and 6 MHz for a 48-MHz OSCIN, which is twice the memory cycle rate. The MBCLK signals are always a divide-by-8 of the OSCIN frequency. | | | | | | | | | | | | | | | |
| $\overline{\text{MBEN}}$ | 119 | OUT | Buffer Enable. This signal enables the bidirectional buffer outputs on the MADH, MAXPH, MAXPL, and MADL buses during the data phase. This signal is used in conjunction with MDDIR which selects the buffer output direction. H = Buffer output disabled. L = Buffer output enabled. | | | | | | | | | | | | | | | |
| $\overline{\text{MBGR}}$ | 132 | OUT | Reserved. Must be left unconnected. | | | | | | | | | | | | | | | |
| $\overline{\text{MBIAEN}}$ | 101 | OUT | Burned-In Address Enable. This is an output signal used to provide an output enable for the ROM containing the adapter's Burned-In Address (BIA). H = This signal is driven high for any WRITE accesses to the addresses between >00.0000 and >00.000F, or any accesses (Read/Write) to any other address. L = This signal is driven low for any READ from addresses between >00.0000 and >00.000F. | | | | | | | | | | | | | | | |
| $\overline{\text{MBRQ}}$ | 131 | IN | Reserved. Must be pulled high (see Note 4). | | | | | | | | | | | | | | | |
| $\overline{\text{MCAS}}$ | 113 | OUT | Column Address Strobe for DRAMs. The column address is valid for the 3/16 of the memory cycle following the row address portion of the cycle. This signal is driven low every memory cycle while the column address is valid on MADL0-MADL7, MAXPH, and MAXPL, except when one of the following conditions occurs: 1) When the address accessed is in the BIA ROM (>00.0000 – >00.000F). 2) When the address accessed is in the EPROM memory map (i.e., when the BOOT bit in the SIFACL register is zero and an access is made between >00.0010 – >00.FFFF) or >1F.0000 – >1F.FFFF). 3) When the cycle is a refresh cycle, in which case $\overline{\text{MCAS}}$ is driven at the start of the cycle before $\overline{\text{MRAS}}$ (for DRAMs that have CAS-before-RAS refresh). For DRAMs that do not support CAS-before-RAS refresh, it may be necessary to disable $\overline{\text{MCAS}}$ with MREF during the refresh cycle. | | | | | | | | | | | | | | | |
| MDDIR | 110 | OUT | Data Direction. This signal is used as a direction control for bidirectional bus drivers. The signal becomes valid before $\overline{\text{MBEN}}$ active. H = TMS380C26 memory bus write. L = TMS380C26 memory bus read. | | | | | | | | | | | | | | | |

NOTE 4: Each pin must be individually tied to V_{CC} with a 1.0-k Ω pullup resistor.



Terminal Functions (continued)

| PIN NAME | NO. | I/O | DESCRIPTION |
|----------------------------|-----|-----|---|
| $\overline{\text{MOE}}$ | 118 | OUT | Memory Output Enable. This signal is used to enable the outputs of the DRAM memory during a read cycle. This signal is high for EPROM or BIA ROM read cycles. H = Disable DRAM outputs. L = Enable DRAM outputs. |
| $\overline{\text{MRAS}}$ | 115 | OUT | Row Address Strobe for DRAMs. The row address lasts for the first 5/16 of the memory cycle. This signal is driven low every memory cycle while the row address is valid on MADL0-MADL7, MAXPH, and MAXPL for both RAM and ROM cycles. It is also driven low during refresh cycles when the refresh address is valid on MADL0-MADL7. |
| MREF | 102 | OUT | DRAM Refresh Cycle in Progress. This signal is used to indicate that a DRAM refresh cycle is occurring. It is also used for disabling MCAS to all DRAMs that do not use a CAS before-RAS refresh. H = DRAM refresh cycle in process. L = Not a DRAM refresh cycle. |
| $\overline{\text{MRESET}}$ | 99 | OUT | Memory Bus Reset. This is a reset signal generated when either the ARESET bit in the SIFACL register is set or the SRESET pin is asserted. This signal is used for resetting external local bus glue logic. H = External logic not reset. L = External logic reset. |
| $\overline{\text{MROMEN}}$ | 105 | OUT | ROM Enable. During the first 5/16 of the memory cycle, this signal is used to provide a chip select for ROMs when the BOOT bit of the SIFACL register is zero (i.e., when code is resident in ROM, not RAM). It can be latched by MAL. It goes low for any read from addresses >00.0010 – >00.FFFF or >1F.0000 – >1F.FFFF when the Boot bit in the SIFACL register is zero. It stays high for writes to these addresses, accesses of other addresses, or accesses of any address when the BOOT bit is one. During the final three quarters of the memory cycle, it outputs the A13 address signal for interfacing to a BIA ROM. This means MBIAEN, MAX0, ROMEN, and MAX2 together form a glueless interface for the BIA ROM. H = ROM disabled. L = ROM enabled. |
| $\overline{\text{MW}}$ | 114 | OUT | Local Memory Write. This signal is used to specify a write cycle on the local memory bus. The data on the MADH0-MADH7 and MADL0-MADL7 buses is valid while $\overline{\text{MW}}$ is low. DRAMs latch data on the falling edge $\overline{\text{MW}}$, while SRAMs latch data on the rising edge of $\overline{\text{MW}}$. H = Not a local memory write cycle. L = Local memory write cycle. |
| NMI | 15 | IN | Non-Maskable Interrupt Request. This pin must be left unconnected. |
| OSCIN | 107 | IN | External Oscillator Input. This line provides the clock frequency to the TMS380C26 for a 4-MHz internal bus. OSCIN should be 64 a MHz signal (see Note 5). |
| OSCOUT | 96 | OUT | Oscillator Output. With OSCIN at 64 MHz and CLKDIV pulled high, this pin provides an 8 MHz output which can be used by TMS3054 for 4 Mbps operation without the need for an additional crystal. CLKDIV OSCOUT L Reserved (Reserved) H OSCIN/8 (if OSCIN = 64 MHz, then OSCOUT = 8 MHz). |

NOTE 5: Pin has an expanded input voltage specification.

TMS380C26 NETWORK COMMPROCESSOR

SPWS010A-APRIL 1992-REVISED MARCH 1993

Terminal Functions (continued)

| PIN NAME | NO. | I/O | DESCRIPTION | | | | | | | | | | | | | | | |
|----------------------|----------|----------------------------|--|----------|----------|-------------|---|---|----------|---|---|--------------------|---|---|----------------------------|---|---|-------------------|
| PRTYEN | 22 | IN | <p>Parity Enable. The value on this pin is loaded into the PEN bit of the SIFACL register at reset (i.e., when the SRESET pin is asserted or the ARESET bit in the SIFACL register is set) to form a default value. This bit enables parity checking for the local memory.</p> <p>H = Local memory data bus checked for parity (see Note 1). L = Local memory data bus <i>NOT</i> checked for parity.</p> | | | | | | | | | | | | | | | |
| NSELOUT0 NSELOUT1 | 21 93 | OUT OUT | <p>Network Selection Outputs. These output signals are controlled by the host through the corresponding bits of the SIFACTL register. The value of these bits/signals can only be changed while the TMS380C26 is reset.</p> <table border="0"> <thead> <tr> <th>NSELOUT0</th> <th>NSELOUT1</th> <th>Description</th> </tr> </thead> <tbody> <tr> <td>L</td> <td>L</td> <td>Reserved</td> </tr> <tr> <td>L</td> <td>H</td> <td>16 Mbps token ring</td> </tr> <tr> <td>H</td> <td>L</td> <td>Ethernet (802.3/Blue Book)</td> </tr> <tr> <td>H</td> <td>H</td> <td>4 Mbps token ring</td> </tr> </tbody> </table> | NSELOUT0 | NSELOUT1 | Description | L | L | Reserved | L | H | 16 Mbps token ring | H | L | Ethernet (802.3/Blue Book) | H | H | 4 Mbps token ring |
| NSELOUT0 | NSELOUT1 | Description | | | | | | | | | | | | | | | | |
| L | L | Reserved | | | | | | | | | | | | | | | | |
| L | H | 16 Mbps token ring | | | | | | | | | | | | | | | | |
| H | L | Ethernet (802.3/Blue Book) | | | | | | | | | | | | | | | | |
| H | H | 4 Mbps token ring | | | | | | | | | | | | | | | | |

NOTE 1: Pin has an internal pullup device to maintain a high voltage level when left unconnected (no etch or loads).

Terminal Functions (continued)
System Interface – Intel Mode (SI/ \overline{M} = H)

| PIN NAME | NO. | I/O | DESCRIPTION |
|--|--|-----|---|
| SADH0 SADH1 SADH2 SADH3 SADH4 SADH5 SADH6 SADH7 | 73 72 71 70 69 68 64 63 | I/O | System Address/Data Bus—high byte (see Note 1). These lines make up the most significant byte of each address word (32-bit address bus) and data word (16-bit data bus). The most significant bit is SADH0, and the least significant bit is SADH7. Address Multiplexing †: Bits 31 – 24 and bits 15 – 8. Data Multiplexing †: Bits 15 – 8. |
| SADL0 SADL1 SADL2 SADL3 SADL4 SADL5 SADL6 SADL7 | 54 53 52 49 48 47 46 45 | I/O | System Address/Data Bus—low byte (see Note 1). These lines make up the least significant byte of each address word (32-bit address bus) and data word (16-bit data bus). The most significant bit is SADL0, and the least significant bit is SADL7. Address Multiplexing †: Bits 23 – 16 and bits 7 – 0. Data Multiplexing †: Bits 7 – 0. |
| SALE | 43 | OUT | System Address Latch Enable. This is the enable pulse used to externally latch the 16 LSBs of the address from the SADH0 – SADH7 and SADL0 – SADL7 buses at the start of the DMA cycle. Systems that implement address parity can also externally latch the parity bits (SPH and SPL) for the latched address. |
| \overline{SBBSY} | 31 | IN | System Bus Busy. The TMS380C26 samples the value on this pin during arbitration. The sample has one of (2) two values (see Note 1): H = Not busy. The TMS380C26 may become Bus Master if the grant condition is met. L = Busy. The TMS380C26 cannot become Bus Master. |
| SBCLK | 44 | IN | System Bus Clock. The TMS380C26 requires the external clock to synchronize its bus timings for all DMA transfers. |
| $\overline{SBHE/SRNW}$ | 57 | I/O | System Byte High Enable. This pin is a three-state output that is driven during DMA and an input at all other times. H = System Byte High not enabled (see Note 1). L = System Byte High enabled. |
| \overline{SBRLS} | 30 | IN | System Bus Release. This pin indicates to the TMS380C26 that a higher-priority device requires the system bus. The value on this pin is ignored when the TMS380C26 is <i>NOT</i> performing DMA. This signal is internally synchronized to SBCLK. H = The TMS380C26 can hold onto the system bus (see Note 1). L = The TMS380C26 should release the system bus upon completion of current DMA cycle. If the DMA transfer is not yet complete, the SIF will re-arbitrate for the system bus. |
| \overline{SCS} | 29 | IN | System Chip Select. Activates the system interface of the TMS380C26 for a DIO read or write. H = Not selected (see Note 1). L = Selected. |
| \overline{SDBEN} | 58 | OUT | System Data Bus Enable. This output signals to the external data buffers to begin driving data. This output is activated during both DIO and DMA. H = Keep external data buffers in high-impedance state. L = Cause external data buffers to begin driving data. |

† Typical bit ordering for Intel and Motorola processor buses.

NOTE 1: Pin has an internal pullup device to maintain a high voltage level when left unconnected (no etch or loads).

TMS380C26 NETWORK COMMPROCESSOR

SPWS010A—APRIL 1992—REVISED MARCH 1993

Terminal Functions (continued) System Interface – Intel Mode ($SI/\overline{M} = H$)

| PIN NAME | NO. | I/O | DESCRIPTION | | | | | | | | | | | | | | | | |
|------------------------------------|------------------|------------|---|------|--|--|--|--------------|------------------|------------|------------|---|--------|------|-------|---|-------|-------|------|
| SDDIR | 38 | OUT | <p>System Data Direction. This output provides to the external data buffers a signal indicating the direction in which the data is moving. During DIO writes and DMA reads, SDDIR is low (data direction input to the TMS380C26). During DIO reads and DMA writes, SDDIR is high (data direction output from the TMS380C26). When the system interface is <i>NOT</i> involved in a DIO or DMA operation, then SDDIR is high by default.</p> <table border="0" style="margin-left: auto; margin-right: auto;"> <thead> <tr> <th colspan="4" style="text-align: center;">DATA</th> </tr> <tr> <th style="text-align: center;"><u>SDDIR</u></th> <th style="text-align: center;"><u>DIRECTION</u></th> <th style="text-align: center;"><u>DIO</u></th> <th style="text-align: center;"><u>DMA</u></th> </tr> </thead> <tbody> <tr> <td style="text-align: center;">H</td> <td style="text-align: center;">output</td> <td style="text-align: center;">read</td> <td style="text-align: center;">write</td> </tr> <tr> <td style="text-align: center;">L</td> <td style="text-align: center;">input</td> <td style="text-align: center;">write</td> <td style="text-align: center;">read</td> </tr> </tbody> </table> | DATA | | | | <u>SDDIR</u> | <u>DIRECTION</u> | <u>DIO</u> | <u>DMA</u> | H | output | read | write | L | input | write | read |
| DATA | | | | | | | | | | | | | | | | | | | |
| <u>SDDIR</u> | <u>DIRECTION</u> | <u>DIO</u> | <u>DMA</u> | | | | | | | | | | | | | | | | |
| H | output | read | write | | | | | | | | | | | | | | | | |
| L | input | write | read | | | | | | | | | | | | | | | | |
| $\overline{SHLDA}/\overline{SBGR}$ | 37 | IN | <p>System Hold Acknowledge. This pin indicates that the system DMA hold request has been acknowledged. It is internally synchronized to SBCLK (see Note 1). H = Hold request acknowledged. L = Hold request not acknowledged.</p> | | | | | | | | | | | | | | | | |
| $\overline{SHRQ}/\overline{SBRQ}$ | 56 | OUT | <p>System Hold Request. This pin is used to request control of the system bus in preparation for a DMA transfer. This pin is internally synchronized to SBCLK. H = System bus requested. L = System bus not requested.</p> | | | | | | | | | | | | | | | | |
| \overline{SIACK} | 24 | IN | <p>System Interrupt Acknowledge. This signal is from the host processor to acknowledge the interrupt request from the TMS380C26. H = System interrupt not acknowledged (see Note 1). L = System interrupt acknowledged: the TMS380C26 places its interrupt vector onto the system bus.</p> | | | | | | | | | | | | | | | | |
| SI/\overline{M} | 35 | IN | <p>System Intel/Motorola Mode Select. The value on this pin specifies the system interface mode. H = Intel-compatible interface mode selected. Intel interface can be 8-bit or 16-bit mode (see S8/\overline{SHALT} pin description and Note 1). L = Motorola-compatible interface mode selected.</p> | | | | | | | | | | | | | | | | |
| $\overline{SINTR}/\overline{SIRQ}$ | 36 | OUT | <p>System Interrupt Request. TMS380C26 activates this output to signal an interrupt request to the host processor. H = Interrupt request by TMS380C26. L = No interrupt request.</p> | | | | | | | | | | | | | | | | |
| \overline{SOWN} | 59 | OUT | <p>System Bus Owned. This signal indicates to external devices that TMS380C26 has control of the system bus. This signal drives the enable signal of the bus transceiver chips, which drive the address and bus control signals. H = TMS380C26 does not have control of the system bus. L = TMS380C26 has control of the system bus.</p> | | | | | | | | | | | | | | | | |
| SPH | 62 | I/O | <p>System Parity High. The optional odd-parity bit for each address or data byte transmitted over SADH0-SADH7 (see Note 1).</p> | | | | | | | | | | | | | | | | |
| SPL | 55 | I/O | <p>System Parity Low. The optional odd-parity bit for each address or data byte transmitted over SADL0-SADL7 (see Note 1).</p> | | | | | | | | | | | | | | | | |

NOTE 1: Pin has an internal pullup device to maintain a high voltage level when left unconnected (no etch or loads).



POST OFFICE BOX 1443 • HOUSTON, TEXAS
77251-1443

Terminal Functions (continued)
System Interface – Intel Mode (SI/M = H)

| PIN NAME | NO. | I/O | DESCRIPTION |
|------------------------------------|----------------------|-----|--|
| SRAS/SAS | 39 | I/O | <p>System Memory Address Strobe (see Note 3). This pin used to latch the \overline{SCS}, SRSX – SRS2 register input signals. In a minimum-chip system, SRAS is tied to the SALE output of the System Bus. The latching capability can be defeated since the internal latch for these inputs remains transparent as long as SRAS remains high. This permits SRAS to be pulled high and the signals at the \overline{SCS}, SRSX – SRS2, and \overline{SBHE} to be applied independently of the SALE strobe from the system bus. During DMA this pin remains an input.</p> <p>High = transparent mode Low = Holds latched values of \overline{SCS}, SRSX–SRS2, and \overline{SBHE} Falling edge = latches \overline{SCS}, SRSX – SRS2, and \overline{SBHE}</p> |
| SRD/SUDS | 61 | I/O | <p>System Read Strobe (see Note 3). Active-low strobe indicating that a read cycle is performed on the system bus. This pin is an input during DIO and an output during DMA.</p> <p>H = Read cycle is not occurring. L = If DMA: host provides data to system bus. If DIO: SIF provides data to system bus.</p> |
| SRDY/SDTACK | 60 | I/O | <p>System Bus Ready (see Note 3). The purpose of this signal is to indicate to the bus master that a data transfer is complete. This signal is asynchronous, but during DMA and pseudo-DMA cycles it is internally synchronized to SBCLK. During DMA cycles, it must be asserted before the falling edge of SBCLK in state T2 in order to prevent a wait state. This signal is an output when the TMS380C26 is selected for DIO, and an input otherwise.</p> <p>H = System bus NOT ready. L = Data transfer is complete; system bus is ready.</p> |
| SRESET | 25 | IN | <p>System Reset. This input signal is activated to place the TMS380C26 into a known initial state. Hardware reset will put most of the TMS380C26 output pins into a high-impedance state and place all blocks into the reset state. DMA bus width selection is latched on the rising edge of \overline{SRESET}.</p> <p>H = No system reset. L = System reset. Rising edge = Latch bus width for DMA operation.</p> |
| SRSX SRS0 SRS1 SRS2/SBERR | 28 27 26 33 | IN | <p>System Register Select. These inputs select the word or byte to be transferred during a system DIO access. The most significant bit is SRSX and the least significant bit is SRS2 (see Note 1).</p> <p style="text-align: center;">Registered selected = \overline{MSb} SRSX SRS0 SRS1 \overline{LSb} SRS2/SBERR</p> |
| SWR/SLDS | 40 | I/O | <p>System Write Strobe (see Note 3). This pin serves as an active-low write strobe. This pin is an input during DIO and an output during DMA.</p> <p>H = Write cycle is not occurring. L = If DMA: data to be driven from SIF to host bus. If DIO: on the rising edge, the data is latched and written to the selected register.</p> |
| SXAL | 42 | OUT | <p>System Extended Address Latch. This output provides the enable pulse used to externally latch the most significant 16 bits of the 32-bit system address during DMA. SXAL is activated prior to the first cycle of each block DMA transfer, and thereafter as necessary (whenever an increment of the DMA address counter causes a carry-out of the lower 16 bits). Systems that implement parity on addresses can use SXAL to externally latch the parity bits (available on SPL and SPH) for the DMA address extension.</p> |

- NOTES: 1. Pin has an internal pullup device to maintain a high voltage level when left unconnected (no etch or loads).
 3. Pin should be tied to V_{CC} with a 4.7-k Ω pullup resistor.

TMS380C26 NETWORK COMMPROCESSOR

SPWS010A—APRIL 1992—REVISED MARCH 1993

Terminal Functions (continued) System Interface – Intel Mode ($SI/\overline{M} = H$)

| PIN NAME | NO. | I/O | DESCRIPTION |
|-----------------------|-----|-----|--|
| \overline{SYNCIN} | 108 | IN | Reserved. This signal must be left unconnected (see Note 1). |
| $S8/\overline{SHALT}$ | 32 | IN | System 8/16-bit bus select. This pin selects the bus width used for communications through the system interface. On the rising edge of \overline{SRESET} , the TMS380C26 latches the DMA bus width; otherwise the value on this pin dynamically selects the DIO bus width. H = Selects 8-bit mode (see Note 1). L = Selects 16-bit mode. |

NOTE 1: Pin has an internal pullup device to maintain a high voltage level when left unconnected (no etch or loads).

Terminal Functions (continued)
System Interface – Motorola Mode (SI/ \overline{M} = L)

| PIN NAME | NO. | I/O | DESCRIPTION |
|--|--|-----|---|
| SADH0 SADH1 SADH2 SADH3 SADH4 SADH5 SADH6 SADH7 | 73 72 71 70 69 68 64 63 | I/O | System Address/Data Bus—high byte (see Note 1). These lines make up the most significant byte of each address word (32-bit address bus) and data word (16-bit data bus). The most significant bit is SADH0, and the least significant bit is SADH7. Address Multiplexing †: Bits 31 – 24 and bits 15 – 8. Data Multiplexing †: Bits 15 – 8. |
| SADL0 SADL1 SADL2 SADL3 SADL4 SADL5 SADL6 SADL7 | 54 53 52 49 48 47 46 45 | I/O | System Address/Data Bus—low byte (see Note 1). These lines make up the least significant byte of each address word (32-bit address bus) and data word (16-bit data bus). The most significant bit is SADL0, and the least significant bit is SADL7. Address Multiplexing †: Bits 23 – 16 and bits 7 – 0. Data Multiplexing †: Bits 7 – 0. |
| SALE | 43 | OUT | System Address Latch Enable. This is the enable pulse used to externally latch the 16 LSBs of the address from the SADH0 – SADH7 and SADL0 – SADL7 buses at the start of the DMA cycle. Systems that implement address parity can also externally latch the parity bits (SPH and SPL) for the latched address. |
| \overline{SBBSY} | 31 | IN | System Bus Busy. The TMS380C26 samples the value on this pin during arbitration. The sample has one of (2) two values (see Note 1): H = Not busy. The TMS380C26 may become Bus Master if the grant condition is met. L = Busy. The TMS380C26 cannot become Bus Master. |
| SBCLK | 44 | IN | System Bus Clock. The TMS380C26 requires the external clock to synchronize its bus timings for all DMA transfers. |
| $\overline{SBHE/SRNW}$ | 57 | I/O | System Read Not Write. This pin serves as a control signal to indicate a read or write cycle. H = Read Cycle (see Note 1). L = Write Cycle |
| \overline{SBRLS} | 30 | IN | System Bus Release. This pin indicates to the TMS380C26 that a higher-priority device requires the system bus. The value on this pin is ignored when the TMS380C26 is <i>NOT</i> performing DMA. This signal is internally synchronized to SBCLK. H = The TMS380C26 can hold onto the system bus (see Note 1). L = The TMS380C26 should release the system bus upon completion of current DMA cycle. If the DMA transfer is not yet complete, the SIF will re-arbitrate for the system bus. |
| \overline{SCS} | 29 | IN | System Chip Select. Activates the system interface of TMS380C26 for a DIO read or write. H = Not selected (see Note 1). L = Selected. |
| \overline{SDBEN} | 58 | OUT | System Data Bus Enable. This output signals to the external data buffers to begin driving data. This output is activated during both DIO and DMA. H = Keep external data buffers in high-impedance state. L = Cause external data buffers to begin driving data. |

† Typical bit ordering for Intel and Motorola processor buses.

NOTE 1: Pin has an internal pullup device to maintain a high voltage level when left unconnected (no etch or loads).

TMS380C26 NETWORK COMMPROCESSOR

SPWS010A—APRIL 1992—REVISED MARCH 1993

Terminal Functions (continued)

System Interface – Motorola Mode ($SI/\bar{M} = L$)

| PIN NAME | NO. | I/O | DESCRIPTION | | | | | | | | | | | | | | | | |
|--------------------------|-----------|-------|--|------|--|--|--|-------|-----------|-----|-----|---|--------|------|-------|---|-------|-------|------|
| SDDIR | 38 | OUT | <p>System Data Direction. This output provides to the external data buffers a signal indicating the direction in which the data is moving. During DIO writes and DMA reads, SDDIR is low (data direction input to the TMS380C26). During DIO reads and DMA writes, SDDIR is high (data direction output from the TMS380C26). When the system interface is <i>NOT</i> involved in a DIO or DMA operation, then SDDIR is high by default.</p> <table border="0"> <thead> <tr> <th colspan="4">DATA</th> </tr> <tr> <th>SDDIR</th> <th>DIRECTION</th> <th>DIO</th> <th>DMA</th> </tr> </thead> <tbody> <tr> <td>H</td> <td>output</td> <td>read</td> <td>write</td> </tr> <tr> <td>L</td> <td>input</td> <td>write</td> <td>read</td> </tr> </tbody> </table> | DATA | | | | SDDIR | DIRECTION | DIO | DMA | H | output | read | write | L | input | write | read |
| DATA | | | | | | | | | | | | | | | | | | | |
| SDDIR | DIRECTION | DIO | DMA | | | | | | | | | | | | | | | | |
| H | output | read | write | | | | | | | | | | | | | | | | |
| L | input | write | read | | | | | | | | | | | | | | | | |
| SHLDA/ \overline{SBGR} | 37 | IN | <p>System Bus Grant. This pin serves as an active-low bus grant, as defined in the standard 68000 interface, and is internally synchronized to SBCLK (see Note 1).</p> <p>H = System bus not granted, L = System bus granted.</p> | | | | | | | | | | | | | | | | |
| SHRQ/ \overline{SBRQ} | 56 | OUT | <p>System Bus Request. This pin is used to request control of the system bus in preparation for a DMA transfer. This pin is internally synchronized to SBCLK.</p> <p>H = System bus not requested. L = System bus requested.</p> | | | | | | | | | | | | | | | | |
| \overline{SIACK} | 24 | IN | <p>System Interrupt Acknowledge. This signal is from the host processor to acknowledge the interrupt request from the TMS380C26.</p> <p>H = System interrupt not acknowledged (see Note 1). L = System interrupt acknowledged: the TMS380C26 places its interrupt vector onto the system bus.</p> | | | | | | | | | | | | | | | | |
| SI/\bar{M} | 35 | IN | <p>System Intel/Motorola Mode Select. The value on this pin specifies the system interface mode.</p> <p>H = Intel-compatible interface mode selected. L = Motorola-compatible interface mode selected. Motorola interface mode is always 16 bits.</p> | | | | | | | | | | | | | | | | |
| SINTR/ \overline{SIRQ} | 36 | OUT | <p>System Interrupt Request. TMS380C26 activates this output to signal an interrupt request to the host processor.</p> <p>H = No interrupt request. L = Interrupt request by TMS380C26.</p> | | | | | | | | | | | | | | | | |
| \overline{SOWN} | 59 | OUT | <p>System Bus Owned. This signal indicates to external devices that TMS380C26 has control of the system bus. This signal drives the enable signal of the bus transceiver chips, which drive the address and bus control signals.</p> <p>H = TMS380C26 does not have control of the system bus. L = TMS380C26 has control of the system bus.</p> | | | | | | | | | | | | | | | | |
| SPH | 62 | I/O | <p>System Parity High. The optional odd-parity bit for each address or data byte transmitted over SADH0-SADH7 (see Note 1).</p> | | | | | | | | | | | | | | | | |
| SPL | 55 | I/O | <p>System Parity Low. The optional odd-parity bit for each address or data byte transmitted over SADL0-SADL7 (see Note 1).</p> | | | | | | | | | | | | | | | | |
| SRAS/ \overline{SAS} | 39 | I/O | <p>System Memory Address Strobe (see Note 3). This pin is an active-low address strobe that is an input during DIO (although ignored as an address strobe) and an output during DMA.</p> <p>H = Address not valid L = Address is valid and a transfer operation is in progress.</p> | | | | | | | | | | | | | | | | |

- NOTES: 1. Pin has an internal pullup device to maintain a high voltage level when left unconnected (no etch or loads).
3. Pin should be tied to V_{CC} with a 4.7-k Ω pullup resistor.



POST OFFICE BOX 1443 • HOUSTON, TEXAS
77251-1443

Terminal Functions (continued)

System Interface – Motorola Mode (SI/M = L)

| PIN NAME | NO. | I/O | DESCRIPTION | | | | | | | | |
|--|----------------|------|---|--|------------|--|------------|---------------------|------|------|------|
| $\overline{\text{SRD}}/\overline{\text{SU}}\overline{\text{DS}}$ | 61 | I/O | Upper Data Strobe (see Note 3). This pin serves as the active-low upper data strobe. This pin is an input during DIO and an output during DMA. H = Not valid data on SADH0-SADH7 lines. L = Valid data on SADH0-SADH7 lines. | | | | | | | | |
| $\overline{\text{SRDY}}/\overline{\text{SDTACK}}$ | 60 | I/O | System Data Transfer Acknowledge (see Note 3). The purpose of this signal is to indicate to the bus master that a data transfer is complete. This signal is internally synchronized to SBCLK. During DMA cycles, it must be asserted before the falling edge of SBCLK in state T2 in order to prevent a wait state. This signal is an output when the TMS380C26 is selected for DIO, and an input otherwise. H = System bus NOT ready. L = Data transfer is complete; system bus is ready. | | | | | | | | |
| $\overline{\text{SRESET}}$ | 25 | IN | System Reset. This input is activated to place the adapter into a known initial state. Hardware reset will put most of the TMS380C26 output pins into a high-impedance state and place all blocks into the reset state. H = No system reset. L = System reset. | | | | | | | | |
| SRSX SRS0 SRS1 | 28 27 26 | IN | System Register Select. These inputs select the word or byte to be transferred during a system DIO access. The most significant bit is SRSX and the least significant bit is SRS1 (see Note 1). <table style="margin-left: auto; margin-right: auto; border: none;"> <tr> <td style="padding: 0 10px;"></td> <td style="text-align: center; padding: 0 5px;"><u>MSb</u></td> <td style="padding: 0 10px;"></td> <td style="text-align: center; padding: 0 5px;"><u>LSb</u></td> </tr> <tr> <td style="padding: 0 10px;">Register Selected =</td> <td style="text-align: center;">SRSX</td> <td style="padding: 0 10px;">SRS0</td> <td style="text-align: center;">SRS1</td> </tr> </table> | | <u>MSb</u> | | <u>LSb</u> | Register Selected = | SRSX | SRS0 | SRS1 |
| | <u>MSb</u> | | <u>LSb</u> | | | | | | | | |
| Register Selected = | SRSX | SRS0 | SRS1 | | | | | | | | |
| SRS2/ $\overline{\text{SBERR}}$ | 33 | IN | Bus Error. Corresponds to the bus error signal of the 68000 microprocessor. It is internally synchronized to SBCLK. This input is driven low during a DMA cycle to indicate to the TMS380C26 that the cycle must be terminated. See Section 3.4.5.3 of the <i>TMS380 Second-Generation Token Ring User's Guide</i> (SPWU005) for more information (see Note 1). | | | | | | | | |
| $\overline{\text{SWR}}/\overline{\text{SLDS}}$ | 40 | I/O | Lower Data Strobe (see Note 3). This pin is an input during DIO and an output during DMA. This pin serves as the active-low lower data strobe. H = Not valid data on SADL0-SADL7 lines. L = Valid data on SADL0-SADL7 lines. | | | | | | | | |
| SXAL | 42 | OUT | System Extended Address Latch. This output provides the enable pulse used to externally latch the most significant 16 bits of the 32-bit system address during DMA. SXAL is activated prior to the first cycle of each block DMA transfer, and thereafter as necessary (whenever an increment of the DMA address counter causes a carry-out of the lower 16-bits). Systems that implement parity on addresses can use SXAL to externally latch the parity bits (available on SPL and SPH) for the DMA address extension. | | | | | | | | |
| $\overline{\text{SYNCIN}}$ | 108 | IN | Reserved. This signal must be left unconnected (see Note 1). | | | | | | | | |
| S8/ $\overline{\text{SHALT}}$ | 32 | IN | System Halt/Bus Error Retry. If this signal is asserted along with bus error ($\overline{\text{SBERR}}$), the adapter will retry the last DMA cycle. This is the re-run operation as defined in the 68000 specification. The BERETRY counter is not decremented by $\overline{\text{SBERR}}$ when $\overline{\text{SHALT}}$ is asserted. See Section 3.4.5.3 of the <i>TMS380 Second-Generation Token Ring User's Guide</i> (SPWU005) for more information. | | | | | | | | |

- NOTES: 1. Pin has an internal pullup device to maintain a high voltage level when left unconnected (no etch or loads).
3. Pin should be tied to V_{CC} with a 4.7-k Ω pullup resistor.

TMS380C26 NETWORK COMMPROCESSOR

SPWS010A—APRIL 1992—REVISED MARCH 1993

Terminal Functions (continued)

Network Media Interface – Token-Ring Mode (TEST1 = H, TEST2 = H)

| PIN NAME | NO. | I/O | DESCRIPTION |
|--------------|----------|-----|---|
| DRVR DRVR | 89 88 | OUT | Differential Driver Data Output. These pins are the differential outputs that send the TMS380C16 transmit data to the TMS38054 for driving onto the ring transmit signal pair. |
| FRAQ/TXD | 85 | OUT | Frequency Acquisition Control. This TTL output determines the use of frequency or phase acquisition mode in the TMS38054. H = Wide range. Frequency centering to PXTALIN by TMS38054. L = Narrow range. Phase-lock onto the incoming data (RCVINA and RCVINB) by the TMS38054. |
| NSRT/LPBK | 86 | OUT | Insert Control Signal to the TMS38054. This TTL output signal enables the phantom driver outputs (PHOUTA and PHOUTB) of the TMS38054, through the watchdog timer, for insertion onto the Token-Ring. Static High = Inactive, phantom current removed (due to watchdog timer) Static Low = Inactive, phantom current removed (due to watchdog timer) NSRT Low and Pulsed High = Active, current output on PHOUTA and PHOUTB |
| PXTALIN/TXC | 92 | IN | Ring Interface Clock Frequency Control (see Note 5). At 16-Mbps ring speed, this input must be supplied a 32-MHz signal. At 4-Mbps ring speed, the input signal must be 8-MHz and may be the output from the OSCOUT pin. |
| RCLK/RXC | 94 | IN | Ring Interface Recovered Clock (see Note 5). This input signal is the clock recovered by the TMS38054 from the Token-Ring received data. For 16-Mbps operation it is a 32-MHz clock. For 4-Mbps operation it is an 8-MHz clock. |
| RCVR/RXD | 95 | IN | Ring Interface Received Data (see Note 5). This input signal contains the data received by the TMS38054 from the token ring. |
| REDY/CRS | 84 | IN | Ring Interface Ready. This input pin provides an indication of the presence of received data, as monitored by the TMS38054 energy detect capacitor. H = Not ready. Ignore received data. L = Ready. Received data. |
| WFLT/COLL | 87 | IN | Wire Fault Detect. This signal is an input to the TMS380C16 driven by the TMS38054. It indicates a current imbalance of the TMS38054 PHOUTA and PHOUTB pins. H = No wire fault detected. L = Wire fault detected. |
| WRAP/TXEN | 90 | OUT | Internal Wrap Select. This signal is an output from the TMS380C16 to the ring interface to activate an internal attenuated feedback path from the transmitted data (DRVR) to receive data (RCVR) signals for bring-up diagnostic testing. When active, the TMS38054 also cuts off the current drive to the transmission pair. H = Normal ring operation. L = Transmit data drives receive data (loopback). |

NOTE 5: Pin has an expanded input voltage specification.



POST OFFICE BOX 1443 • HOUSTON, TEXAS
77251-1443

Terminal Functions (continued)

Network Media Interface – Ethernet Mode (TEST1 = L, TEST2 = H)

| PIN NAME | NO. | I/O | DESCRIPTION |
|--------------|----------|-----|--|
| DRVR DRVR | 89 88 | OUT | These pins have no Ethernet function. In Ethernet Mode these pins are placed in their token ring reset state of DRVR = High, DRVR = Low. |
| FRAQ/TXD | 85 | OUT | Ethernet Transmit Data. This output signal provides the Ethernet physical layer circuitry with bit-rate from the TMS380C26. Data on this pin is output synchronously to the transmit clock TXC. It is normally connected to the TXD pin of an Ethernet Serial Network Interface (SNI) chip. |
| NSRT/LPBK | 86 | OUT | Loopback. This enables loopback of Ethernet transmit data through the Ethernet (SNI) device to receive data. H = Wrap through the front end device L = Normal operation |
| PXTALIN/TXC | 92 | IN | Ethernet Transmit Clock. A 10 MHz clock input used to synchronize transmit data from the TMS380C26 to the Ethernet physical layer circuitry. This is a continuously running clock. It is normally connected to the TXC output pin of an Ethernet SNI chip (see Note 5). |
| RCLK/RXC | 94 | IN | Ethernet Receive Clock. A 10 MHz clock input used to synchronize received data from the Ethernet physical layer circuitry to the TMS380C26. This clock must be present whenever the CRS signal is active (although it can be held low for a maximum of 16 clock cycles after the rising edge of CRS). When the CRS signal is inactive it is permissible to hold this clock in a low phase. It is normally connected to the RXC output pin of an Ethernet Serial Network Interface (SNI) chip. The TMS380C26 requires this pin to be maintained in the low state when CRS is not asserted (see Note 5). |
| RCVR/RXD | 95 | IN | Ethernet Received Data. This input signal provides the TMS380C26 with bit rate network data from the Ethernet front end device. Data on this pin must be synchronous with the receive clock RXC. It is normally connected to the RXD pin of an Ethernet SNI chip (see Note 5). |
| REDY/CRS | 84 | IN | Ethernet Carrier Sense. This input signal indicates to the TMS380C26 that the Ethernet physical layer circuitry has network data present on the RXD pin. This signal is asserted high when the first bit of the frame is received and is deasserted after the last bit of the frame is received. H = Receiving data. L = No data on network. |
| WFLT/COLL | 87 | IN | Ethernet Collision Detect. This input signal indicates to the TMS380C26 that the Ethernet physical layer circuitry has detected a network collision. This signal must be present for at least two TXC clock cycles to ensure it is accepted by the TMS380C26. It is normally connected to the COLL pin of an Ethernet SNI chip. This signal can also be an indication of the SQE test signal. H = COLL detected by the SNI device. L = Normal operation. |
| WRAP/TXEN | 90 | OUT | Ethernet Transmit Enable. This output signal indicates to the Ethernet physical layer circuitry that bit-rate data is present on the TXD pin. This signal is output synchronously to the transmit clock TXC. It is normally connected to the TXE pin of an Ethernet SNI chip. H = Data line currently contains data to be transmitted. L = No valid data on TXEN. |

NOTE 5: Pin has an expanded input voltage specification.

TMS380C26 NETWORK COMMPROCESSOR

SPWS010A—APRIL 1992—REVISED MARCH 1993

Terminal Functions (continued)

| PIN NAME | NO. | I/O | DESCRIPTION | | | | | | | | | | | | | | | | | | | | | | | | |
|--|------------------------------------|---|--|---------------|--------------|-----------------|--------------------|---|--------------------------------|---|----------|---|---|---|--------------------|---|---|---|----------------------------|------|--|---|-------------------|---|---|---|----------|
| TEST 0 TEST 1 TEST 2 | 79 78 77 | IN IN IN | <p>Network Select inputs. These pins are used to select the network speed and type to be used by the TMS380C26. These inputs should only be changed during adapter reset.</p> <table border="1"> <thead> <tr> <th><u>TEST0</u></th> <th><u>TEST1</u></th> <th><u>TEST2</u></th> <th><u>Description</u></th> </tr> </thead> <tbody> <tr> <td>L</td> <td>L</td> <td>H</td> <td>Reserved</td> </tr> <tr> <td>L</td> <td>H</td> <td>H</td> <td>16 Mbps token ring</td> </tr> <tr> <td>H</td> <td>L</td> <td>H</td> <td>Ethernet (802.3/Blue Book)</td> </tr> <tr> <td>H</td> <td>H</td> <td>H</td> <td>4 Mbps token ring</td> </tr> <tr> <td>X</td> <td>X</td> <td>0</td> <td>Reserved</td> </tr> </tbody> </table> | <u>TEST0</u> | <u>TEST1</u> | <u>TEST2</u> | <u>Description</u> | L | L | H | Reserved | L | H | H | 16 Mbps token ring | H | L | H | Ethernet (802.3/Blue Book) | H | H | H | 4 Mbps token ring | X | X | 0 | Reserved |
| <u>TEST0</u> | <u>TEST1</u> | <u>TEST2</u> | <u>Description</u> | | | | | | | | | | | | | | | | | | | | | | | | |
| L | L | H | Reserved | | | | | | | | | | | | | | | | | | | | | | | | |
| L | H | H | 16 Mbps token ring | | | | | | | | | | | | | | | | | | | | | | | | |
| H | L | H | Ethernet (802.3/Blue Book) | | | | | | | | | | | | | | | | | | | | | | | | |
| H | H | H | 4 Mbps token ring | | | | | | | | | | | | | | | | | | | | | | | | |
| X | X | 0 | Reserved | | | | | | | | | | | | | | | | | | | | | | | | |
| TEST3 TEST4 TEST5 | 76 75 74 | IN IN IN | <p>Test Pin Inputs. These pins should be left unconnected (see Note 1). Module-in-Place test mode is achieved by tying TEST 3 and TEST 4 pins to ground. In this mode, all TMS380C26 output pins are high impedance. Internal pullups on all TMS380C26 inputs will be disabled (except TEST3-TEST5 pins).</p> | | | | | | | | | | | | | | | | | | | | | | | | |
| XFAIL | 80 | IN | <p>External Fail-to-Match signal. An enhanced address copy option (EACO) device uses this signal to indicate to the TMS380C26 that it should not copy the frame nor set the ARI/FCI in bits in a token ring frame due to an external address match. The ARI/FCI bits in a token ring frame may be set due to an internal address matched frame. If an enhanced address copy option (EACO) device is NOT used, then this pin must be left unconnected. This pin is ignored when CAF mode is enabled. See table given below in XMATCH pin description (see Note 1).</p> <p>H = No address match by external address checker. L = External address checker armed state.</p> | | | | | | | | | | | | | | | | | | | | | | | | |
| XMATCH | 81 | IN | <p>External Match signal. An enhanced address copy option (EACO) device uses this signal to indicate to the TMS380C26 to copy the frame and set the ARI/FCI bits in a token ring frame. If an enhanced address copy option (EACO) device is NOT used, then this pin must be left unconnected. This pin is ignored when CAF mode is enabled (see Note 1).</p> <p>H = Address match recognized by external address checker. L = External address checker armed state.</p> <table border="1"> <thead> <tr> <th><u>XMATCH</u></th> <th><u>XFAIL</u></th> <th><u>Function</u></th> </tr> </thead> <tbody> <tr> <td>0</td> <td>0</td> <td>Armed (Processing frame data).</td> </tr> <tr> <td>0</td> <td>1</td> <td>Do NOT externally match the frame. (XFAIL takes precedence)</td> </tr> <tr> <td>1</td> <td>0</td> <td>COPY the frame.</td> </tr> <tr> <td>1</td> <td>1</td> <td>Do NOT externally match the frame. (XFAIL takes precedence)</td> </tr> <tr> <td>HI-Z</td> <td>HI-Z</td> <td>Reset state (adapter not initialized).</td> </tr> </tbody> </table> | <u>XMATCH</u> | <u>XFAIL</u> | <u>Function</u> | 0 | 0 | Armed (Processing frame data). | 0 | 1 | Do NOT externally match the frame. (XFAIL takes precedence) | 1 | 0 | COPY the frame. | 1 | 1 | Do NOT externally match the frame. (XFAIL takes precedence) | HI-Z | HI-Z | Reset state (adapter not initialized). | | | | | | |
| <u>XMATCH</u> | <u>XFAIL</u> | <u>Function</u> | | | | | | | | | | | | | | | | | | | | | | | | | |
| 0 | 0 | Armed (Processing frame data). | | | | | | | | | | | | | | | | | | | | | | | | | |
| 0 | 1 | Do NOT externally match the frame. (XFAIL takes precedence) | | | | | | | | | | | | | | | | | | | | | | | | | |
| 1 | 0 | COPY the frame. | | | | | | | | | | | | | | | | | | | | | | | | | |
| 1 | 1 | Do NOT externally match the frame. (XFAIL takes precedence) | | | | | | | | | | | | | | | | | | | | | | | | | |
| HI-Z | HI-Z | Reset state (adapter not initialized). | | | | | | | | | | | | | | | | | | | | | | | | | |
| VDDL | 18 34 100 | IN | Positive supply voltage for digital logic. All V _{DD} pins must be attached to the common system power supply plane. | | | | | | | | | | | | | | | | | | | | | | | | |
| VDD1 VDD2 VDD3 VDD4 VDD5 VDD6 | 82 109 124 16 50 66 | IN | Positive supply voltage for output buffers. All V _{DD} pins must be attached to the common system power supply plane. | | | | | | | | | | | | | | | | | | | | | | | | |
| VSSC | 20 65 116 | IN | Ground reference for output buffers (clean ground). All V _{SS} pins must be attached to the common system ground plane. | | | | | | | | | | | | | | | | | | | | | | | | |
| VSSI | 41 117 | IN | Ground reference for input buffers. All V _{SS} pins must be attached to the common system ground plane. | | | | | | | | | | | | | | | | | | | | | | | | |

NOTE 1: Pin has an internal pullup device to maintain a high voltage level when left unconnected (no etch or loads).



POST OFFICE BOX 1443 • HOUSTON, TEXAS
77251-1443

Terminal Functions (continued)

| PIN NAME | NO. | I/O | DESCRIPTION |
|--|-----------------------------------|-----|--|
| VSSL | 17 83 | IN | Ground reference for digital logic. All V _{SS} pins must be attached to the common system ground plane. |
| VSS1 VSS2 VSS3 VSS4 VSS5 VSS6 | 91 106 125 1 51 67 | IN | Ground connections for output buffers. All V _{SS} pins must be attached to system ground plane. |

TMS380C26 NETWORK COMMPROCESSOR

SPWS010A—APRIL 1992—REVISED MARCH 1993

architecture

The major blocks of the TMS380C26 include the Communications Processor (CP), System Interface (SIF), Memory Interface (MIF), Protocol Handler (PH), Clock Generator (CG), and the Adapter Support Function (ASF). The functionality of each block is described in the following sections.

communications processor (CP)

The Communications Processor (CP) performs the control and monitoring of the other functional blocks in the TMS380C26. The control and monitoring protocols are specified by the software (downloaded or ROM-based) in local memory. Available protocols include:

- Media Access Control (MAC) software,
- Logical Link Control (LLC) software, (token ring version only), and
- Copy All Frames (CAF) software.

The CP is a proprietary 16-bit central processing unit (CPU) with data cache and a single prefetch pipe for pipelining of instructions. These features enhance the TMS380C26's maximum performance capability to about 4 million instructions per second (MIPS), with an average of about 2.5 MIPS.

system interface (SIF)

The System Interface (SIF) performs the interfacing of the LAN subsystem to the host system. This interface may require additional logic depending on the application. The system interface can transfer information/data using any of these three methods:

- Direct Memory Access (DMA),
- Direct Input/Output (DIO), or
- Pseudo-Direct Memory Access (PDMA).

DMA (or PDMA) is used to transfer all data to/from host memory from/to local memory. DIO's main uses are for loading the software to local memory and for initializing the TMS380C26. DIO also allows command/status interrupts to occur to and from the TMS380C26.

The system interface can be hardware selected for either of two modes by use of the SI/\overline{M} pin. The mode selected determines the memory organizations and control signals used. These modes are:

- The Intel 80x8x families: 8-, 16-, and 32-bit bus members
- The Motorola 68000 microprocessor family: 16- and 32-bit bus members

The system interface supports host system memory addressing up to 32 bits (32-bit reach into the host system memory). This allows greater flexibility in using/accessing host system memory.

System designers are allowed to customize the system interface to their particular bus by:

- Programmable burst transfers or cycle-steal DMA operations
- Optional parity protection

These features are implemented in hardware to reduce system overhead, facilitate automatic re arbitration of the bus after a burst, or repeat a cycle when errors occur (parity or bus). Bus retries are also supported.

The system interface hardware also includes features to enhance the integrity of the TMS380C26 and the data. These features do the following:

- Always internally maintain odd byte parity regardless if parity is disabled,
- Monitor for the presence of a clock failure.

On every cycle the system interface compares all the system clocks to a reference clock. If any of the clocks become invalid, the TMS380C26 enters the slow clock mode, which prevents latchup of the TMS380C26. If the SBCLK is invalid, any DMA cycle is terminated immediately; otherwise, the DMA cycle is completed and then the TMS380C26 is placed in slow clock mode.

When the TMS380C26 enters the slow clock mode, the clock that failed is replaced by a slow free-running clock and the device is placed into a low-power reset state. When the failed clock(s) return to valid operation, the TMS380C26 must be re-initialized.

Using DMA, a continuous transfer rate of 64 Mbits per second (Mbps), which is 8 MBytes per second (MBps), can be obtained. For pseudo-DMA a continuous transfer rate of 48 Mbps (6 MBps) can be obtained when using a 16-MHz clock. The DIO transfer rate is not a significant issue, since the main purpose of DIO is for downloading and initialization. For comparison, the ISA bus continuous DMA transfer is rated for approximately 23 Mbps.

memory interface (MIF)

The Memory Interface (MIF) performs the memory management to allow the TMS380C26 to address 2 MBytes in local memory. Hardware in the MIF allows the TMS380C26 to be directly connected to DRAMs without additional circuitry. This glueless DRAM connection includes the DRAM refresh controller.

The MIF also handles all internal bus arbitration between these blocks. When required, the MIF then arbitrates for the external bus.

The MIF is responsible for the memory mapping of the CPU of a task. The memory map of DRAMs, EPROMs, Burned-in Addresses (BIA), and External Devices are appropriately addressed when required by the System Interface (SIF), Protocol Handler (PH), or for a DMA transfer.

The memory interface is capable of a 64 Mbps continuous transfer rate when using a 4-MHz local bus (64-MHz device crystal).

protocol handler (PH)

The Protocol Handler (PH) performs the hardware-based realtime protocol functions for a token ring or Ethernet Local Area Network (LAN). Network type is determined by the test pins TEST0-2. Token ring network is determined by software and can be either 16-Mbps or 4-Mbps. These speeds are not fixed by the hardware, but by the software.

The (PH) converts the parallel transmit data to serial network data of the appropriate coding, and converts the received serial data to parallel data. The PH data management state machines direct the transmission/reception of data to/from local memory through the MIF. The PH's buffer management state machines automatically oversee this process, directly sending/receiving linked-lists of frames without CPU intervention.

TMS380C26 NETWORK COMMPROCESSOR

SPWS010A–APRIL 1992–REVISED MARCH 1993

The Protocol Handler contains many state machines which provide the following features:

- Transmit and receive frames
- Capture tokens (token ring)
- Provide token-priority controls (token ring)
- Automatic retry of frame transmissions after collisions (Ethernet)
- Implement the Random Exponential Backoff algorithm (Ethernet)
- Manage the TMS380C26 buffer memory
- Provide frame address recognition (group, specific, functional, and multicast)
- Provide internal parity protection
- Control and verify the physical layer circuitry interface signals

Integrity of the transmitted and received data is assured by cyclic redundancy checks (CRC), detection of network data violations, and parity on internal data paths. All data paths and registers are optionally parity-protected to assure functional integrity.

adapter support function (ASF)

The Adapter Support Function (ASF) performs support functions not contained in the other blocks. The features are:

- The TMS380C26 base timer,
- Identification, management, and service of internal and external interrupts,
- Test pin mode control, including the unit-in-place mode for board testing,
- Checks for illegal states, such as illegal opcodes and parity.

clock generator (CG)

The Clock Generator (CG) performs the generation of all the clocks required by the other functional blocks and the local memory bus clocks. This block also generates the reference clock to be sampled by the SIF to determine if the TMS380C26 needs to be placed into slow clock mode. This reference clock is free floating in the range of 10 – 100 kHz.

user-accessible hardware registers and TMS380C26-internal pointers

The following tables show how to access internal data via pointers and how to address the registers in the host interface. The SIFACL register, which directly controls device operation, is described in detail.

NOTE:

The Adapter-Internal Pointers Table is defined only after TMS380C26 initialization and until the OPEN command is issued.

These pointers are defined by the TMS380C26 software (microcode), and this table describes the release 1.00 and 2.x software.

Adapter-Internal Pointers for Token-Ring†

| ADDRESS | DESCRIPTION |
|-----------|---|
| >00.FFF8‡ | Pointer to software raw microcode level in chapter 0. |
| >00.FFFA‡ | Pointer to starting location of copyright notices. Copyright notices are separated by a >0A character and terminated by a >00 character in chapter 0. |
| >01.0A00 | Pointer to burned-in address in chapter 1. |
| >01.0A02 | Pointer to software level in chapter 1. |
| >01.0A04 | Pointer to TMS380C26 addresses in chapter 1: Pointer + 0 node address. Pointer + 6 group address. Pointer + 10 functional address. |
| >01.0A06 | Pointer to TMS380C26 parameters in chapter 1: Pointer + 0 physical drop number. Pointer + 4 upstream neighbor address. Pointer + 10 upstream physical drop number. Pointer + 14 last ring poll address. Pointer + 20 reserved. Pointer + 22 transmit access priority. Pointer + 24 source class authorization. Pointer + 26 last attention code. Pointer + 28 source address of the last received frame. Pointer + 34 last beacon type. Pointer + 36 last major vector. Pointer + 38 ring status. Pointer + 40 soft error timer value. Pointer + 42 ring interface error counter. Pointer + 44 local ring number. Pointer + 46 monitor error code. Pointer + 48 last beacon transmit type. Pointer + 50 last beacon receive type. Pointer + 52 last MAC frame correlator. Pointer + 54 last beaconing station UNA. Pointer + 60 reserved. Pointer + 64 last beaconing station physical drop number. |
| >01.0A08 | Pointer to MAC buffer (a special buffer used by the software to transmit adapter generated MAC frames) in chapter 1. |
| >01.0A0A | Pointer to LLC counters in chapter 1: Pointer + 0 MAX_SAPs. Pointer + 1 open SAPs. Pointer + 2 MAX_STATIONS. Pointer + 3 open stations. Pointer + 4 available stations. Pointer + 5 reserved. |
| >01.0A0C | Pointer to 4-/16-Mbps word flag. If zero, then 4 Mbps. If nonzero, then the adapter is set to run at 16-Mbps data rate. |
| >01.0A0E | Pointer to total TMS380C26 RAM found in Kbytes in RAM allocation test in chapter 1. |

† This table describes the pointers for release 1.00 and 2.x of the TMS380C26 software.

‡ This address valid only for microcode release 2.x.

TMS380C26 NETWORK COMMPROCESSOR

SPWS010A—APRIL 1992—REVISED MARCH 1993

Adapter-Internal Pointers for Ethernet†

| ADDRESS | DESCRIPTION |
|-----------|---|
| >00.FFF8‡ | Software raw microcode level in chapter 0. |
| >00.FFFA‡ | Pointer to starting location of copyright notices. Copyright notices are separated by a >0A character and terminated by a >00 character in chapter 0. |
| >01.0A00 | Pointer to burned-in address in chapter 1. |
| >01.0A02 | Pointer to software level in chapter 1. |
| >01.0A04 | Pointer to TMS380C26 addresses in chapter 1: Pointer + 0 node address. Pointer + 6 group address. Pointer + 10 functional address. |
| >01.0A08 | Pointer to MAC buffer (a special buffer used by the software to transmit adapter generated MAC frames) in chapter 1. |
| >01.0A0A | Pointer to LLC counters in chapter 1: Pointer + 0 MAX_SAPs. Pointer + 1 open SAPs. Pointer + 2 MAX_STATIONS. Pointer + 3 open stations. Pointer + 4 available stations. Pointer + 5 reserved. |
| >01.0A0C | Pointer to 4-/16-Mbps word flag. If zero, then 4 Mbps. If nonzero, then the adapter is set to run at 16-Mbps data rate. |
| >01.0A0E | Pointer to total TMS380C26 RAM found in Kbytes in RAM allocation test in chapter 1. |

† This table describes the pointers for release 1.00 and 2.x of the TMS380C26 software.

‡ This address valid only for microcode release 2.x.

User-Access Hardware Registers

| 808x 16-Bit Mode: ($\overline{SI/\overline{M}} = 1, S8/\overline{SHALT} = 0$) [†] | | | | | | |
|--|------|------|-------------------------------------|----------------------|--|----------------------|
| Word Transfers | | | Normal Mode SBHE = 0 SRS2 = 0 | | Pseudo-DMA Mode Active SBHE = 0 SRS2 = 0 | |
| Byte Transfers | | | SBHE = 0 SRS2 = 1 | SBHE = 1 SRS2 = 0 | SBHE = 0 SRS2 = 1 | SBHE = 1 SRS2 = 0 |
| SRSX | SRS0 | SRS1 | | | | |
| 0 | 0 | 0 | SIFDAT MSB | SIFDAT LSB | — | SDMADAT |
| 0 | 0 | 1 | SIFDAT/INC MSB | SIFDAT/INC LSB | DMALEN MSB | DMALEN LSB |
| 0 | 1 | 0 | SIFADR MSB | SIFADR LSB | SDMAADR MSB | SDMAADR LSB |
| 0 | 1 | 1 | SIFCMD | SIFSTS | SDMAADX MSB | SDMAADX LSB |
| 1 | 0 | 0 | SIFACL MSB | SIFACL LSB | SIFACL MSB | SIFACL LSB |
| 1 | 0 | 1 | SIFADR MSB | SIFADR LSB | SIFADR MSB | SIFADR LSB |
| 1 | 1 | 0 | SIFADX MSB | SIFADX LSB | SIFADX MSB | SIFADX LSB |
| 1 | 1 | 1 | DMALEN MSB | DMALEN LSB | DMALEN MSB | DMALEN LSB |

[†] ($\overline{SBHE} = 1$ and $SRS2 = 1$ is not defined)

| 808x 8-Bit Mode: ($\overline{SI/\overline{M}} = 1, S8/\overline{SHALT} = 1$) | | | | | |
|--|------|------|------|--------------------|------------------------|
| SRSX | SRS0 | SRS1 | SRS2 | Normal SBHE = X | Pseudo-DMA SBHE = X |
| 0 | 0 | 0 | 0 | SIFDAT LSB | SDMADAT |
| 0 | 0 | 0 | 1 | SIFDAT MSB | — |
| 0 | 0 | 1 | 0 | SIFDAT/INC LSB | DMALEN LSB |
| 0 | 0 | 1 | 1 | SIFDAT/INC MSB | DMALEN MSB |
| 0 | 1 | 0 | 0 | SIFADR LSB | SDMAADR LSB |
| 0 | 1 | 0 | 1 | SIFADR MSB | SDMAADR MSB |
| 0 | 1 | 1 | 0 | SIFSTS | SDMAADX LSB |
| 0 | 1 | 1 | 1 | SIFCMD | SDMAADX MSB |
| 1 | 0 | 0 | 0 | SIFACL LSB | SIFACL LSB |
| 1 | 0 | 0 | 1 | SIFACL MSB | SIFACL MSB |
| 1 | 0 | 1 | 0 | SIFADR LSB | SIFADR LSB |
| 1 | 0 | 1 | 1 | SIFADR MSB | SIFADR MSB |
| 1 | 1 | 0 | 0 | SIFADX LSB | SIFADX LSB |
| 1 | 1 | 0 | 1 | SIFADX MSB | SIFADX MSB |
| 1 | 1 | 1 | 0 | DMALEN LSB | DMALEN LSB |
| 1 | 1 | 1 | 1 | DMALEN MSB | DMALEN MSB |

| 68xxx Mode: ($\overline{SI/\overline{M}} = 0$) [‡] | | | | | | |
|---|------|------|-------------------------------------|----------------------|--|----------------------|
| Word Transfers | | | Normal Mode SUDS = 0 SLDS = 0 | | Pseudo-DMA Mode Active SUDS = 0 SLDS = 0 | |
| Byte Transfers | | | SUDS = 0 SLDS = 1 | SUDS = 1 SLDS = 0 | SUDS = 0 SLDS = 1 | SUDS = 1 SLDS = 0 |
| SRSX | SRS0 | SRS1 | | | | |
| 0 | 0 | 0 | SIFDAT MSB | SIFDAT LSB | — | SDMADAT |
| 0 | 0 | 1 | SIFDAT/INC MSB | SIFDAT/INC LSB | DMALEN MSB | DMALEN LSB |
| 0 | 1 | 0 | SIFADR MSB | SIFADR LSB | SDMAADR MSB | SDMAADR LSB |
| 0 | 1 | 1 | SIFCMD | SIFSTS | SDMAADX MSB | SDMAADX LSB |
| 1 | 0 | 0 | SIFACL MSB | SIFACL LSB | SIFACL MSB | SIFACL LSB |
| 1 | 0 | 1 | SIFADR MSB | SIFADR LSB | SIFADR MSB | SIFADR LSB |
| 1 | 1 | 0 | SIFADX MSB | SIFADX LSB | SIFADX MSB | SIFADX LSB |
| 1 | 1 | 1 | DMALEN MSB | DMALEN LSB | DMALEN MSB | DMALEN LSB |

[‡] 68xxx Mode is always 16-bit.

TMS380C26 NETWORK COMMPROCESSOR

SPWS010A—APRIL 1992—REVISED MARCH 1993

SIF Adapter Control Register (SIFACL)

The SIFACL register allows the host processor to control and to some extent reconfigure the TMS380C26 under software control.

SIFACL Register

| Bit # | 0 | 1 | 2 | 3 | 4 | 5 | 6 | 7 | 8 | 9 | 10 | 11 | 12 | 13 | 14 | 15 |
|-------|---|---|---|---|--------|--------|-------|---------|--------|--------|------|------|--------|------|--------------|--------------|
| | T | T | T | — | SWHLDA | SWDDIR | SWHRQ | PSDMAEN | ARESET | CPHALT | BOOT | RES0 | SINTEN | PEN | NSEL OUT0 | NSEL OUT1 |
| | 0 | 1 | 2 | | | | | | | | | | | | | |
| | R | R | R | | RP-0 | R-u | R-0 | RS-0 | RW-0 | RP-b | RP-b | R | RW-1 | RP-p | RP-0 | RP-1 |

R = Read, W = Write, P = Write during ARESET = 1 only, S = Set Only,
-n = Value after reset
(b = Value on BTSTRP pin, p = Value on PRTYEN pin, u = Indeterminate)

Bits 0-2: TEST (0-2). Value on TEST (0-2) pins.

These bits are read only and always reflect the value on the corresponding device pins. This allows the host S/W to determine the network type and speed configuration. If the network speed and type are software configurable, these bits can be used to determine which configurations are supported by the network hardware.

| TEST0 | TEST1 | TEST2 | Description |
|-------|-------|-------|----------------------------|
| L | L | H | Reserved |
| L | H | H | 16 Mbps token ring |
| H | L | H | Ethernet (802.3/Blue Book) |
| H | H | H | 4 Mbps token ring |
| X | X | 0 | Reserved |

Bit 3: Reserved. Read data is indeterminate.

Bit 4: SWHLDA — Software Hold Acknowledge

This bit allows the SHLDA/ $\overline{\text{SBGR}}$ pin's function to be emulated from software control for pseudo-DMA.

| PSDMAEN | SWHLDA | SWHRQ | RESULT |
|---------|--------|-------|---|
| 0† | X | X | SWHLDA value in the SIFACL register cannot be set to a one. |
| 1† | 0 | 0 | No pseudo-DMA request pending. |
| 1† | 0 | 1 | Indicates a pseudo-DMA request interrupt. |
| 1† | 1 | X | Pseudo-DMA process in progress. |

† The value on the SHLDA/ $\overline{\text{SBGR}}$ pin is ignored.

Bit 5: SWDDIR — Current SDDIR Signal Value

This bit contains the current value of the pseudo-DMA direction. This enables the host to easily determine the direction of DMA transfers, which allows system DMA to be controlled by system software.

- 0 = Pseudo-DMA from host system to TMS380C26.
- 1 = Pseudo-DMA from TMS380C26 to host system.

Bit 6: SWHRQ — Current SHRQ Signal Value

This bit contains the current value on the SHRQ/ $\overline{\text{SBRQ}}$ pin when in Intel mode, and the inverse of the SHRQ/ $\overline{\text{SBRQ}}$ pin when in Motorola mode. This enables the host to easily determine if a pseudo-DMA transfer is requested.

| INTEL MODE (SI/ $\overline{\text{M}}$ pin = H) | MOTOROLA MODE (SI/ $\overline{\text{M}}$ pin = L) |
|--|---|
| 0 = System bus not requested | System bus not requested |
| 1 = System bus requested | System bus requested |

Bit 7: PSDMAEN — Pseudo-System-DMA Enable

This bit enables pseudo-DMA operation

- 0 = Normal bus master DMA operation possible.
- 1 = Pseudo-DMA operation selected. Operation dependent on the values of the SWHLDA and SWHRQ bits in the SIFACL register.

Bit 8: ARESET — Adapter Reset

This bit is a hardware reset of the TMS380C26. This bit has the same effect as the $\overline{\text{SRESET}}$ pin, except that the DIO interface to the SIFACL register is maintained. This bit will be set to one if a clock failure is detected (OSCIN, PXTALIN, RCLK, or SBCLK not valid).

- 0 = The TMS380C26 operates normally.
- 1 = The TMS380C26 is held in the reset condition.

Bit 9: CPHALT — Communications Processor Halt

This bit prevents the TMS380C26's processor from accessing the internal TMS380C26 buses. This prevents the TMS380C26 from executing instructions before the microcode has been downloaded.

- 0 = The TMS380C26's processor can access the internal TMS380C26 buses.
- 1 = The TMS380C26's processor is prevented from accessing the internal adapter buses.

Bit 10: BOOT — Bootstrap CP Code

This bit indicates whether the memory in chapters 0 and 31 of the local memory space is RAM or ROM/PROM/EPROM. This bit then controls the operation of the $\overline{\text{MCAS}}$ and $\overline{\text{MROMEN}}$ pins.

- 0 = ROM/PROM/EPROM memory in chapters 0 and 31.
- 1 = RAM memory in chapters 0 and 31.

Bit 11: RES0 — Reserved. This bit must be set to zero

TMS380C26 NETWORK COMMPROCESSOR

SPWS010A—APRIL 1992—REVISED MARCH 1993

Bit 12: SINTEN — System-Interrupt Enable

This bit allows the host processor to enable or disable system interrupt requests from the TMS380C26. The system interrupt request from the TMS380C26 is on the SINTR/SIRQ pin. The following equation shows how the SINTR/SIRQ pin is driven. The table also explains the results of the states.

$$\text{SINTR/SIRQ} = (\text{PSDMAEN} * \text{SWHRQ} * \overline{\text{SWHLDA}}) + (\text{SINTEN} * \text{SYSTEM_INTERRUPT})$$

| PSDMAEN | SWHRQ | SWHLDA | SINTEN | SYSTEM INTERRUPT (SIFSTS Reg.) | RESULT |
|---------|-------|--------|--------|--------------------------------|--|
| 1† | 1 | 1 | X | X | Pseudo-DMA is active. |
| 1† | 1 | 0 | X | X | The TMS380C26 generated a system interrupt for a pseudo-DMA. |
| 1† | 0 | 0 | X | X | Not a pseudo-DMA interrupt. |
| X | X | X | 1 | 1 | The TMS380C26 will generate a system interrupt. |
| 0 | X | X | 1 | 0 | The TMS380C26 will not generate a system interrupt. |
| 0 | X | X | 0 | X | The TMS380C26 can not generate a system interrupt. |

† The value on the SHLDA/SBGR pin is ignored.

Bit 13: PEN — Adapter Parity Enable

This bit determines whether data transfers within the TMS380C26 are checked for parity.

- 0 = Data transfers are not checked for parity
- 1 = Data transfers are checked for correct odd parity.

Bit 14 — 15: NSELOUT (0–1) — Network selection outputs.

The values in these bits control the output pins NSELOUT0 and NSELOUT1. These bits can only be modified while the ARESET bit is set.

These bits can be used to software configure a multi-protocol TMS380C26, as follows:

The NSELOUT0 and NSELOUT1 pins should be connected to TEST0 and TEST1 pins respectively (TEST2 should be left unconnected or tied high). NSELOUT0 should be used to select network speed and NSELOUT1 network type, as shown in the table below:

| NSELOUT0 | NSELOUT1 | |
|----------|----------|----------------------------|
| 0 | 0 | Reserved |
| 0 | 1 | 16 Mbps token ring |
| 1 | 0 | Ethernet (802.3/Blue Book) |
| 1 | 1 | 4 Mbps token ring |

At power-up these bits are set NSELOUT1 = 1, NSELOUT0 = 0 corresponding to 16 Mbps token ring.

SIFACL Control for Pseudo-DMA Operation

Pseudo-DMA is software controlled by the use of five bits in the SIFACL register. The logic model for the SIFACL register control of pseudo-DMA operation is shown in Figure 3.

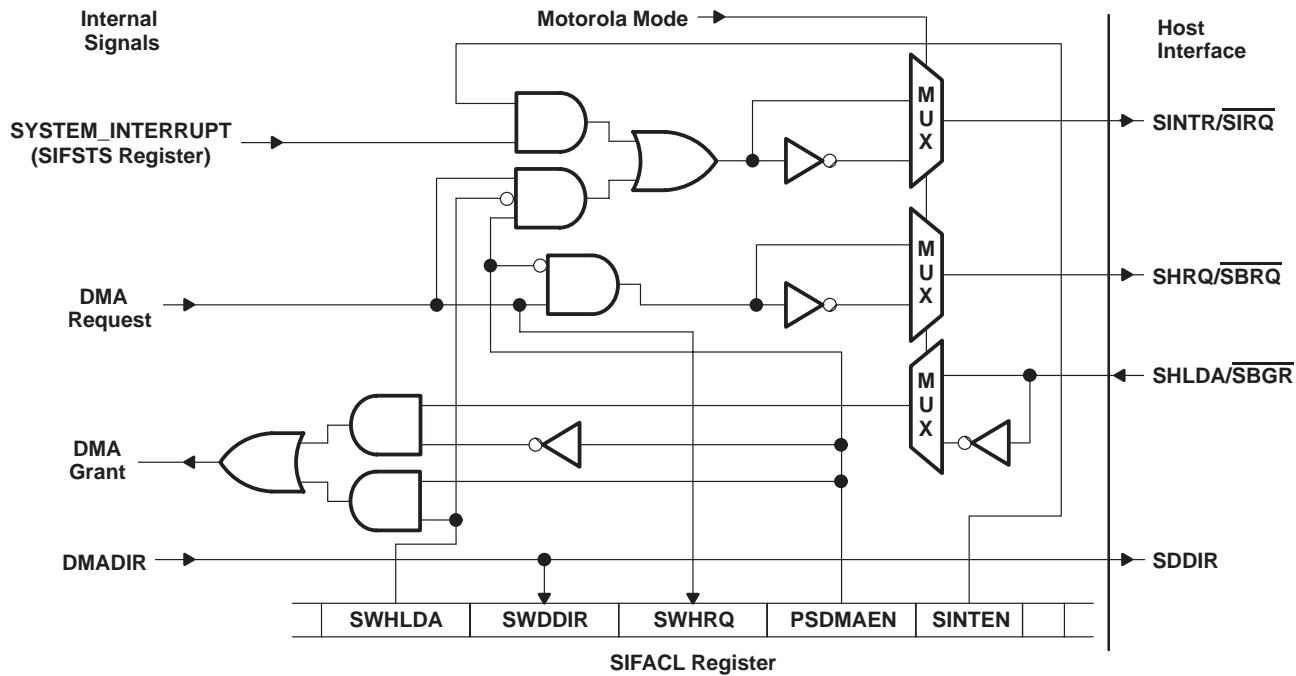


Figure 3. Pseudo-DMA Logic Related to SIFACL Bits

TMS380C26 NETWORK COMMPROCESSOR

SPWS010A—APRIL 1992—REVISED MARCH 1993

absolute maximum ratings over operating free-air temperature range (unless otherwise noted)†

| | |
|---|-----------------|
| Supply voltage range, V_{DD} (see Note 6) | 7 V |
| Input voltage range (see Note 6) | - 0.3 V to 20 V |
| Output voltage range | - 2 V to 7 V |
| Power dissipation | 1.0 W |
| Operating free-air temperature range | 0°C to 70°C |
| Storage temperature range | -65°C to 150°C |

† Stresses beyond those listed under “absolute maximum ratings” may cause permanent damage to the device. These are stress ratings only and functional operation of the device at these or any other conditions beyond those indicated under “recommended operating conditions” is not implied. Exposure to absolute-maximum-rated conditions for extended periods may affect device reliability.

NOTE 6: Voltage values are with respect to V_{SS} .

recommended operating conditions

| | | MIN | NOM | MAX | UNIT |
|----------|--|---------------------|------|--------------|---------|
| V_{DD} | Supply voltage | 4.75 | 5 | 5.25 | V |
| V_{SS} | Supply voltage (see Note 7) | 0 | 0 | 0 | V |
| V_{IH} | High-level input voltage | TTL-level signal | 2.0 | $V_{DD}+0.3$ | V |
| | | OSCIN† | 2.6 | $V_{DD}+0.3$ | |
| | | RCLK, PXTALIN, RCVR | 2.6 | $V_{DD}+0.3$ | |
| V_{IL} | Low-level input voltage, TTL-level signal (see Note 8) | OSCIN‡ | -0.3 | 0.6 | V |
| | | All other | -0.3 | 0.8 | |
| I_{OH} | High level output current | | | -400 | μ A |
| I_{OL} | Low level output current (see Note 9) | | | 2 | mA |
| T_A | Operating free-air temperature | 0 | | 70 | °C |

† The minimum level specified is a result of the manufacturing test environment. This signal has been characterized to a minimum level of 2.4 V over the full temperature range.

‡ The maximum level specified is a result of the manufacturing test environment. This signal has been characterized to a maximum level of 0.8 V over the full temperature range.

NOTES: 7. All V_{SS} pins should be routed to minimize inductance to system ground.

8. The algebraic convention, where the more negative (less positive) limit is designated as a minimum, is used in this data sheet for logic voltage levels only.

9. Output current of 2 mA is sufficient to drive five low-power Schottky TTL loads or ten advanced low-power Schottky TTL loads (worst case).

electrical characteristics over full ranges of recommended operating conditions (unless otherwise noted)

| PARAMETER | | TEST CONDITIONS (see Note 10) | MIN | TYP | MAX | UNIT |
|-----------|---|---|-----|-----|----------|---------|
| V_{OH} | High-level output voltage, TTL-level signal (see Note 11) | $V_{DD} = \text{min}, I_{OH} = \text{max}$ | 2.4 | | | V |
| V_{OL} | Low-level output voltage, TTL-level signal | $V_{DD} = \text{min}, I_{OL} = \text{max}$ | | | 0.6 | V |
| I_O | High-impedance output current | $V_{DD} = \text{max}, V_O = 2.4 \text{ V}$ | | | 20 | μ A |
| | | $V_{DD} = \text{max}, V_O = 0.4 \text{ V}$ | | | -20 | |
| I_I | Input current, any input or input/output pin | $V_I = V_{SS} \text{ to } V_{DD}$ | | | ± 20 | μ A |
| I_{DD} | Supply current | $V_{DD} = \text{max}$ | | | 220 | mA |
| C_i | Input capacitance, any input | $f = 1 \text{ MHz}, \text{ other pins at } 0 \text{ V}$ | | | 15 | pF |
| C_o | Output capacitance, any output or input/output | $f = 1 \text{ MHz}, \text{ other pins at } 0 \text{ V}$ | | | 15 | pF |

NOTES: 10. For conditions shown as MIN or MAX, use the appropriate value specified under the recommended operating conditions.

11. The following signals require an external pullup resistor: SRAS/SAS, SRDY/SDTACK, SRD/SUDS, SWR/SLDS, EXTINT0–EXTINT3, and MBRQ.



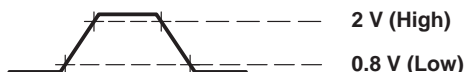
POST OFFICE BOX 1443 • HOUSTON, TEXAS
77251-1443

PARAMETER MEASUREMENT INFORMATION

Outputs are driven to a minimum high-logic level of 2.4 volts and to a maximum low-logic level of 0.6 volts. These levels are compatible with TTL devices.

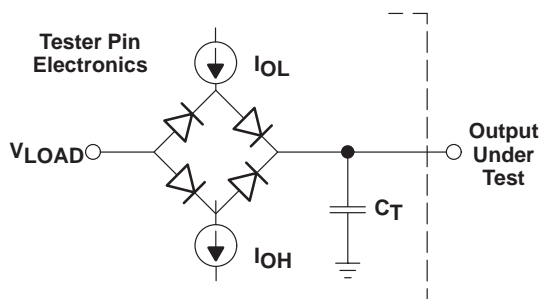
Output transition times are specified as follows: For a high-to-low transition on either an input or output signal, the level at which the signal is said to be no longer high is 2 volts, and the level at which the signal is said to be low is 0.8 volts. For a low-to-high transition, the level at which the signal is said to be no longer low is 0.8 volts, and the level at which the signal is said to be high is 2 volts, as shown below.

The rise and fall times are not specified but are assumed to be those of standard TTL devices, which are typically 1.5 ns.



test measurement

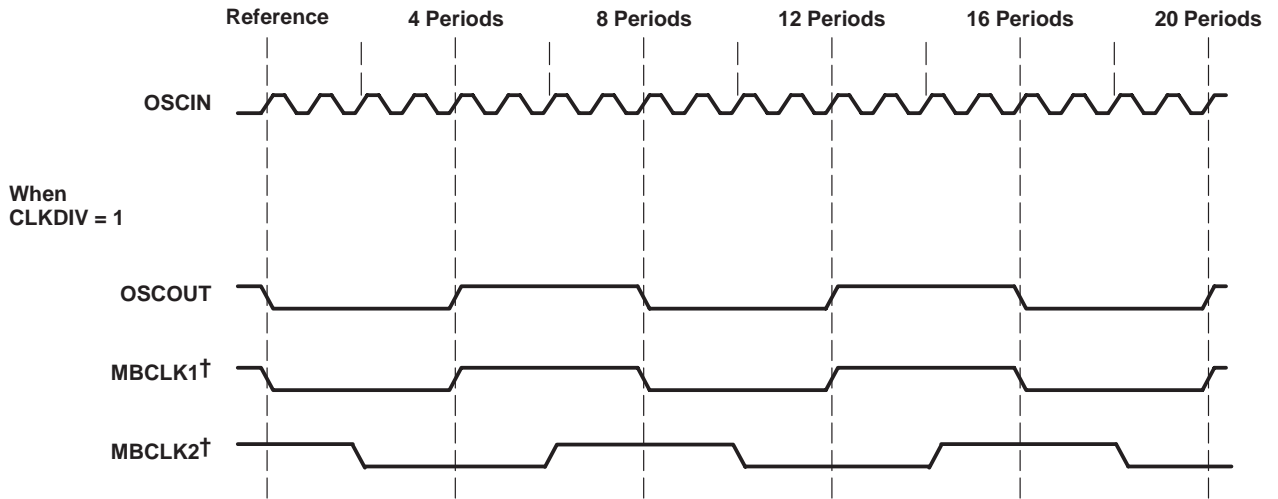
The test load circuit shown in Figure 4 represents the programmable load of the tester pin electronics which are used to verify timing parameters of TMS380C26 output signals.



Where: $I_{OL} = 2.0 \text{ mA}$ DC level verification (all outputs)
 $I_{OH} = 400 \mu\text{A}$ (all outputs)
 $V_{LOAD} = 1.5 \text{ V}$ typical DC level verification
 0.7 V typical timing verification
 $C_T = 65 \text{ pF}$ typical load circuit capacitance

Figure 4. Test Load Circuit

PARAMETER MEASUREMENT INFORMATION



† The MBCLK1 and MBCLK2 signals have no timing relationship to the OSCOUT signal. The MBCLK1 and MBCLK2 signals can start on any OSCIN rising edge, depending on when the memory cycle starts execution.

Figure 5. Clock Waveforms After Clock Stabilization

PARAMETER MEASUREMENT INFORMATION

timing parameters

The timing parameters for all the pins of TMS380C26 are shown in the following tables and are illustrated in the accompanying figures. The purpose of these figures and tables is to quantify the timing relationships among the various signals. The parameters are numbered for convenience.

static signals

The following table lists signals that are not allowed to change dynamically and therefore have no timing associated with them. They should be strapped high or low as required.

| SIGNAL | FUNCTION |
|--------|---|
| SI/M | Host processor select. (Intel/Motorola) |
| CLKDIV | Reserved |
| BTSTRP | Default bootstrap mode. (RAM/ROM) |
| PRTYEN | Default parity select. (enabled/disabled) |
| TEST0 | Test pin, indicates network type |
| TEST1 | Test pin, indicates network type |
| TEST2 | Test pin, indicates network type |
| TEST3 | Test pin for TI manufacturing test. † |
| TEST4 | Test pin for TI manufacturing test. † |
| TEST5 | Test pin for TI manufacturing test. † |

† For unit-in-place test.

timing parameter symbology

Timing parameter symbols have been created in accordance with JEDEC standard 100. In order to shorten the symbols, some of the pin names and other related terminology have been abbreviated as shown below:

| | | | |
|-----|-------|-----|------------|
| DR | DRVR | RS | SRESET |
| DRN | DRVR | VDD | VDDL, VDDB |
| OSC | OSCIN | | |
| SCK | SBCLK | | |

Lower case subscripts are defined as follows:

| | | | |
|---|------------------------|----|-----------------|
| c | cycle time | r | rise time |
| d | delay time | sk | skew |
| h | hold time | su | setup time |
| w | pulse duration (width) | t | transition time |

The following additional letters and phrases are defined as follows:

| | | | |
|---|-------|--------------|----------------|
| H | High | Z | High impedance |
| L | Low | Falling edge | No longer high |
| V | Valid | Rising edge | No longer low |

TMS380C26 NETWORK COMMPROCESSOR

SPWS010A—APRIL 1992—REVISED MARCH 1993

PARAMETER MEASUREMENT INFORMATION

power up, SBCLK, OSCIN, MBCLK1, MBCLK2, SYNCIN, and SRESET timing

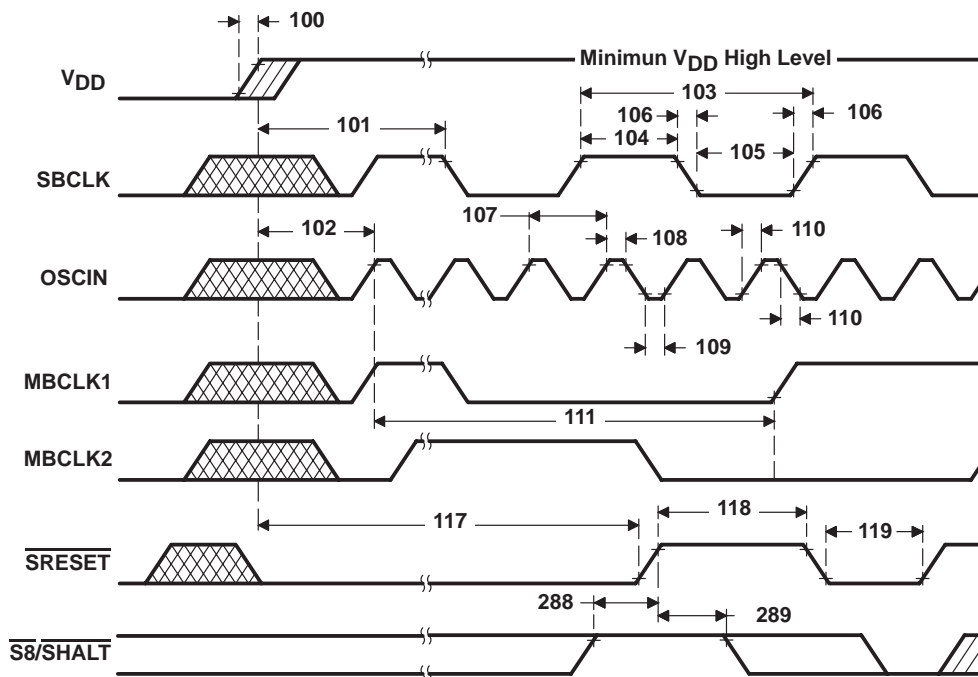
| NO. | PARAMETER | MIN | MAX | UNIT |
|-------|--|------|-------------|------|
| 100† | $t_r(VDD)$ Rise time from 1.2 V to V_{DD} minimum high level | | 1 | ms |
| 101†‡ | $t_d(VDDH-SCKV)$ Delay time from minimum V_{DD} high level to first valid SBCLK no longer high | | 1 | ms |
| 102†‡ | $t_d(VDDH-OSCV)$ Delay time from minimum V_{DD} high level to first valid OSCIN high | | 1 | ms |
| 103 | $t_c(SCK)$ Cycle time of SBCLK | 62.5 | | ns |
| 104 | $t_w(SCKH)$ Pulse duration of SBCLK high | 26 | | ns |
| 105 | $t_w(SCKL)$ Pulse duration of SBCLK low | 26 | | ns |
| 106† | $t_t(SCK)$ Transition time of SBCLK | | 5 | ns |
| 107 | $t_c(OSC)$ Cycle time of OSCIN (see Note 12) | 15.6 | 500 | ns |
| 108 | $t_w(OSCH)$ Pulse duration of OSCIN high | 5.5 | | ns |
| 109 | $t_w(OSCL)$ Pulse duration of OSCIN low | 5.5 | | ns |
| 110† | $t_t(OSC)$ Transition time of OSCIN | | 3 | ns |
| 111† | $t_d(OSCV-CKV)$ Delay time from OSCIN valid to MBCLK1 and MBCLK2 valid | | 1 | ms |
| 117† | $t_h(VDDH-RSL)$ Hold time of SRESET low after V_{DD} reaches minimum high level | 5 | | ms |
| 118† | $t_w(RSH)$ Pulse duration of SRESET high | 14 | | μs |
| 119† | $t_w(RSL)$ Pulse duration of SRESET low | 14 | | μs |
| 288† | $t_{su}(RST)$ Setup time of DMA size to SRESET high (Intel mode only) | 15 | | ns |
| 289† | $t_h(RST)$ Hold time of DMA size from SRESET high (Intel mode only) | 15 | | ns |
| | t_M One-eighth of an local memory cycle | | $2t_c(OSC)$ | |

† This specification is provided as an aid to board design.

‡ If parameter 101 or 102 cannot be met, parameter 117 must be extended by the larger difference: real value of parameter 101 or 102 minus the max value listed.

NOTE 12: If OSCIN is used to generate PXTALIN, the specification for the tolerance of OSCIN is equal to $\pm 0.01\%$.

PARAMETER MEASUREMENT INFORMATION



NOTE A: In order to represent the information on one figure, non-actual phase and timebase characteristics are shown. Please refer to specified parameters for precise information.

Figure 6. Power Up, SBCLK, OSCIN, MBCLK1, MBCLK2, $\overline{\text{SYNCIN}}$, and $\overline{\text{SRESET}}$ Timing

TMS380C26 NETWORK COMMPROCESSOR

SPWS010A—APRIL 1992—REVISED MARCH 1993

PARAMETER MEASUREMENT INFORMATION

memory bus timing: clocks, $\overline{\text{MAL}}$, $\overline{\text{MROMEN}}$, $\overline{\text{MBIAEN}}$, $\overline{\text{NMI}}$, $\overline{\text{MRESET}}$, and ADDRESS

t_M is the cycle time of one-eighth of a local memory cycle (31.25 ns minimum)

| NO. | PARAMETER | MIN | MAX | UNIT |
|-----|---|------------|-----|------|
| 1 | Period of MBCLK1 and MBCLK2 | $4t_M$ | | ns |
| 2 | Pulse duration of clock high | $2t_M-9$ | | ns |
| 3 | Pulse duration of clock low | $2t_M-9$ | | ns |
| 4 | Hold time of MBCLK2 low after MBCLK1 high | t_M-9 | | ns |
| 5 | Hold time of MBCLK1 high after MBCLK2 high | t_M-9 | | ns |
| 6 | Hold time of MBCLK2 high after MBCLK1 low | t_M-9 | | ns |
| 7 | Hold time of MBCLK1 low after MBCLK2 low | t_M-9 | | ns |
| 8 | Setup time of address/enable on MAX0, MAX2, and $\overline{\text{MROMEN}}$ before MBCLK1 no longer high | t_M-9 | | ns |
| 9 | Setup time of row address on MADL0–MADL7, MAXPH, and MAXPL before MBCLK1 no longer high | t_M-14 | | ns |
| 10 | Setup time of address on MADH0–MADH7 before MBCLK1 no longer high | t_M-14 | | ns |
| 11 | Setup time of $\overline{\text{MAL}}$ high before MBCLK1 no longer high | t_M-13 | | ns |
| 12 | Setup time of address on MAX0, MAX2, and $\overline{\text{MROMEN}}$ before MBCLK1 no longer low | $0.5t_M-9$ | | ns |
| 13 | Setup time of column address on MADL0–MADL7, MAXPH, and MAXPL before MBCLK1 no longer low | $0.5t_M-9$ | | ns |
| 14 | Setup time of status on MADH0–MADH7 before MBCLK1 no longer low | $0.5t_M-9$ | | ns |
| 120 | Setup time of $\overline{\text{NMI}}$ valid before MBCLK1 low | 30 | | ns |
| 121 | Hold time of $\overline{\text{NMI}}$ valid after MBCLK1 low | 0 | | ns |
| 126 | Delay time from MBCLK1 no longer low to $\overline{\text{MRESET}}$ valid | 0 | 20 | ns |
| 129 | Hold time of column address/status after MBCLK1 no longer low. | t_M-7 | | ns |

PARAMETER MEASUREMENT INFORMATION

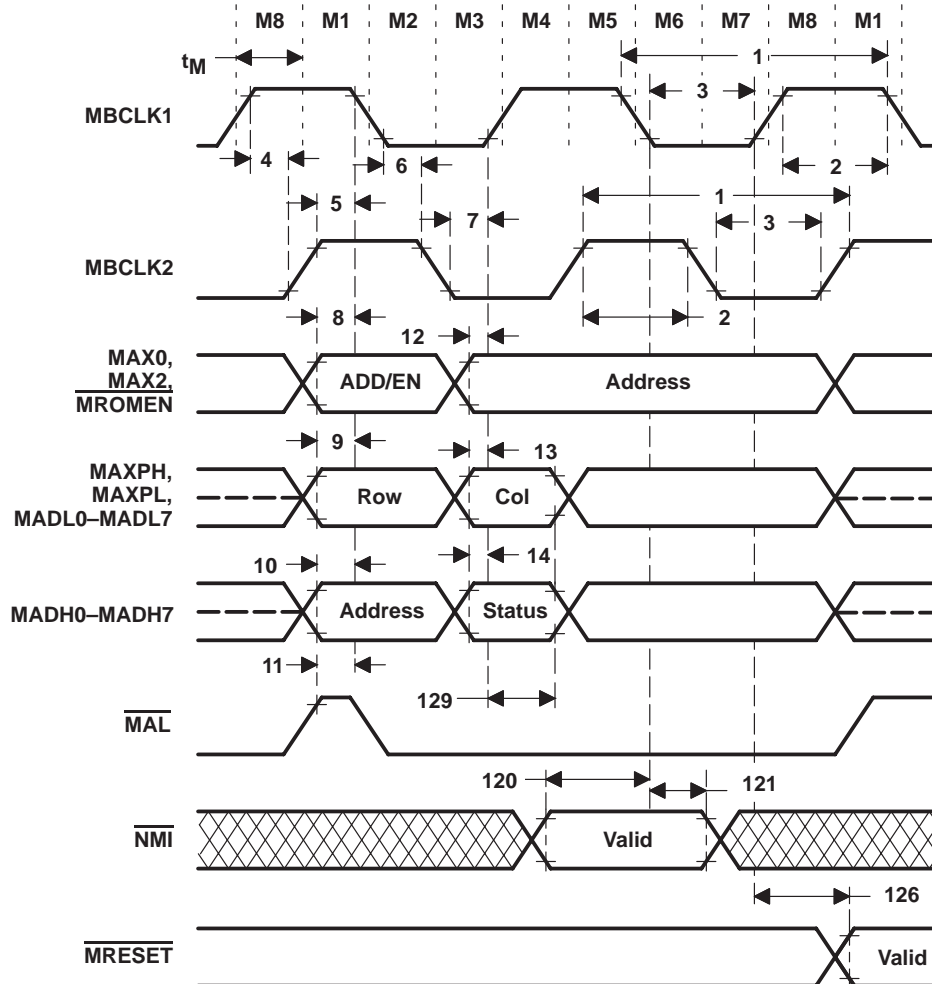


Figure 7. Memory Bus Timing: Clocks, $\overline{\text{MAL}}$, $\overline{\text{MROMEN}}$, $\overline{\text{MBIAEN}}$, $\overline{\text{NMI}}$, $\overline{\text{MRESET}}$, and ADDRESS

TMS380C26 NETWORK COMMPROCESSOR

SPWS010A—APRIL 1992—REVISED MARCH 1993

PARAMETER MEASUREMENT INFORMATION

memory bus timing: clocks, $\overline{\text{MRAS}}$, $\overline{\text{MCAS}}$, and $\overline{\text{MAL}}$ to ADDRESS

t_M is the cycle time of one-eighth of a local memory cycle (31.25 ns minimum)

| NO. | PARAMETER | MIN | MAX | UNIT |
|-----|--|-----------------|-----|------|
| 15 | Setup time of row address on MADL0–MADL7, MAXPH, and MAXPL before $\overline{\text{MRAS}}$ no longer high | $1.5t_M - 11.5$ | | ns |
| 16 | Hold time of row address on MADL0–MADL7, MAXPH, and MAXPL after $\overline{\text{MRAS}}$ no longer high | $t_M - 6.5$ | | ns |
| 17 | Delay time from $\overline{\text{MRAS}}$ no longer high to $\overline{\text{MRAS}}$ no longer high in the next memory cycle | $8t_M$ | | ns |
| 18 | Pulse duration of $\overline{\text{MRAS}}$ low | $4.5t_M - 9$ | | ns |
| 19 | Pulse duration of $\overline{\text{MRAS}}$ high | $3.5t_M - 9$ | | ns |
| 20 | Setup time of column address (MADH0–MADH7, MAXPH, and MAXPL) and status (MADH0–MADH7) before $\overline{\text{MCAS}}$ no longer high | $0.5t_M - 9$ | | ns |
| 21 | Hold time of column address (MADH0–MADH7, MAXPH, and MAXPL) and status (MADH0–MADH7) after $\overline{\text{MCAS}}$ low | $t_M - 9$ | | ns |
| 22 | Hold time of column address (MADH0–MADH7, MAXPH, and MAXPL) and status (MADH0–MADH7) after $\overline{\text{MRAS}}$ no longer high | $2.5t_M - 6.5$ | | ns |
| 23 | Pulse duration of $\overline{\text{MCAS}}$ low | $3t_M - 9$ | | ns |
| 24 | Pulse duration of $\overline{\text{MCAS}}$ high, refresh cycle follows read or write cycle | $2t_M - 9$ | | ns |
| 25 | Hold time of row address on MAXL0–MAXL7, MAXPH, and MAXPL after $\overline{\text{MAL}}$ low | $1.5t_M - 9$ | | ns |
| 26 | Setup time of row address on MAXL0–MAXL7, MAXPH, and MAXPL before $\overline{\text{MAL}}$ no longer high | $t_M - 9$ | | ns |
| 27 | Pulse duration of $\overline{\text{MAL}}$ high | $t_M - 9$ | | ns |
| 28 | Setup time of address/enable on MAX0, MAX2, and $\overline{\text{MROMEN}}$ before $\overline{\text{MAL}}$ no longer high | $t_M - 9$ | | ns |
| 29 | Hold time of address/enable of MAX0, MAX2, and $\overline{\text{MROMEN}}$ after $\overline{\text{MAL}}$ low | $1.5t_M - 9$ | | ns |
| 30 | Setup time of address on MADH0–MADH7 before $\overline{\text{MAL}}$ no longer high | $t_M - 9$ | | ns |
| 31 | Hold time of address on MADH0–MADH7 after $\overline{\text{MAL}}$ low | $1.5t_M - 9$ | | ns |

PARAMETER MEASUREMENT INFORMATION

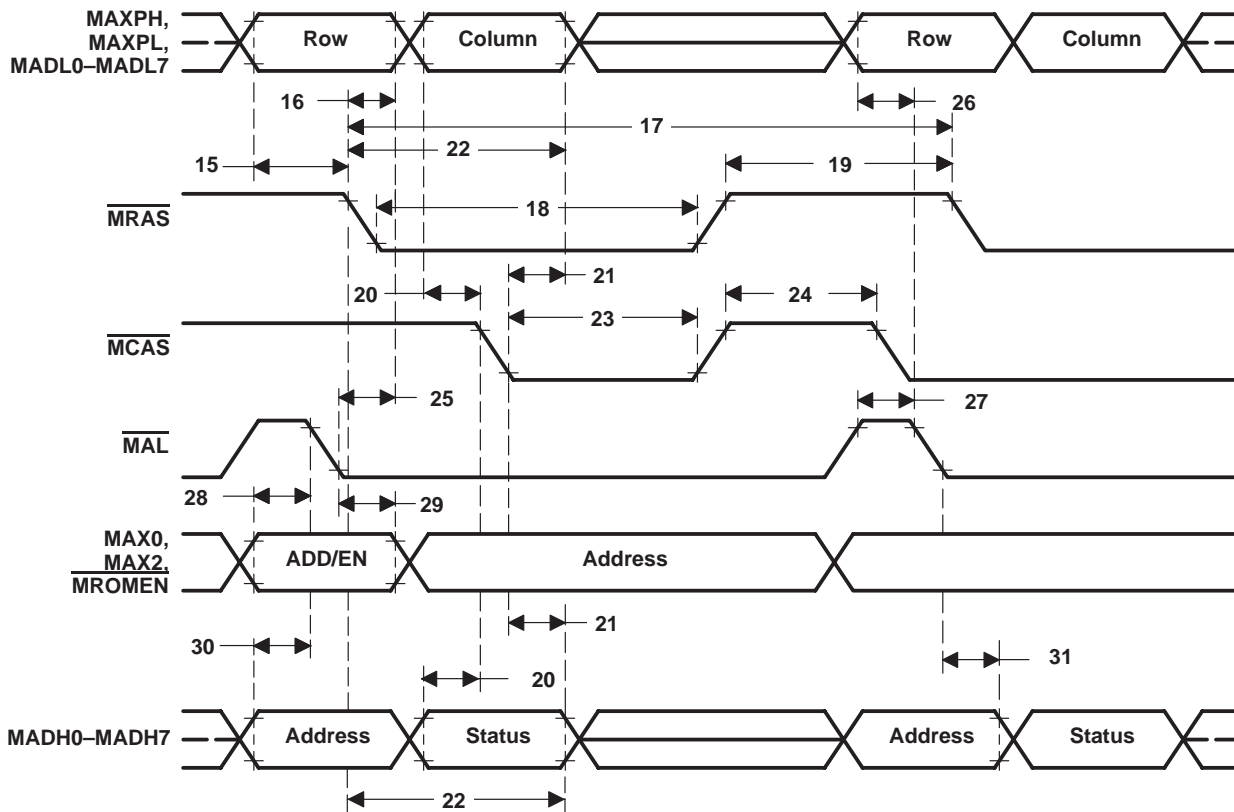


Figure 8. Memory Bus Timing: Clocks, $\overline{\text{MRAS}}$, $\overline{\text{MCAS}}$, and $\overline{\text{MAL}}$ to ADDRESS

TMS380C26 NETWORK COMMPROCESSOR

SPWS010A—APRIL 1992—REVISED MARCH 1993

PARAMETER MEASUREMENT INFORMATION

memory bus timing: read cycle

t_M is the cycle time of one-eighth of a local memory cycle (31.25 ns minimum)

| NO. | PARAMETER | MIN | MAX | UNIT |
|------|---|---------------|-----------------|------|
| 32 | Access time from address/enable valid on MAX0, MAX2, and \overline{MROMEN} to valid data/parity | | $6t_M - 23$ | ns |
| 33 | Access time from address valid on MAXPH, MAXPL, MADH0–MADH7, and MADL0–MADL7 to valid data/parity | | $6t_M - 23$ | ns |
| 35 | Access time from \overline{MRAS} low to valid data/parity | | $4.5t_M - 21.5$ | ns |
| 36 | Hold time of valid data/parity after \overline{MRAS} no longer low | 0 | | ns |
| 37† | Hold time of address high impedance on MAXPH, MAXPL, MADH0–MADH7 and MADL0–MADL7 after \overline{MRAS} high (see Note 13) | $2t_M - 10.5$ | | ns |
| 38 | Access time from \overline{MCAS} low to valid data/parity | | $3t_M - 23$ | ns |
| 39 | Hold time of valid data/parity after \overline{MCAS} no longer low | 0 | | ns |
| 40† | Hold time of address high impedance on MAXPH, MAXPL, MADH0–MADH7, and MADL0–MADL7 after \overline{MCAS} high (see Note 13) | $2t_M - 13$ | | ns |
| 41 | Delay time from \overline{MCAS} no longer high to \overline{MOE} low | | $t_M + 13$ | ns |
| 42† | Setup time of address/status high impedance on MAXPH, MAXPL, MADL0–MADL7, and MADH0–MADH7 before \overline{MOE} no longer high | 0 | | ns |
| 43 | Access time from \overline{MOE} low to valid data/parity | | $2t_M - 25$ | ns |
| 44 | Pulse duration \overline{MOE} low | $2t_M - 9$ | | ns |
| 45 | Delay time from \overline{MCAS} low to \overline{MOE} no longer low | $3t_M - 9$ | | ns |
| 46 | Hold time of valid data/parity in after \overline{MOE} no longer low | 0 | | ns |
| 47† | Hold time of address high impedance on MAXPH, MAXPL, MADH0–MADH7, and MADL0–MADL7 after \overline{MOE} high (see Note 13) | $2t_M - 15$ | | ns |
| 48† | Setup time of address/status high impedance on MAXPH, MAXPL, MADL0–MADL7, and MADH0–MADH7, before \overline{MBEN} no longer high | 0 | | ns |
| 48a† | Setup time of address/status high impedance on MAXPH, MAXPL, MADL0–MADL7, and MADH0–MADH7 and before \overline{MBIAEN} no longer high | 0 | | ns |
| 49 | Access time from \overline{MBEN} low to valid data/parity | | $2t_M - 25$ | ns |
| 49a | Access time from \overline{MBIAEN} low to valid data/parity | | $2t_M - 25$ | ns |
| 50 | Pulse duration \overline{MBEN} low | $2t_M - 9$ | | ns |
| 50a | Pulse duration \overline{MBIAEN} low | $2t_M - 9$ | | ns |
| 51 | Hold time of valid data/parity after \overline{MBEN} no longer low | 0 | | ns |
| 51a | Hold time of valid data/parity after \overline{MBIAEN} no longer low | 0 | | ns |
| 52† | Hold time of address high impedance on MAXPH, MAXPL, MADH0–MADH7, and MADL0–MADL7 after \overline{MBEN} high (see Note 13) | $2t_M - 15$ | | ns |
| 52a† | Hold time of address high impedance on MAXPH, MAXPL, MADH0–MADH7, and MADL0–MADL7 after \overline{MBIAEN} high | $2t_M - 15$ | | ns |
| 53 | Hold time of MDDIR high after \overline{MBEN} high, read follows write cycle | $1.5t_M - 12$ | | ns |
| 54 | Setup time of MDDIR low before \overline{MBEN} no longer high | $3t_M - 9$ | | ns |
| 55 | Hold time of MDDIR low after \overline{MBEN} high, write follows read cycle | $3t_M - 12$ | | ns |

† This specification has been characterized to meet stated value.

NOTE 13: The data/parity that exists on the address lines will most likely achieve a high-impedance condition sometime later than the rising edge, of \overline{MRAS} , \overline{MCAS} , \overline{MOE} , or \overline{MBEN} (between MIN and MAX of timing parameter 36) and will be a function of the memory being read. Hence, the MIN time given represents the time from the rising edge of \overline{MRAS} , \overline{MCAS} , \overline{MOE} , or \overline{MBEN} to the beginning of the next address, and does not represent the actual high-impedance period on the address bus.

PARAMETER MEASUREMENT INFORMATION

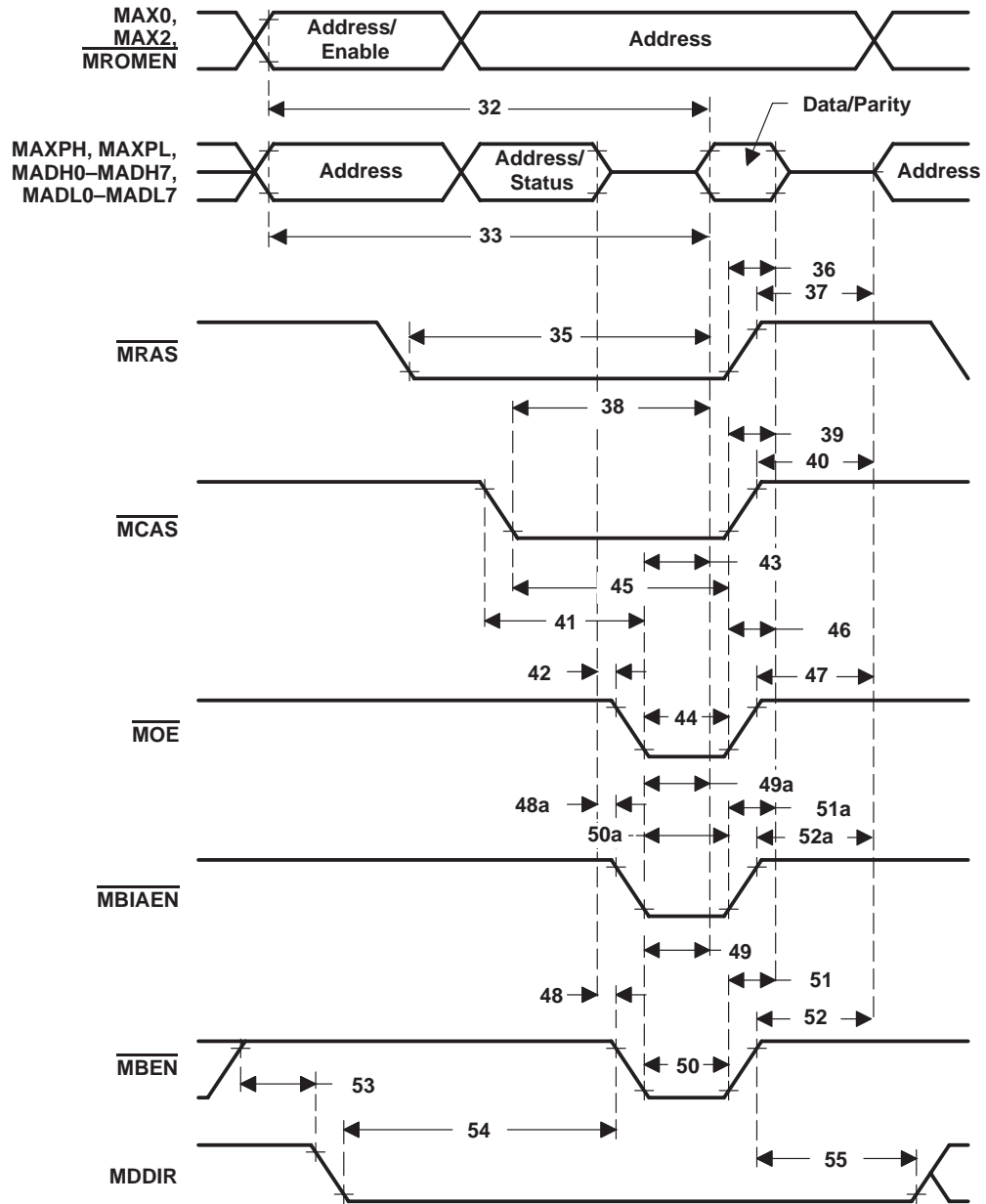


Figure 9. Memory Bus Timing: Read Cycle

TMS380C26 NETWORK COMMPROCESSOR

SPWS010A-APRIL 1992-REVISED MARCH 1993

PARAMETER MEASUREMENT INFORMATION

memory bus timing: write cycle

t_M is the cycle time of one-eighth of a local memory cycle (31.25 ns minimum)

| NO. | PARAMETER | MIN | MAX | UNIT |
|-----|---|-----------------|-----|------|
| 58 | Setup time of \overline{MW} low before \overline{MRAS} no longer low | $1.5t_M - 9$ | | ns |
| 60 | Setup time of \overline{MW} low before \overline{MCAS} no longer low | $1.5t_M - 6.5$ | | ns |
| 63 | Setup time of valid data/parity before \overline{MW} no longer high | $0.5t_M - 11.5$ | | ns |
| 64 | Pulse duration of \overline{MW} low | $2.5t_M - 9$ | | ns |
| 65 | Hold time of data/parity out valid after \overline{MW} high | $0.5t_M - 10.5$ | | ns |
| 66 | Setup time of address valid on $\overline{MAX0}$, $\overline{MAX2}$, and \overline{MROMEN} before \overline{MW} no longer low | $7t_M - 11.5$ | | ns |
| 67 | Hold time from \overline{MRAS} low to \overline{MW} no longer low | $5.5t_M - 9$ | | ns |
| 69 | Hold time from \overline{MCAS} low to \overline{MW} no longer low | $4t_M - 11.5$ | | ns |
| 70 | Setup time of \overline{MBEN} low before \overline{MW} no longer high | $1.5t_M - 13.5$ | | ns |
| 71 | Hold time of \overline{MBEN} low after \overline{MW} high | $0.5t_M - 6.5$ | | ns |
| 72 | Setup time of \overline{MDDIR} high before \overline{MBEN} no longer high | $2t_M - 9$ | | ns |
| 73 | Hold time of \overline{MDDIR} high after \overline{MBEN} high | $1.5t_M - 12$ | | ns |

PARAMETER MEASUREMENT INFORMATION

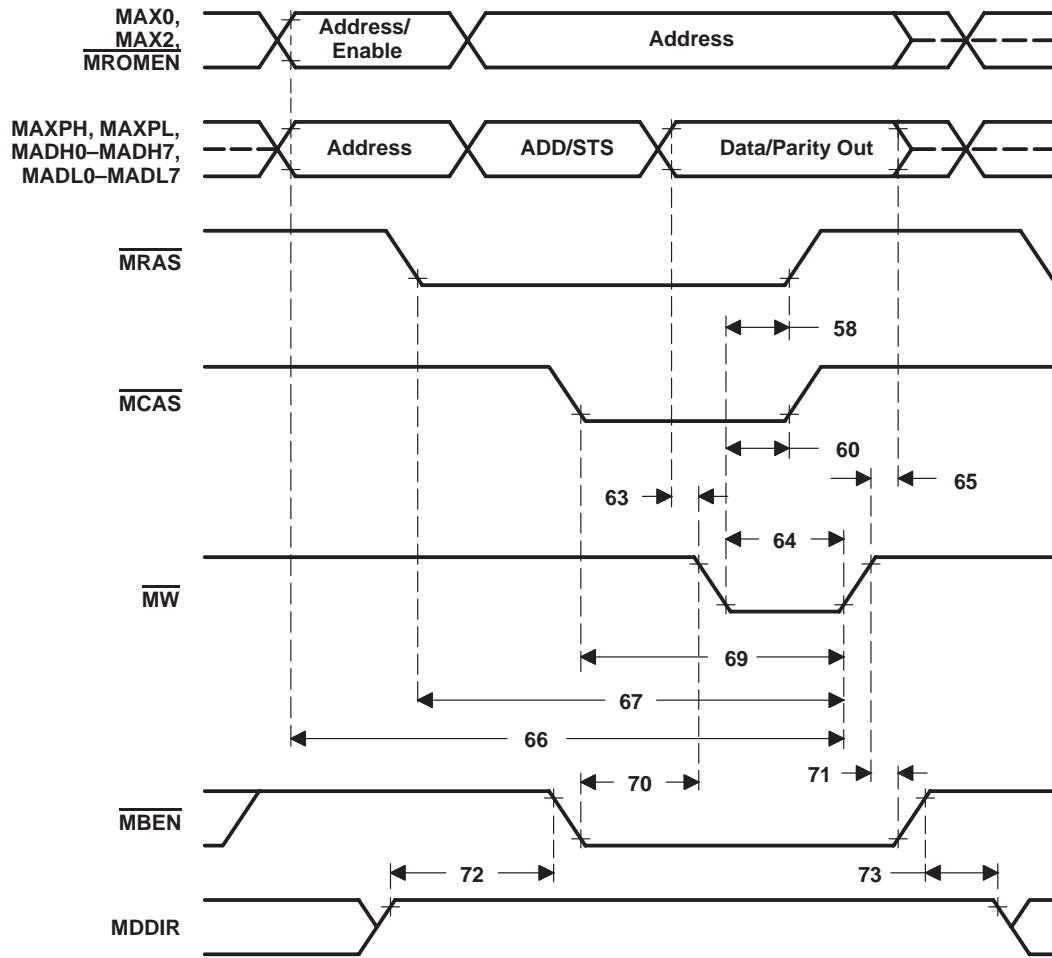


Figure 10. Memory Bus Timing: Write Cycle

PARAMETER MEASUREMENT INFORMATION

memory bus timing: TMS380C26 releases control of bus

t_M is the cycle time of one-eighth of a local memory cycle (31.25 ns minimum)

| NO. | PARAMETER | MIN | MAX | UNIT |
|-----|---|---------------|----------|------|
| 74 | Hold time of MIF output after MBCLK1 rising edge, bus release | $0.5t_M - 13$ | | ns |
| 74a | Hold time of \overline{MBEN} valid after MBCLK1 rising edge, bus release | $t_M - 13$ | | ns |
| 75 | Delay time from MBCLK1 high to MIF output high impedance, bus release | | $0.5t_M$ | ns |
| 75a | Delay time from MBCLK1 high to \overline{MBEN} output high impedance, bus release | | t_M | ns |
| 76 | Setup time of \overline{MBRQ} low before MBCLK1 falling edge, bus release | 24 | | ns |
| 77 | Hold time of \overline{MBRQ} low after MBCLK1 low, bus release | 0 | | ns |
| 78 | Setup time of \overline{MBGR} low before MBCLK1 rising edge, bus release | 29 | | ns |

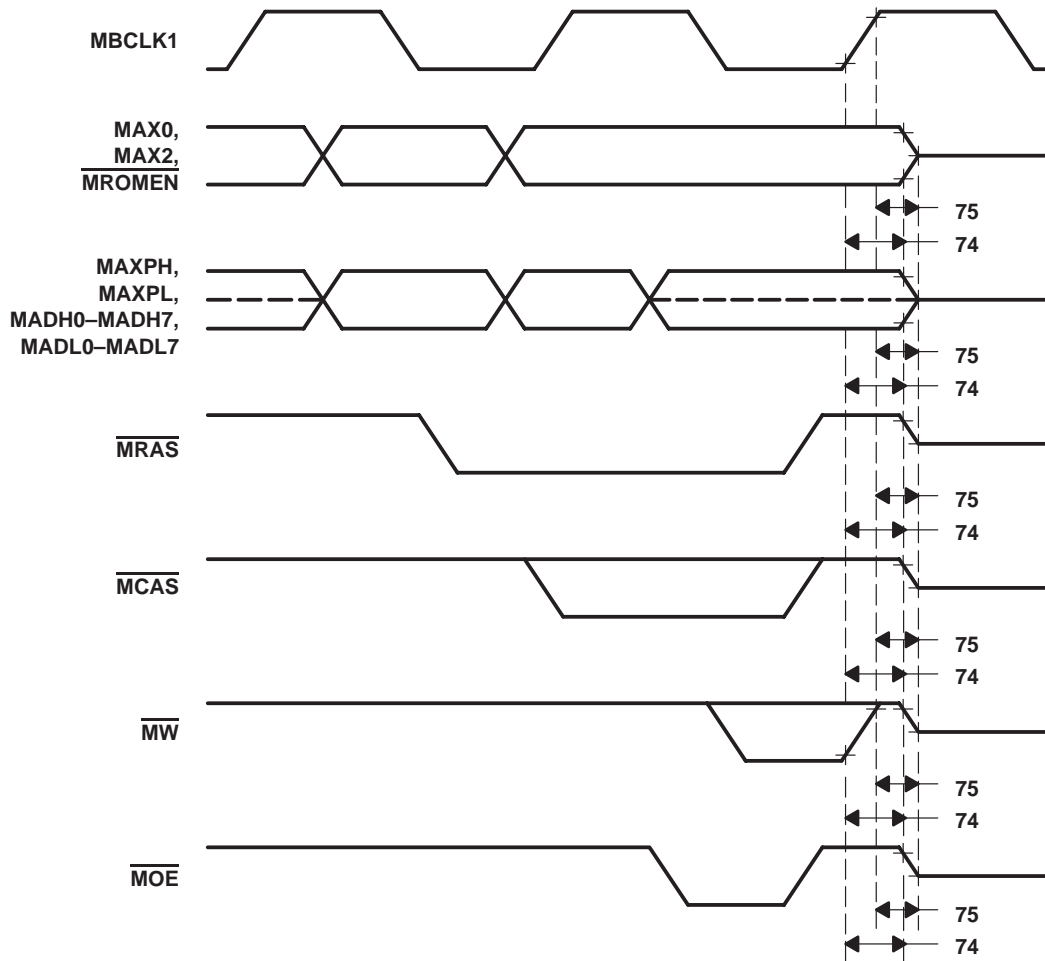


Figure 11. Memory Bus Timing: TMS380C26 Releases Control of Bus

PARAMETER MEASUREMENT INFORMATION

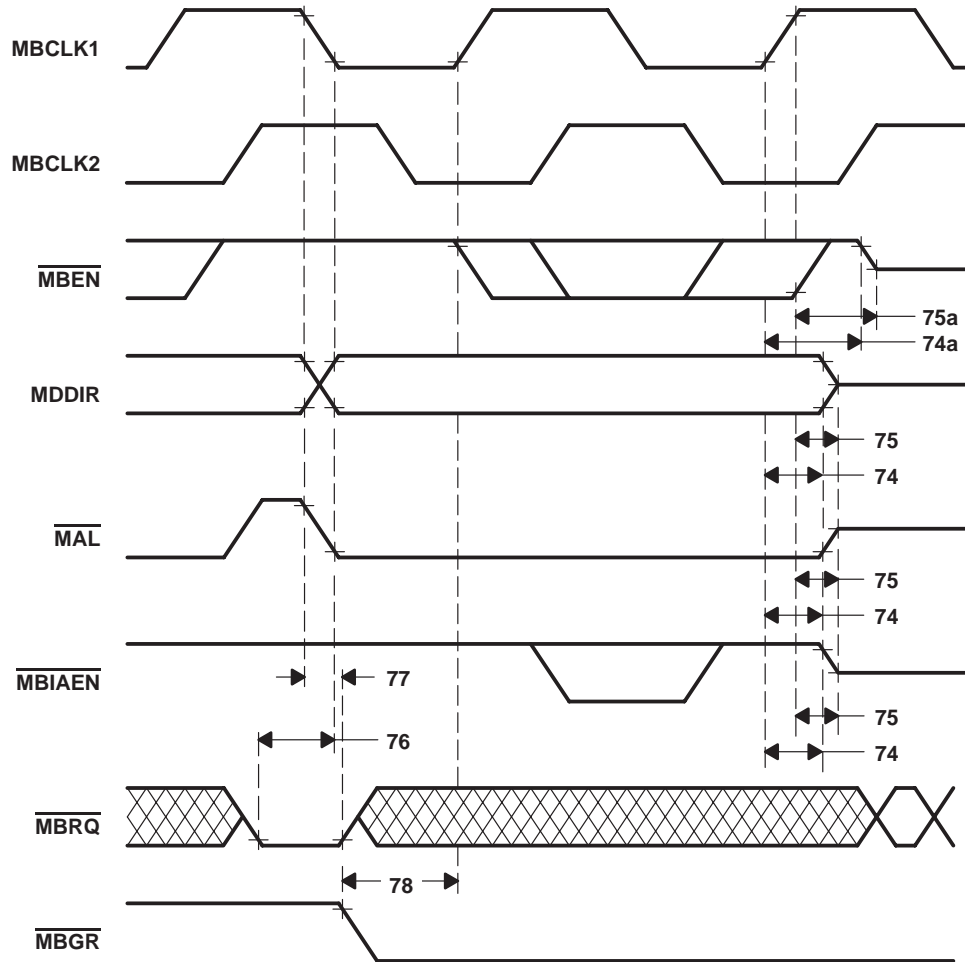


Figure 12. Memory Bus Timing: TMS380C26 Releases Control of Bus (continued)

TMS380C26 NETWORK COMMPROCESSOR

SPWS010A—APRIL 1992—REVISED MARCH 1993

PARAMETER MEASUREMENT INFORMATION

memory bus timing: TMS380C26 resumes control of bus

t_M is the cycle time of one-eighth of a local memory cycle (31.25 ns minimum)

| NO. | PARAMETER | MIN | MAX | UNIT |
|-----|---|------------|-----------|------|
| 79 | Hold time of MIF output high impedance after MBCLK1 rising edge, bus resume | $t_M - 13$ | | ns |
| 80 | Delay time from MBCLK1 high to MIF output valid, bus resume | | $t_M + 9$ | ns |
| 91 | Setup time of $\overline{\text{MBRQ}}$ valid before MBCLK1 falling edge, bus resume | 24 | | ns |
| 82 | Hold time of $\overline{\text{MBRQ}}$ valid after MBCLK1 low, bus resume | 0 | | ns |
| 83 | Setup time of $\overline{\text{MBGR}}$ high before MBCLK1 rising edge, bus resume | 29 | | ns |

PARAMETER MEASUREMENT INFORMATION

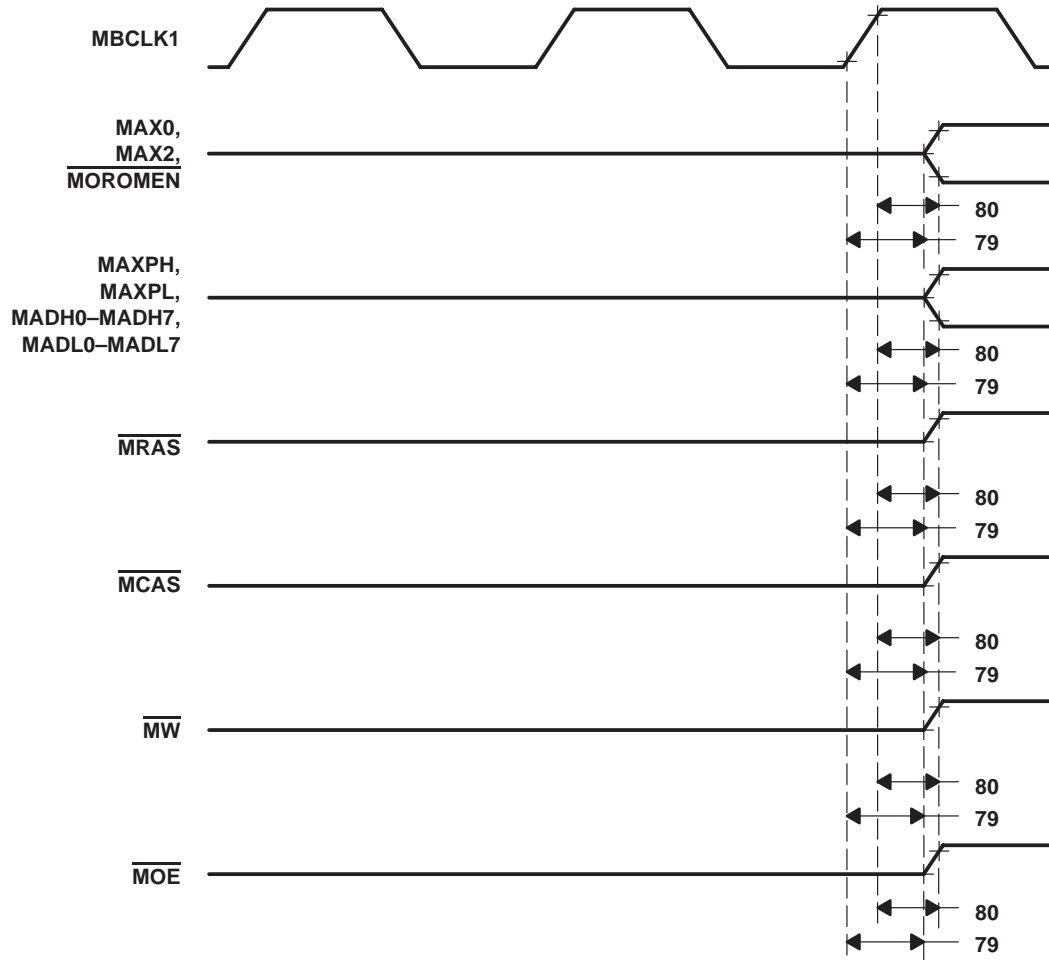


Figure 13. Memory Bus Timing: TMS380C26 Resumes Control of Bus

TMS380C26 NETWORK COMMPROCESSOR

SPWS010A—APRIL 1992—REVISED MARCH 1993

PARAMETER MEASUREMENT INFORMATION

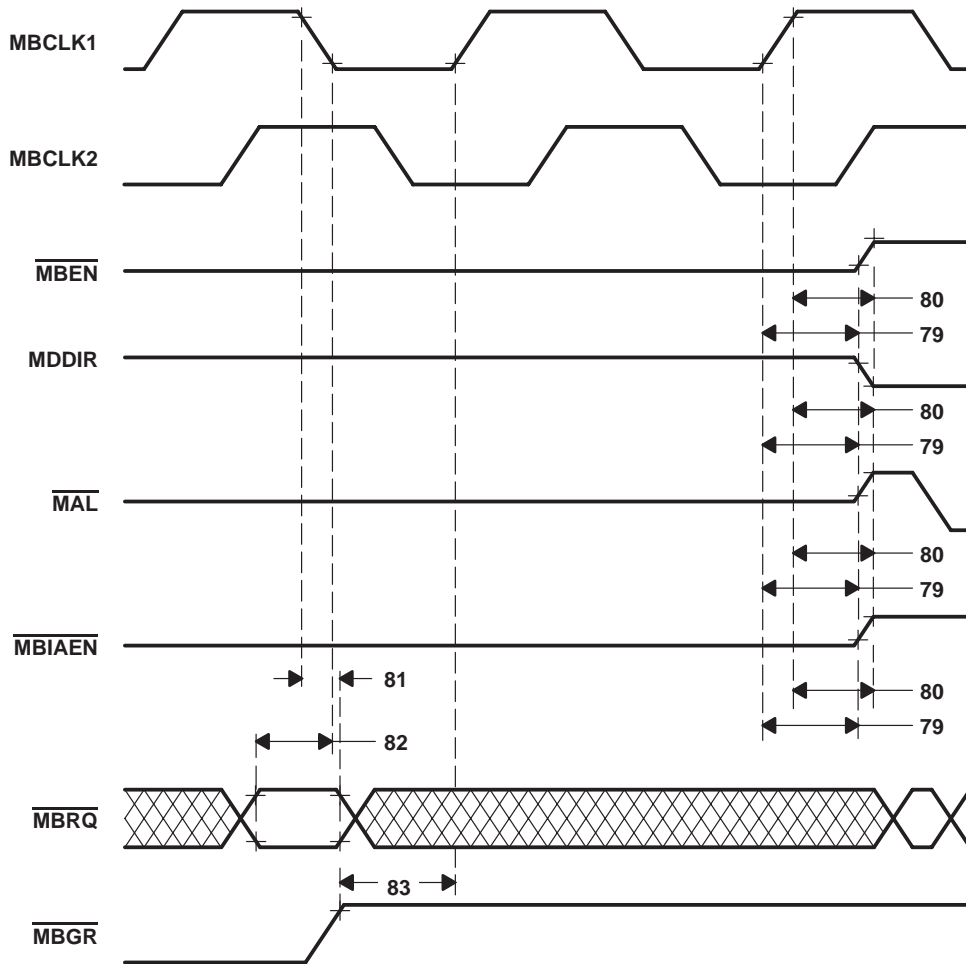


Figure 14. Memory Bus Timing: TMS380C26 Resumes Control of Bus (continued)

PARAMETER MEASUREMENT INFORMATION

memory bus timing: external bus master read from TMS380C26

t_M is the cycle time of one-eighth of a local memory cycle (31.25 ns minimum)

| NO. | PARAMETER | MIN | MAX | UNIT |
|-----|---|-----------------------|-----|------|
| 84 | Setup time of address on MAX0 and MAX2 before MBCLK1 falling edge, external bus master access | 21 | | ns |
| 85 | Hold time of address on MAX0 and MAX2 after MBCLK1 low, external bus master access | 0 | | ns |
| 86 | Setup time of valid address before MBCLK1 falling edge, external bus master access | 21 | | ns |
| 87 | Hold time of valid address after MBCLK1 low, external bus master access | 0 | | ns |
| 88 | Setup time of address high impedance before MBCLK1 falling edge, external bus master read | 0 | | ns |
| 89 | Setup time of data/parity valid before MBCLK2 falling edge, external bus master read | $1.5t_M - 17^\dagger$ | | ns |
| 90 | Hold time of valid data/parity after MBCLK2 low, external bus master read | $t_M - 13$ | | ns |
| 91 | Setup time of data/parity high impedance before MBCLK2 rising edge, external bus master read | $t_M - 9$ | | ns |
| 92 | Setup time of MDDIR low before MBCLK2 falling edge, external bus master read | 21 | | ns |
| 93 | Hold time of MDDIR low after MBCLK2 low, external bus master read | 0 | | ns |
| 94 | Setup time of $\overline{\text{MACS}}$ low before MBCLK2 falling edge, external bus master read | 21 | | ns |
| 95 | Hold time of $\overline{\text{MACS}}$ low after MBCLK2 low, external bus master read | 0 | | ns |

[†] This specification has been characterized to meet stated value.

PARAMETER MEASUREMENT INFORMATION

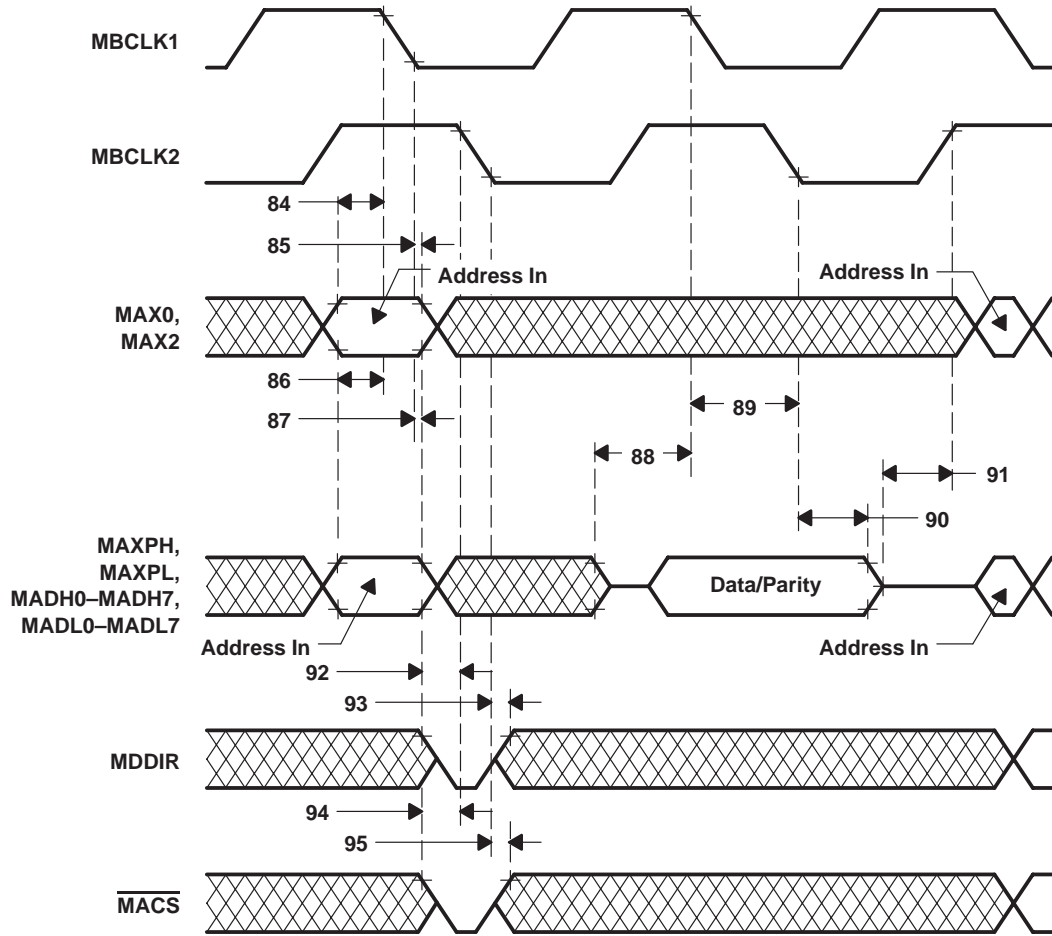


Figure 15. Memory Bus Timing: External Bus Master Read From TMS380C26

PARAMETER MEASUREMENT INFORMATION

memory bus timing: external bus master write to TMS380C26

| NO. | PARAMETER | MIN | MAX | UNIT |
|-----|---|-----|-----|------|
| 96 | Setup time of valid data/parity before MBCLK2 falling edge, external bus master write | 21 | | ns |
| 97 | Hold time of valid data/parity after MBCLK2 low, external bus master write | 0 | | ns |
| 98 | Setup time of MDDIR high before MBCLK2 falling edge, external bus master write | 21 | | ns |
| 99 | Hold time of MDDIR high after MBCLK2 low, external bus master write | 0 | | ns |

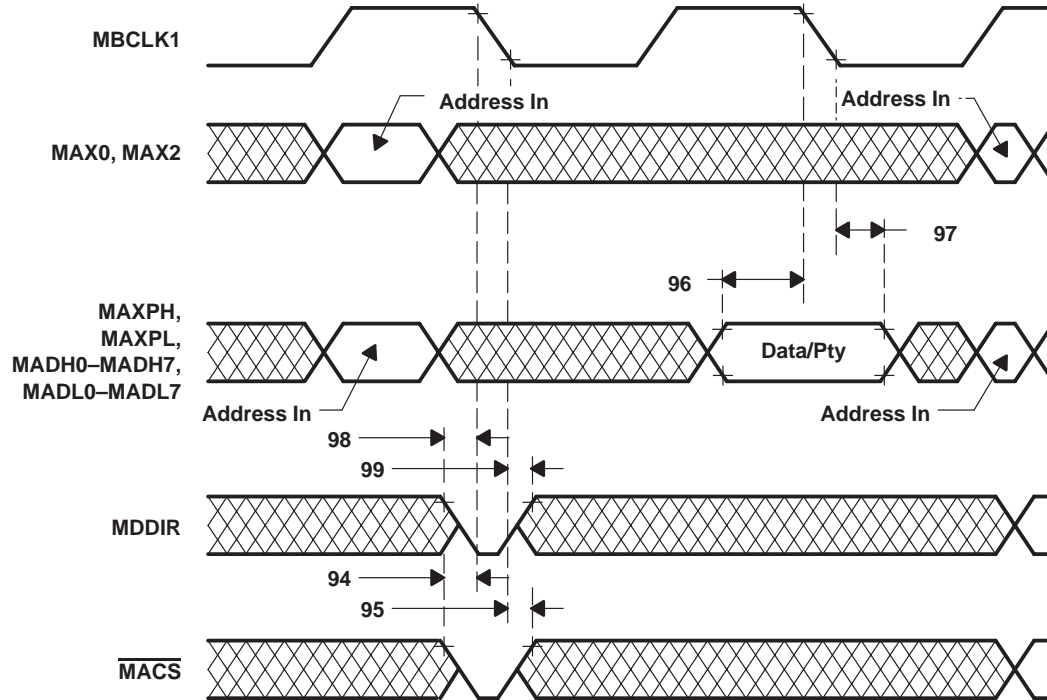


Figure 16. Memory Bus Timing: External Bus Master Write To TMS380C26

PARAMETER MEASUREMENT INFORMATION

memory bus timing: DRAM refresh timing

t_M is the cycle time of one-eighth of a local memory cycle (31.25 ns minimum)

| NO. | PARAMETER | MIN | MAX | UNIT |
|-----|--|-----------------|-----|------|
| 15 | Setup time of row address on MADL0-MADL7, MAXPH, and MAXPL before \overline{MRAS} no longer high | $1.5t_M - 11.5$ | | ns |
| 16 | Hold time of row address on MADL0-MADL7, MAXPH, and MAXPL after \overline{MRAS} no longer high | $t_M - 6.5$ | | ns |
| 18 | Pulse duration of \overline{MRAS} low | $4.5t_M - 9$ | | ns |
| 19 | Pulse duration of \overline{MRAS} high | $3.5t_M - 9$ | | ns |
| 73a | Setup time of MCAS low before \overline{MRAS} no longer high | $1.5t_M - 11.5$ | | ns |
| 73b | Hold time of MCAS low after \overline{MRAS} low | $4.5t_M - 6.5$ | | ns |
| 73c | Setup time of MREF high before MCAS no longer high | $t_M - 14$ | | ns |
| 73d | Hold time of MREF high after MCAS high | $t_M - 9$ | | ns |

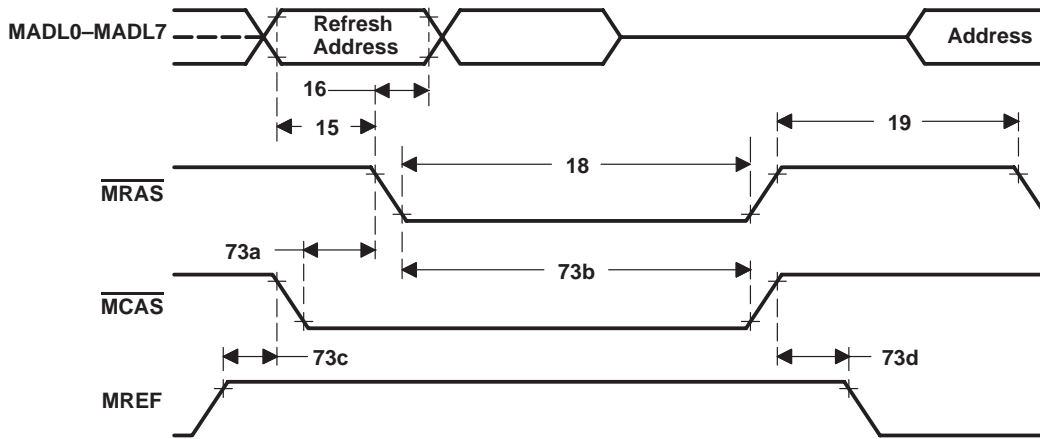


Figure 17. Memory Bus Timing: DRAM Refresh Cycle

PARAMETER MEASUREMENT INFORMATION

XMATCH and XFAIL timing

t_M is the cycle time of one-eighth of a local memory cycle (31.25 ns minimum)

| NO. | PARAMETER | MIN | MAX | UNIT |
|-----|---|--------|-----|------|
| 127 | Delay from status bit 7 high to XMATCH and XFAIL recognized | $7t_M$ | | ns |
| 128 | Pulse duration of XMATCH or XFAIL high | 50 | | ns |

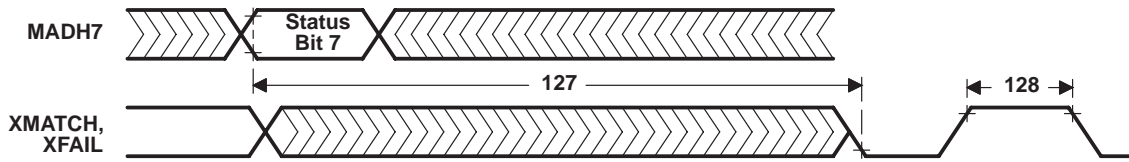


Figure 18. XMATCH and XFAIL Timing

PARAMETER MEASUREMENT INFORMATION

token ring — ring interface timing

| No. | PARAMETER | MIN | TYP | MAX | UNIT |
|------|---|----------------------------|-------|--------|------|
| 153 | Period of RCLK (see Note 14) | 4Mbps | 125 | | ns |
| | | 16 Mbps | 31.25 | | ns |
| 154L | Pulse duration of RCLK low | 4 Mbps nominal: 62.5 ns | 46 | | ns |
| | | 16 Mbps nominal: 15.625 ns | 15 | | ns |
| 154H | Pulse duration of RCLK high | 4 Mbps nominal: 62.5 ns | 35 | | ns |
| | | 16 Mbps nominal: 15.625 ns | 8 | | ns |
| 155 | Setup of RCVR valid before rising edge (1.8 V) of RCLK at 16 Mbps | 10 | | | ns |
| 156 | Hold of RCVR valid after rising edge (1.8 V) of RCLK at 16 Mbps | 4 | | | ns |
| 158L | Pulse duration of ring baud clock low | 4 Mbps | 40 | | ns |
| | | 16 Mbps | 15 | | ns |
| 158H | Pulse duration of ring baud clock high | 4 Mbps | 40 | | ns |
| | | 16 Mbps | 8 | | ns |
| 165 | Period of OSCOUT and PXTALIN (see Note 14) | 4 Mbps | 125 | | ns |
| | | 16 Mbps (for PXTALIN only) | 31.25 | | ns |
| 166 | Tolerance of PXTALIN input frequency (see Note 14) | | | ± 0.01 | % |

NOTE 14: This parameter is not tested but is required by the IEEE 802.5 specification.

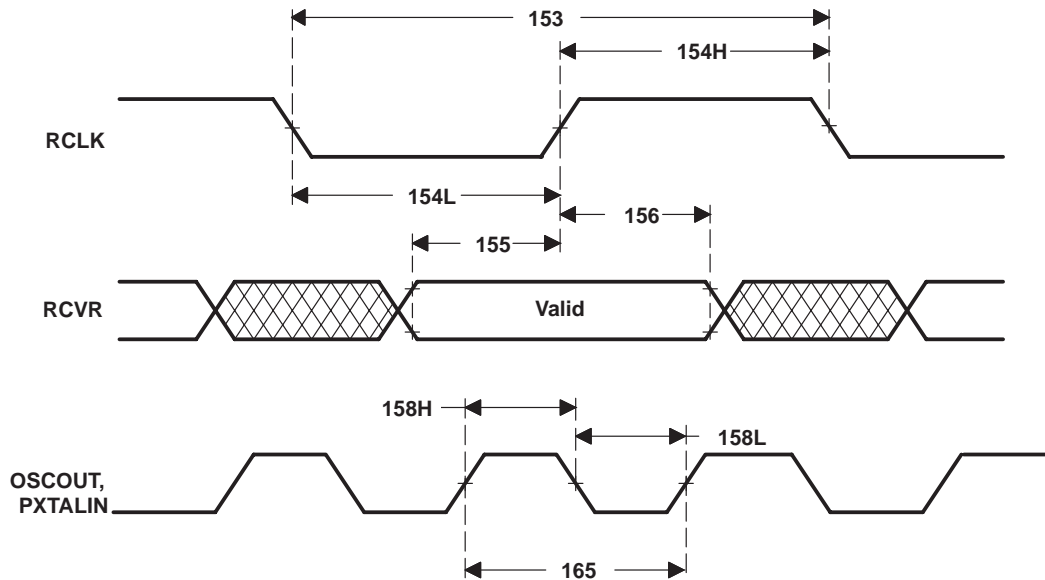


Figure 19. Token Ring — Ring Interface Timing

PARAMETER MEASUREMENT INFORMATION

token ring — transmitter timing (see Figure 20)

| NO. | PARAMETER | MIN | TYP | MAX | UNIT |
|------|--|-----|---------------|------|------|
| 159 | Delay from DRVR rising edge (1.8 V) to $\overline{\text{DRVR}}$ falling edge (1.0 V) or DRVR falling edge (1.0 V) to $\overline{\text{DRVR}}$ rising edge (1.8 V) | | | ±2 | ns |
| 160† | Delay from RCLK (or PXTALIN) falling edge (1.0 V) to DRVR rising edge (1.8 V) | | (see Note 15) | | |
| 161† | Delay from RCLK (or PXTALIN) falling edge (1.0 V) to DRVR falling edge (1.0 V) | | (see Note 15) | | |
| 162† | Delay from RCLK (or PXTALIN) falling edge (1.0 V) to $\overline{\text{DRVR}}$ falling edge (1.0 V) | | (see Note 15) | | |
| 163† | Delay from RCLK (or PXTALIN) falling edge (1.0 V) to $\overline{\text{DRVR}}$ rising edge (1.8 V) | | (see Note 15) | | |
| 164 | DRVR/ $\overline{\text{DRVR}}$ Asymmetry $\frac{t_{d(\text{DR})\text{L}} + t_{d(\text{CRN})\text{H}}}{2} - \frac{t_{d(\text{DR})\text{H}} + t_{d(\text{DRN})\text{L}}}{2}$ | | | ±1.5 | ns |

† When in active-monitor mode, the clock source is PXTALIN; otherwise, the clock-source is either RCLK or PXTALIN.

NOTE 15: This parameter is not tested to a minimum or a maximum but is measured and used as a component required for parameter 164.

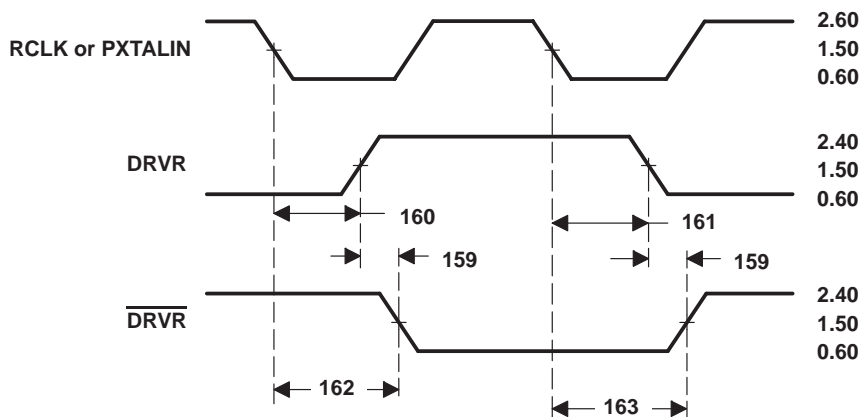


Figure 20. Skew and Asymmetry from RCLK or PXTALIN to DRVR and $\overline{\text{DRVR}}$

TMS380C26 NETWORK COMMPROCESSOR

SPWS010A—APRIL 1992—REVISED MARCH 1993

PARAMETER MEASUREMENT INFORMATION

ethernet timing of clock signals

| NO. | PARAMETER | MIN | TYP | MAX | UNIT |
|-----|------------------------------|-----|-----|------|------|
| 300 | CLKPHS Pulse duration of TXC | 45 | | | ns |
| 301 | CLKPER Cycle time of TXC | 95 | | 1000 | ns |

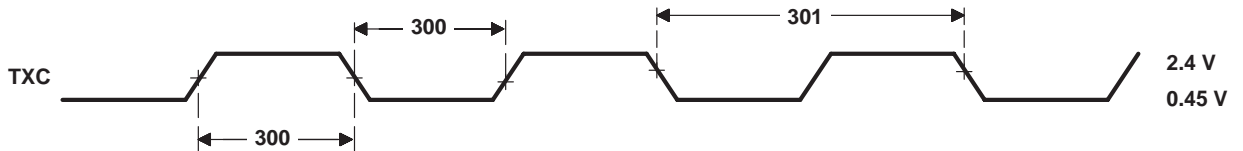


Figure 21. Ethernet Timing Of Clock Signals

ethernet timing of XMIT signals

| NO. | PARAMETER | MIN | TYP | MAX | UNIT |
|-----|---|-----|-----|-----|------|
| 305 | t _{XDHLD} Hold time of TXD after TXC high | 5 | | | ns |
| 306 | t _{XDVLD} Delay time from TXC high to TXD valid and Delay time from TXC high to TXEN high | | | 40 | ns |

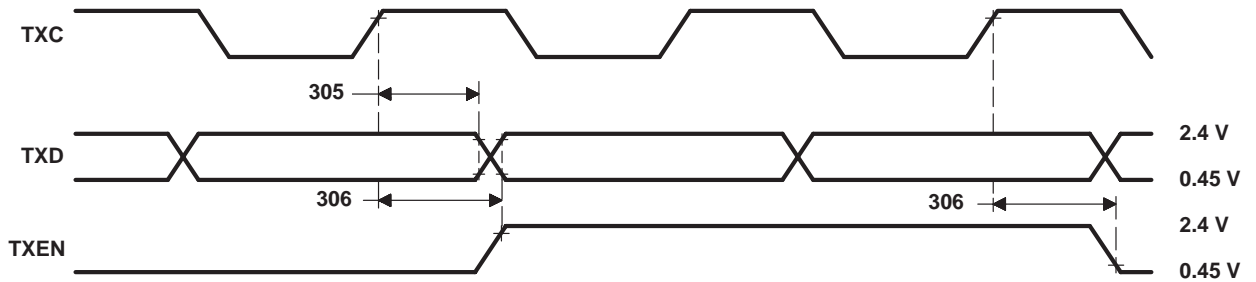


Figure 22. Ethernet Timing of XMIT Signals

PARAMETER MEASUREMENT INFORMATION

ethernet timing of RCV signals — start of frame

| NO. | PARAMETER | MIN | TYP | MAX | UNIT |
|-----|--|----------------------|-----|-----|------|
| 310 | RXDSET Setup of RXD before RXC no longer low | 20 | | | ns |
| 311 | RXDHLD Hold of RXD after RXC high | 5 | | | ns |
| 312 | CRSSET Setup of CRS high before RXC no longer low for first valid data sample | 20 | | | ns |
| 313 | SAMDLY Delay of CRS internally recognized to first valid data sample (see Notes 16 and 17) | nominal 3 clk cycles | | | |
| 314 | RXCHI Pulse duration of RXC high | 36 | | | ns |
| 315 | RXCL0 Pulse duration of RXC low | 36 | | | ns |

- NOTES: 16. For valid frame synchronization one of the following data sequences must be received. Any other pattern will delay frame synchronization until after the next CRS rising edge.
- a) $0n(10) \quad 11$ where n is an integer and n is greater than or equal to 3
 - b) $10n(10) \quad 11$
17. If a previous frame or frame fragment completed without extra RXC clock cycles ($XTRCVC = 0$), then $SAMDLY = 2$ clock cycles.

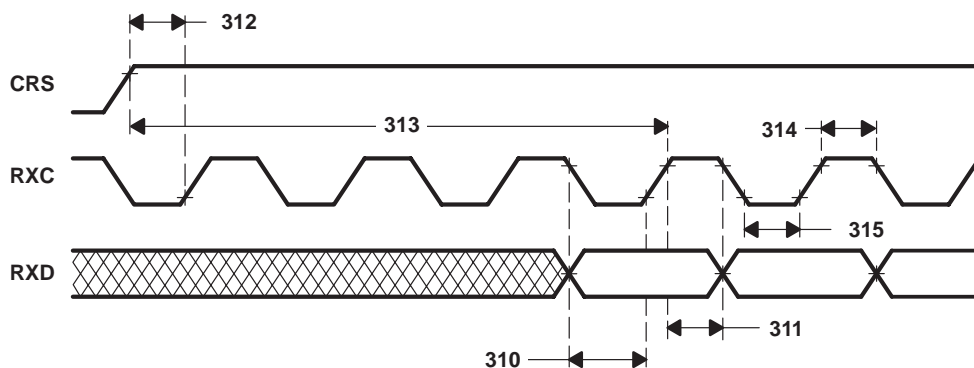


Figure 23. Ethernet Timing of RCV Signals — Start Of Frame

PARAMETER MEASUREMENT INFORMATION

ethernet timing of RCV signals — end of frame

| NO. | PARAMETER | MIN | TYP | MAX | UNIT |
|-----|--|-----|-----|-----|-------|
| 320 | CRSSET Setup time of CRS low before RXC no longer low to determine if last data bit "seen" on previous RXC no longer low (see Note 18) | 20 | | | ns |
| 321 | CRSHLD Hold time of CRS low after RXC no longer low, to determine if last data bit "seen" on previous RXC no longer low | 0 | | | ns |
| 322 | XTRCYC Number of extra RXC clock cycles after last data bit (CRS pin is low) (see Note 18) | 0 | 5 | | cycle |

NOTE 18: TMS380C26 will operate correctly even with no extra RXC clock cycles, providing that CRS does not remain asserted longer than 2 μ s (see timing spec, NDRXC). Providing no extra clocks affect receive startup timing, see timing spec, SAMDLY.

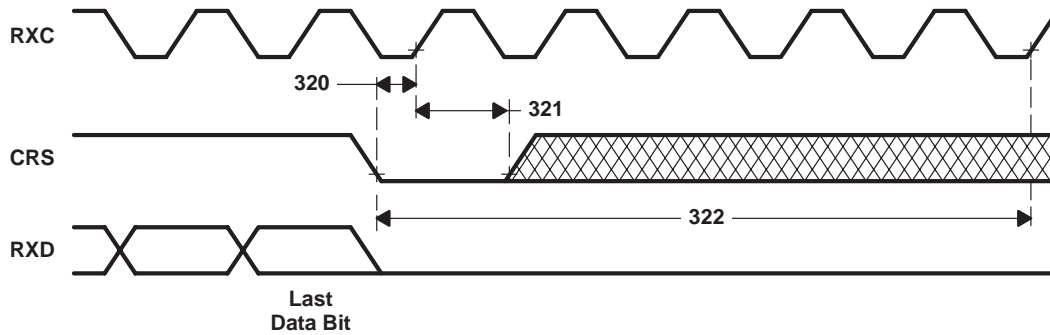


Figure 24. Ethernet Timing of RCV Signals — End Of Frame

PARAMETER MEASUREMENT INFORMATION

ethernet timing of RCV signals — no RXC

| NO. | PARAMETER | MIN | TYP | MAX | UNIT |
|-----|---|-----|-----|-----|------|
| 330 | NORXC Time with no clock pulse on RXC, when CRS is high (see Note 19) | | | 2 | μs |

NOTE 19: If NORXC is exceeded local clock failure circuitry may become activated, resetting the device.

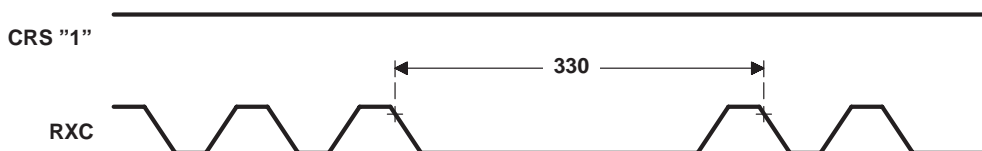


Figure 25. Ethernet Timing of RCV Signals — No RXC

ethernet timing of XMIT signals

| NO. | PARAMETER | MIN | TYP | MAX | UNIT |
|-----|--|-----------------|-----|-----|--------|
| 340 | HBWIN Delay time from TXC high of the last transmitted data bit (TXEN is high) to COLL sampled high, so not to generate a "heart-beat" error | | | 47 | cycles |
| 341 | COLPUL Minimum pulse duration of COLL high for guaranteed sample | 20 ns + 1 cycle | | | ns |
| 342 | COLSET Setup of COLL high to TXC high | 20 | | | ns |

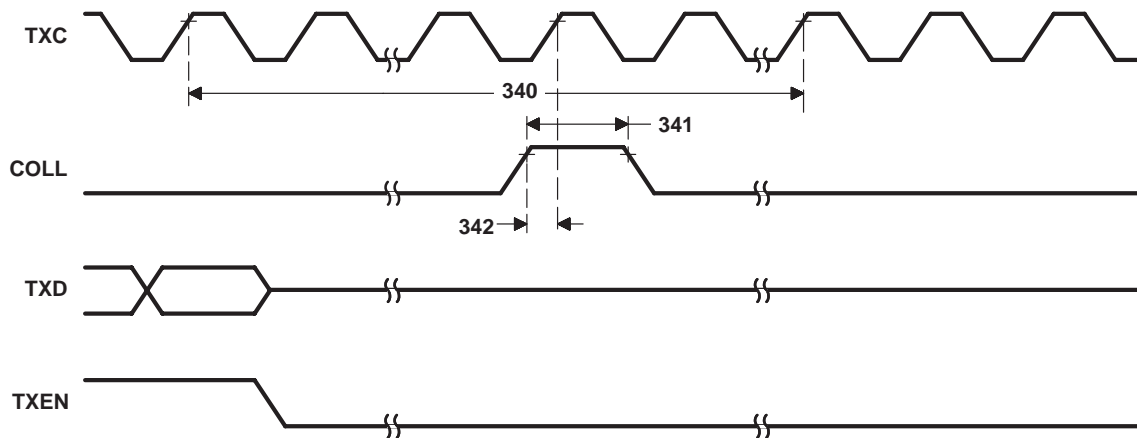


Figure 26. Ethernet Timing of XMIT Signals

TMS380C26 NETWORK COMMPROCESSOR

SPWS010A—APRIL 1992—REVISED MARCH 1993

PARAMETER MEASUREMENT INFORMATION

ethernet timing of XMIT signals

| NO. | PARAMETER | MIN | TYP | MAX | UNIT |
|-----|---|-----------------|-----|-----|--------|
| 350 | JAMTIM Time from COLL sampled high (TXC high) to first transmitted "JAM" bit on TXD (see Note 20) | | | 4 | cycles |
| 351 | COLSET Setup of COLL high before TXC high | 20 | | | ns |
| 352 | COLPUL Minimum pulse duration of COLL high for guaranteed sample | 20 ns + 1 cycle | | | ns |

NOTE 20: The JAM pattern is delayed until after the completion of the preamble pattern. The TMS380C26 transmits a JAM pattern of all "1"s.

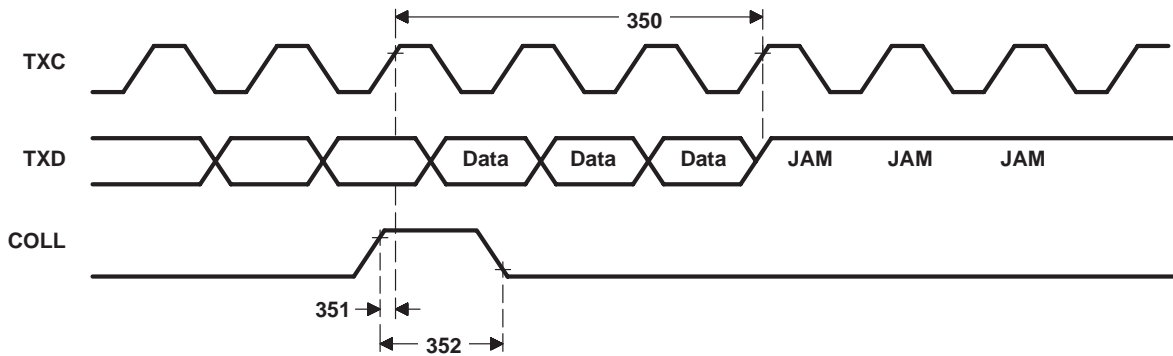


Figure 27. Ethernet Timing of XMIT Signals

PARAMETER MEASUREMENT INFORMATION

80x8x DIO read timing

| NO. | PARAMETER | MIN | MAX | UNIT |
|------|---|-----|-----|------|
| 255 | Delay from $\overline{\text{SRDY}}$ low to either $\overline{\text{SCS}}$ or $\overline{\text{SRD}}$ high | 15 | | ns |
| 256 | Pulse duration, SRAS high | 30 | | ns |
| 259† | Hold of SAD high-impedance after $\overline{\text{SRD}}$ low (see Note 21) | 0 | | ns |
| 260 | Setup of SADH0–SADH7, SADL0–SADL7, SPH and SPL valid before $\overline{\text{SRDY}}$ low | 0 | | ns |
| 261† | Delay from $\overline{\text{SRD}}$ or $\overline{\text{SCS}}$ high to SAD high-impedance (see Note 21) | | 35 | ns |
| 261a | Hold of output data valid after $\overline{\text{SRD}}$ or $\overline{\text{SCS}}$ high (see Note 21) | 0 | | ns |
| 264 | Setup of SRSX, SRS0–SRS2, $\overline{\text{SCS}}$, and $\overline{\text{SBHE}}$ valid to SRAS no longer high (see Note 22) | 30 | | ns |
| 265 | Hold of SRSX, SRS0–SRS2, $\overline{\text{SCS}}$, and $\overline{\text{SBHE}}$ valid after SRAS low | 15 | | ns |
| 266a | Setup of SRAS high to $\overline{\text{SRD}}$ no longer high (see Note 22) | 25 | | ns |
| 267‡ | Setup of SRSX, SRS0–SRS2 valid before $\overline{\text{SRD}}$ no longer high (see Note 21) | 15 | | ns |
| 268 | Hold of SRSX, SRS0–SRS2 valid after $\overline{\text{SRD}}$ no longer low (see Note 22) | 0 | | ns |
| 272a | Setup time of $\overline{\text{SRD}}$, $\overline{\text{SWR}}$, and $\overline{\text{SIACK}}$ high from previous cycle to $\overline{\text{SRD}}$ no longer high | 55 | | ns |
| 273a | Hold time of $\overline{\text{SRD}}$, $\overline{\text{SWR}}$, and $\overline{\text{SIACK}}$ high after $\overline{\text{SRD}}$ high | 55 | | ns |
| 275 | Delay from $\overline{\text{SRD}}$ and $\overline{\text{SWR}}$, or $\overline{\text{SCS}}$ high to $\overline{\text{SRDY}}$ high (see Note 21) | | 35 | ns |
| 279† | Delay from $\overline{\text{SRD}}$ and $\overline{\text{SWR}}$, high to $\overline{\text{SRDY}}$ high impedance | | 65 | ns |
| 282a | Delay from $\overline{\text{SDBEN}}$ low to $\overline{\text{SRDY}}$ low in a read cycle | | 35 | ns |
| 282R | Delay from $\overline{\text{SRD}}$ low to $\overline{\text{SDBEN}}$ low (see <i>TMS380 Second Generation Token-Ring User's Guide, SPWU005</i> , subsection 3.4.1.1.1), provided previous cycle completed. | | 55 | ns |
| 283R | Delay from $\overline{\text{SRD}}$ high to $\overline{\text{SDBEN}}$ high (see Note 21) | | 35 | ns |
| 286 | Pulse duration, $\overline{\text{SRD}}$ high between DIO accesses (see Note 21) | 55 | | ns |

† This specification is provided as an aid to board design.

‡ It is the later of SRD and SWR or SCS low that indicates the start of the cycle.

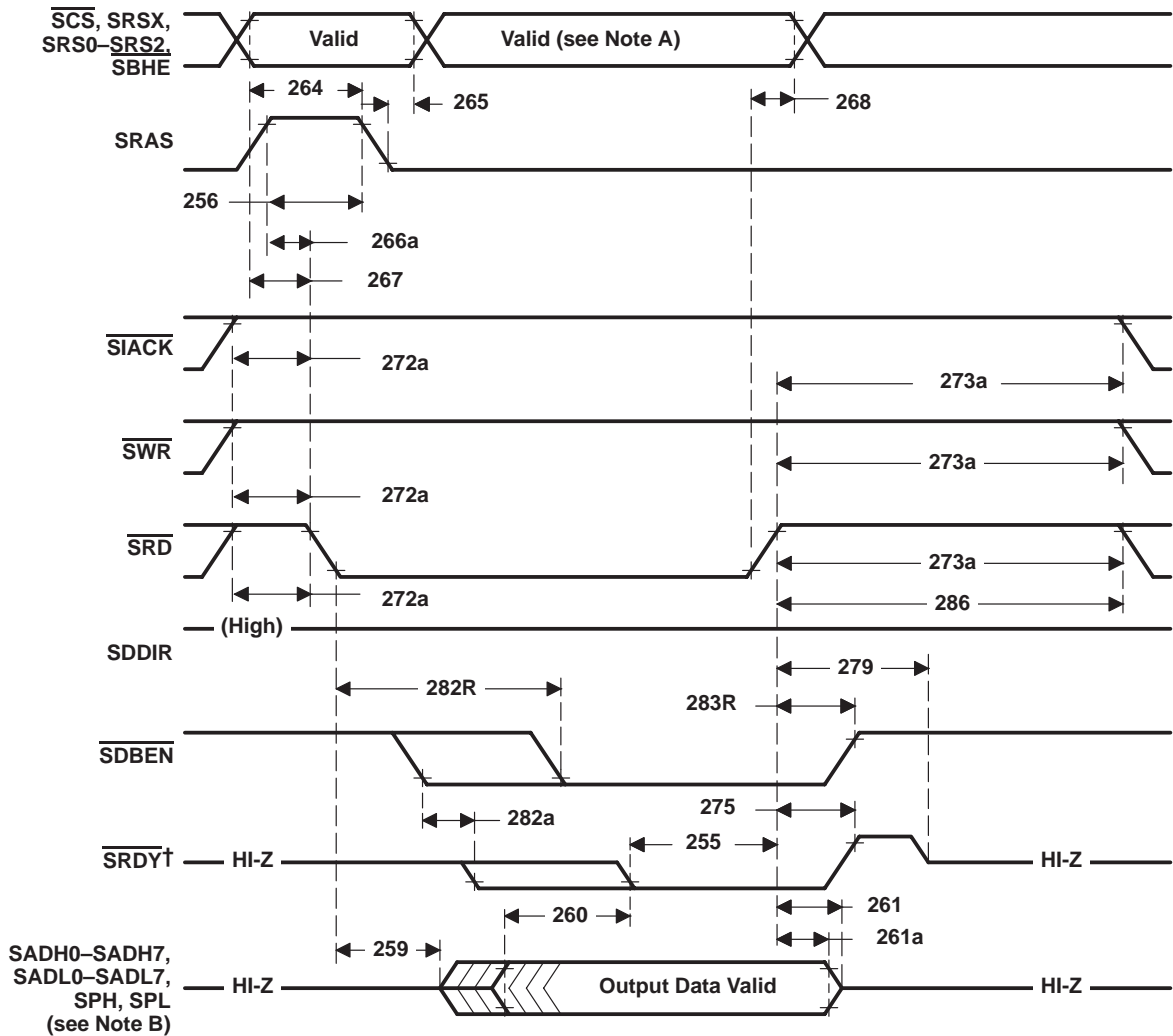
NOTES: 21. The "inactive" chip select is $\overline{\text{SIACK}}$ in DIO read and DIO write cycles, and $\overline{\text{SCS}}$ is the "inactive" chip select in interrupt acknowledge cycles.

22. In 80x8x mode, SRAS may be used to strobe the values of $\overline{\text{SBHE}}$, SRSX, SRS0 – SRS2, and $\overline{\text{SCS}}$. When used to do so, SRAS must meet parameter 266a, and $\overline{\text{SBHE}}$, SRS0–SRS2, and $\overline{\text{SCS}}$ must meet parameter 264. If SRAS is strapped high, then parameters 266a and 264 are irrelevant, and parameter 268 must be met.

TMS380C26 NETWORK COMMPROCESSOR

SPWS010A—APRIL 1992—REVISED MARCH 1993

PARAMETER MEASUREMENT INFORMATION



† When the TMS380C26 begins to drive $\overline{\text{SDBEN}}$ inactive, it has already latched the write data internally. Parameter 263 must be met to the input of the data buffers.

NOTES: A. In 80x8x mode, SRAS may be used to strobe the values of $\overline{\text{SBHE}}$, SRSX, SRS0-SRS2, and $\overline{\text{SCS}}$. When used to do so, SRAS must meet parameter 266a, and $\overline{\text{SBHE}}$, SRS0-SRS2, and $\overline{\text{SCS}}$ must meet parameter 264. If SRAS is strapped high, then parameters 266a and 264 are irrelevant, and parameter 268 must be met.

B. In 8-bit 80x8x mode DIO reads, the SADH0-SADH7 contain don't care data.

Figure 28. 80x8x DIO Read Timing

PARAMETER MEASUREMENT INFORMATION

80x8x DIO write timing

| NO. | PARAMETER | MIN | MAX | UNIT | |
|------|--|---|-----|------|----|
| 255 | Delay from $\overline{\text{SRDY}}$ low to either $\overline{\text{SCS}}$ or $\overline{\text{SWR}}$ high | 15 | | ns | |
| 256 | Pulse duration, SRAS high | 30 | | ns | |
| 262 | Setup of $\overline{\text{SADH0}}\text{--}\overline{\text{SADH7}}$, $\overline{\text{SADL0}}\text{--}\overline{\text{SADL7}}$, $\overline{\text{SPH}}$, and $\overline{\text{SPL}}$ valid before $\overline{\text{SCS}}$ or $\overline{\text{SWR}}$ no longer low | 25 | | ns | |
| 263 | Hold of $\overline{\text{SADH0}}\text{--}\overline{\text{SADH7}}$, $\overline{\text{SADL0}}\text{--}\overline{\text{SADL7}}$, $\overline{\text{SPH}}$, and $\overline{\text{SPL}}$ valid after $\overline{\text{SCS}}$ or $\overline{\text{SWR}}$ high | 25 | | ns | |
| 264 | Setup of $\overline{\text{SRSX}}$, $\overline{\text{SRS0}}\text{--}\overline{\text{SRS2}}$, $\overline{\text{SCS}}$, and $\overline{\text{SBHE}}$ to SRAS no longer high (see Note 21) | 30 | | ns | |
| 265 | Hold of $\overline{\text{SRSX}}$, $\overline{\text{SRS0}}\text{--}\overline{\text{SRS2}}$, $\overline{\text{SCS}}$, and $\overline{\text{SBHE}}$ after SRAS low | 15 | | ns | |
| 266a | Setup of SRAS high to $\overline{\text{SWR}}$ no longer high (see Note 22) | 25 | | ns | |
| 267† | Setup of $\overline{\text{SRSX}}$, $\overline{\text{SRS0}}\text{--}\overline{\text{SRS2}}$ before $\overline{\text{SWR}}$ no longer high (see Note 21) | 15 | | ns | |
| 268 | Hold of $\overline{\text{SRSX}}$, $\overline{\text{SRS0}}\text{--}\overline{\text{SRS2}}$ valid after $\overline{\text{SWR}}$ no longer low (see Note 22) | 0 | | ns | |
| 272a | Setup time of $\overline{\text{SRD}}$, $\overline{\text{SWR}}$, and $\overline{\text{SIACK}}$ high from previous cycle to $\overline{\text{SWR}}$ no longer high | 55 | | ns | |
| 273a | Hold time of $\overline{\text{SRD}}$, $\overline{\text{SWR}}$, and $\overline{\text{SIACK}}$ high after $\overline{\text{SWR}}$ high | 55 | | ns | |
| 276‡ | Delay from $\overline{\text{SRDY}}$ low in the first DIO access to the SIF register to $\overline{\text{SRDY}}$ low in the immediately following access to the SIF (see <i>TMS380 Second-Generation Token Ring User's Guide</i> , SPWU005, subsection 3.4.1.1.1) | | | | |
| 275 | Delay from $\overline{\text{SWR}}$ or $\overline{\text{SCS}}$ high to $\overline{\text{SRDY}}$ high (see Note 21) | | 35 | ns | |
| 279§ | Delay from $\overline{\text{SWR}}$ high to $\overline{\text{SRDY}}$ high impedance | | 65 | ns | |
| 280 | Delay from $\overline{\text{SWR}}$ low to $\overline{\text{SDDIR}}$ low (see Note 21) | | 25 | ns | |
| 281 | Delay from $\overline{\text{SWR}}$ high to $\overline{\text{SDDIR}}$ high (see note 21) | | 55 | ns | |
| 281a | Hold of $\overline{\text{SDDIR}}$ low after $\overline{\text{SWR}}$ no longer active (see Note 21) | 0 | | ns | |
| 282b | Delay from $\overline{\text{SDBEN}}$ low to $\overline{\text{SRDY}}$ low (see <i>TMS380 Second Generation Token-Ring User's Guide</i> , SPWU005, subsection 3.4.1.1.1) | If SIF register is ready (no waiting required) | 0 | 35 | ns |
| | | If SIF register is not ready (waiting required) | 0 | 4000 | |
| 282W | Delay from $\overline{\text{SDDIR}}$ low to $\overline{\text{SDBEN}}$ low | | 25 | ns | |
| 283W | Delay from $\overline{\text{SCS}}$ or $\overline{\text{SWR}}$ high to $\overline{\text{SDBEN}}$ no longer low | | 25 | ns | |
| 286 | Pulse duration $\overline{\text{SWR}}$ high between DIO accesses (see Note 21) | 55 | | ns | |

† It is the later of $\overline{\text{SRD}}$ and $\overline{\text{SWR}}$ or $\overline{\text{SCS}}$ low that indicates the start of the cycle.

‡ This specification has been characterized to meet stated value.

§ This specification is provided as an aid to board design.

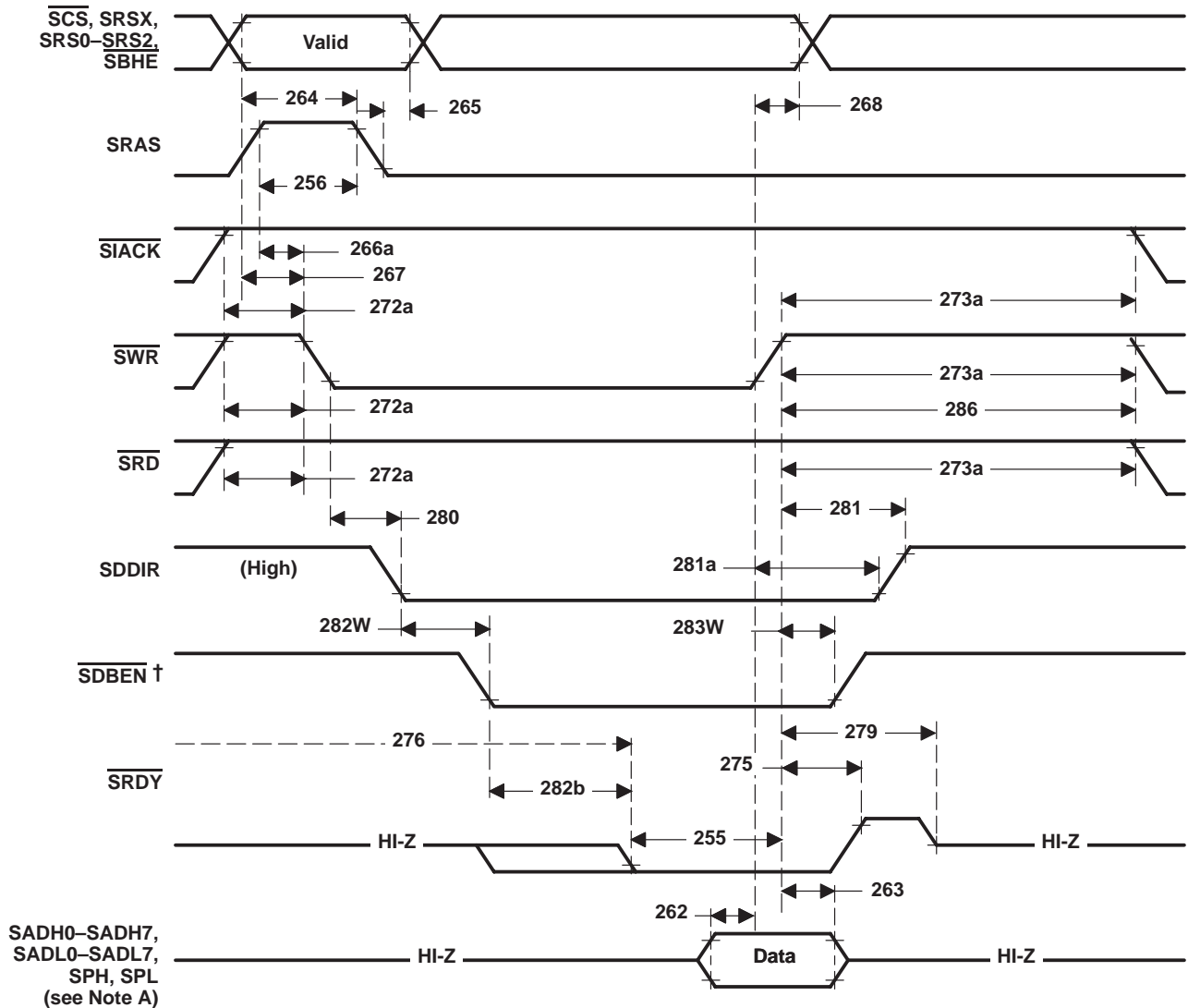
NOTES: 21. The "inactive" chip select is $\overline{\text{SIACK}}$ in DIO read and DIO write cycles, and $\overline{\text{SCS}}$ is the "inactive" chip select in interrupt acknowledge cycles.

22. In 80x8x mode, SRAS may be used to strobe the values of $\overline{\text{SBHE}}$, $\overline{\text{SRSX}}$, $\overline{\text{SRS0}}\text{--}\overline{\text{SRS2}}$, and $\overline{\text{SCS}}$. When used to do so, SRAS must meet parameter 266a, and $\overline{\text{SBHE}}$, $\overline{\text{SRS0}}\text{--}\overline{\text{SRS2}}$, and $\overline{\text{SCS}}$ must meet parameter 264. If SRAS is strapped high, then parameters 266a and 264 are irrelevant, and parameter 268 must be met.

TMS380C26 NETWORK COMMPROCESSOR

SPWS010A—APRIL 1992—REVISED MARCH 1993

PARAMETER MEASUREMENT INFORMATION



† When the TMS380C26 begins to drive $\overline{\text{SDBEN}}$ inactive, it has already latched the write data internally. Parameter 263 must be met to the input of the data buffers.

NOTE A: In 8-bit 80x8x mode DIO writes, the value placed on SADH0-SADH7 is a don't care.

Figure 29. 80x8x DIO Write Timing

PARAMETER MEASUREMENT INFORMATION

80x8x interrupt acknowledge timing – first $\overline{\text{SIACK}}$ pulse

| NO. | PARAMETER | MIN | MAX | UNIT |
|-----|---|------|-----|------|
| 286 | Pulse duration, $\overline{\text{SIACK}}$ high between DIO accesses (see Note 21) | 55 | | ns |
| 287 | Pulse duration, $\overline{\text{SIACK}}$ low on first pulse of two pulses | 62.5 | | ns |

NOTE 21: The "inactive" chip select is $\overline{\text{SIACK}}$ in DIO read and DIO write cycles, and $\overline{\text{SCS}}$ is the "inactive" chip select in interrupt acknowledge cycles.

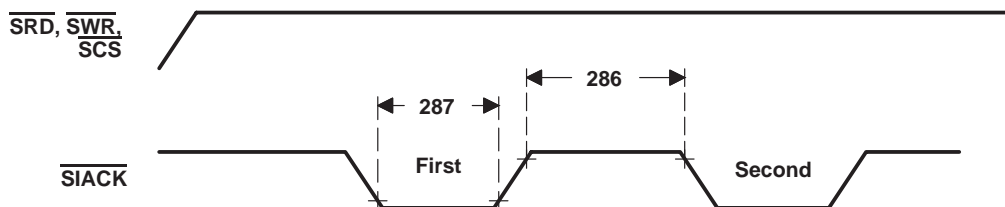


Figure 30. 80x8x Interrupt Acknowledge Timing – First $\overline{\text{SIACK}}$ Pulse

80x8x interrupt acknowledge timing – second $\overline{\text{SIACK}}$ pulse

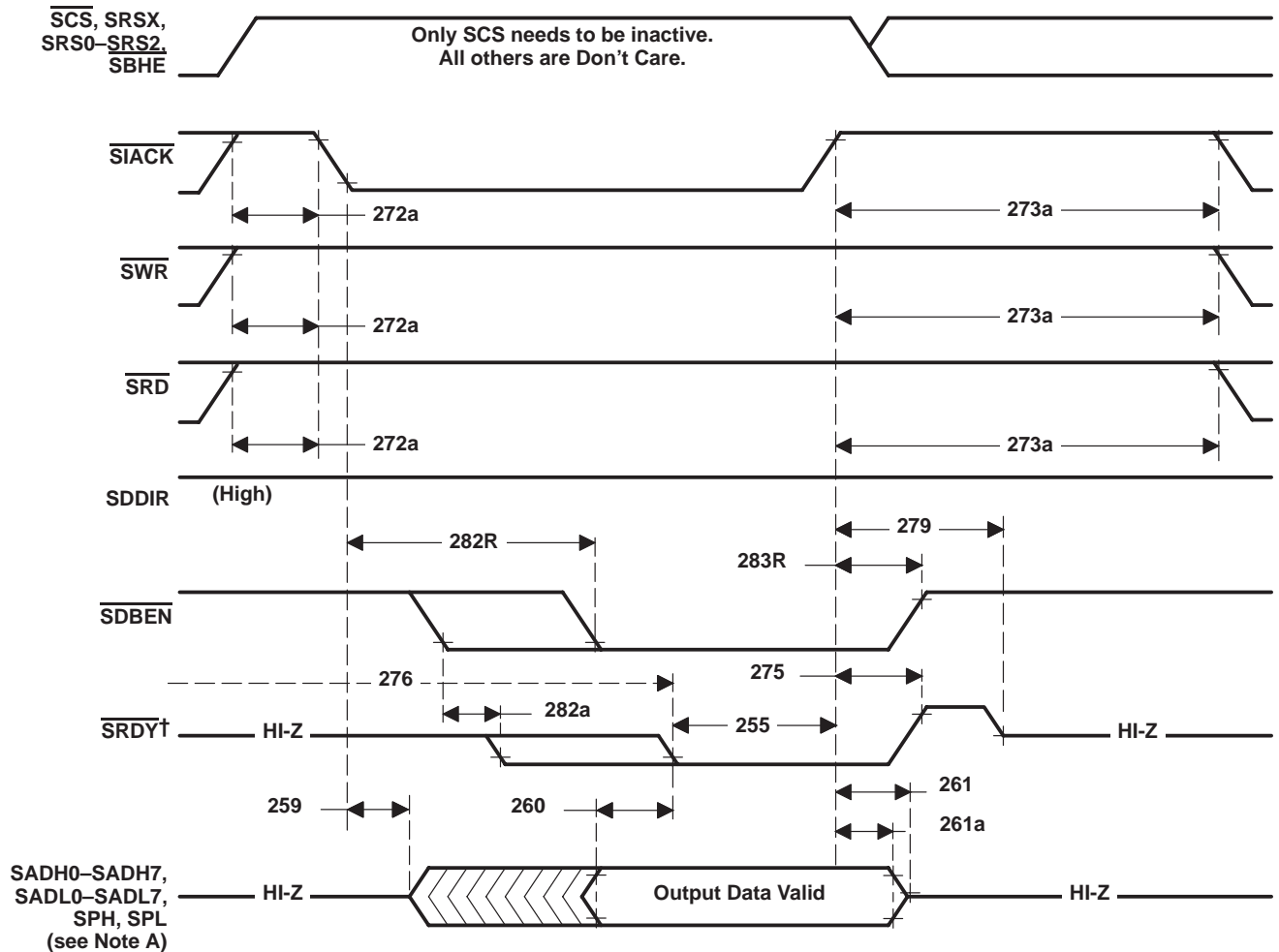
| NO. | PARAMETER | MIN | MAX | UNIT |
|------|--|-----|------|------|
| 255 | Delay from $\overline{\text{SRDY}}$ low to $\overline{\text{SCS}}$ high | 15 | | ns |
| 259† | Hold of SAD high-impedance after $\overline{\text{SIACK}}$ low (see Note 21) | 0 | | ns |
| 260 | Setup of output data valid before $\overline{\text{SRDY}}$ low | 0 | | ns |
| 261† | Delay from $\overline{\text{SIACK}}$ high to SAD high-impedance (see Note 21) | | 35 | ns |
| 261a | Hold of output data valid after $\overline{\text{SIACK}}$ high (see Note 21) | 0 | | ns |
| 272a | Setup of inactive data strobe high to $\overline{\text{SIACK}}$ no longer high | 55 | | ns |
| 273a | Hold of inactive data strobe high after $\overline{\text{SIACK}}$ high | 55 | | ns |
| 275 | Delay from $\overline{\text{SIACK}}$ high to $\overline{\text{SRDY}}$ high (see Note 21) | | 35 | ns |
| 276‡ | Delay from $\overline{\text{SRDY}}$ low in the first DIO access to the SIF register to $\overline{\text{SRDY}}$ low in the immediately following access to the SIF | | 4000 | ns |
| 279† | Delay from $\overline{\text{SIACK}}$ high to $\overline{\text{SRDY}}$ high impedance | | 65 | ns |
| 282a | Delay from $\overline{\text{SDBEN}}$ low to $\overline{\text{SRDY}}$ low in a read cycle | | 35 | ns |
| 282R | Delay from $\overline{\text{SIACK}}$ low to $\overline{\text{SDBEN}}$ low (see TMS380 Second Generation Token-Ring User's Guide, SPWU005, subsection 3.4.1.1.1), provided previous cycle completed | | 55 | ns |
| 283R | Delay from $\overline{\text{SIACK}}$ high to $\overline{\text{SDBEN}}$ high (see Note 21) | | 35 | ns |

† This specification is provided as an aid to board design.

‡ This specification has been characterized to meet stated value.

NOTE 21: The "inactive" chip select is $\overline{\text{SIACK}}$ in DIO read and DIO write cycles, and $\overline{\text{SCS}}$ is the "inactive" chip select in interrupt acknowledge cycles.

PARAMETER MEASUREMENT INFORMATION



† SRDY is an active-low bus ready signal. It must be asserted before data output.

NOTE A: In 8-bit 80x8x mode DIO writes, the value placed on SADH0-SADH7 is a don't care.

Figure 31. 80x8x Interrupt Acknowledge Timing – Second SIACK Pulse

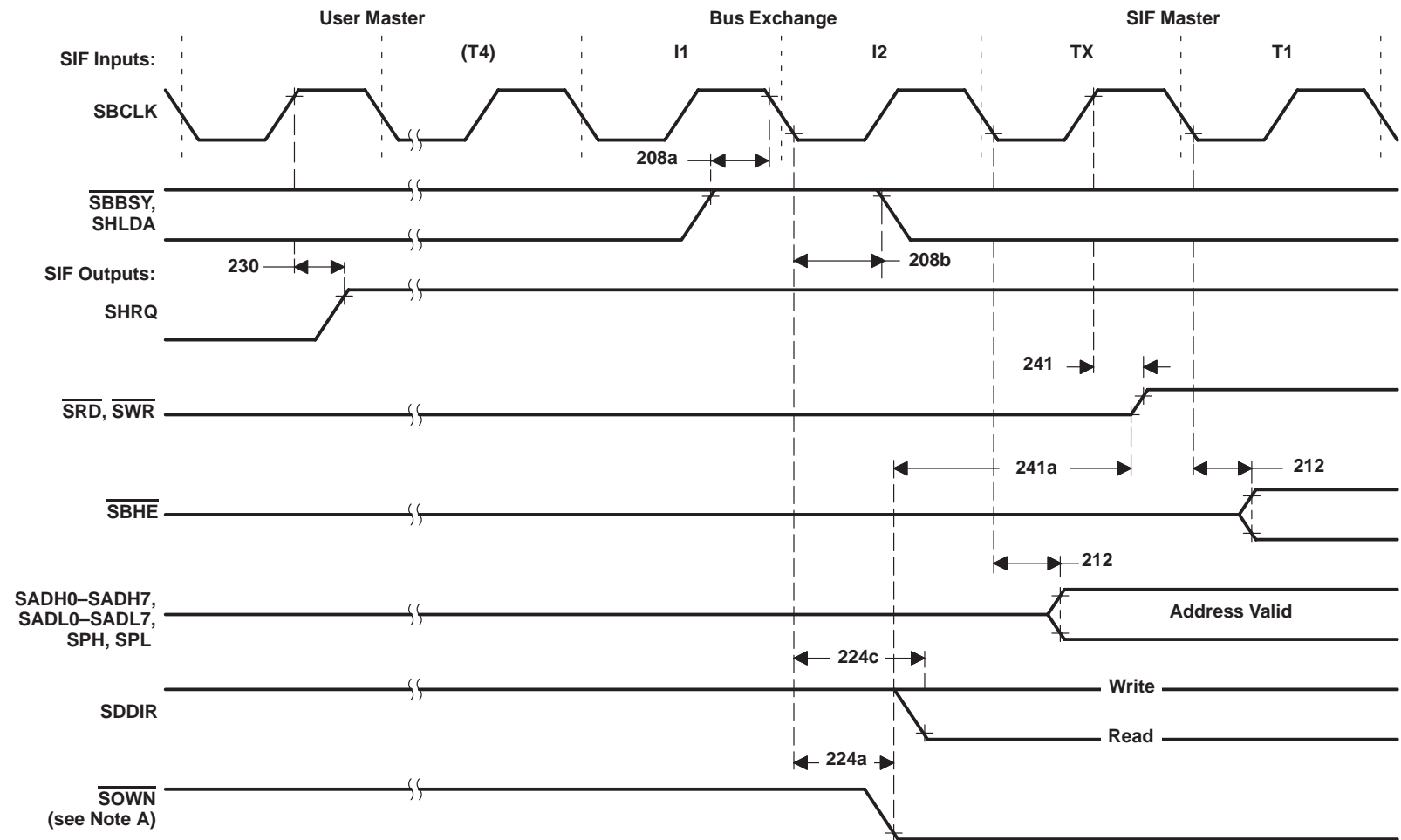
PARAMETER MEASUREMENT INFORMATION

80x8x mode bus arbitration timing, SIF takes control

| NO. | PARAMETER | MIN | MAX | UNIT |
|-------|--|------------------------|-----|------|
| 208a | Setup of asynchronous signal $\overline{\text{SBBSY}}$ and $\overline{\text{SHLDA}}$ before SBCLK no longer high to guarantee recognition on that cycle | 15 | | ns |
| 208b | Hold of asynchronous signal $\overline{\text{SBBSY}}$ and $\overline{\text{SHLDA}}$ after SBCLK low to guarantee recognition on that cycle | 15 | | ns |
| 212 | Delay from SBCLK low to $\overline{\text{SADH0}}-\overline{\text{SADH7}}$, $\overline{\text{SADL0}}-\overline{\text{SADL7}}$, SPH , and SPL valid | | 25 | ns |
| 224a | Delay from SBCLK low in cycle I2 to $\overline{\text{SOWN}}$ low | | 25 | ns |
| 224c | Delay from SBCLK low in cycle I2 to $\overline{\text{SDDIR}}$ low in DMA read | | 30 | ns |
| 230 | Delay from SBCLK high to $\overline{\text{SHRQ}}$ high | | 25 | ns |
| 241 | Delay from SBCLK high in TX cycle to $\overline{\text{SRD}}$ and $\overline{\text{SWR}}$ high, bus acquisition | | 25 | ns |
| 241a† | Hold of $\overline{\text{SRD}}$ and $\overline{\text{SWR}}$ high-impedance after $\overline{\text{SOWN}}$ low, bus acquisition | $t_c(\text{SCK}) - 15$ | | ns |

† This specification has been characterized to meet stated value.

PARAMETER MEASUREMENT INFORMATION



NOTE A: While the system interface DMA controls are active (i.e., \overline{SOWN} is asserted), the \overline{SCS} input is disabled.

Figure 32. 80x8x Mode Bus Arbitration Timing, SIF Takes Control

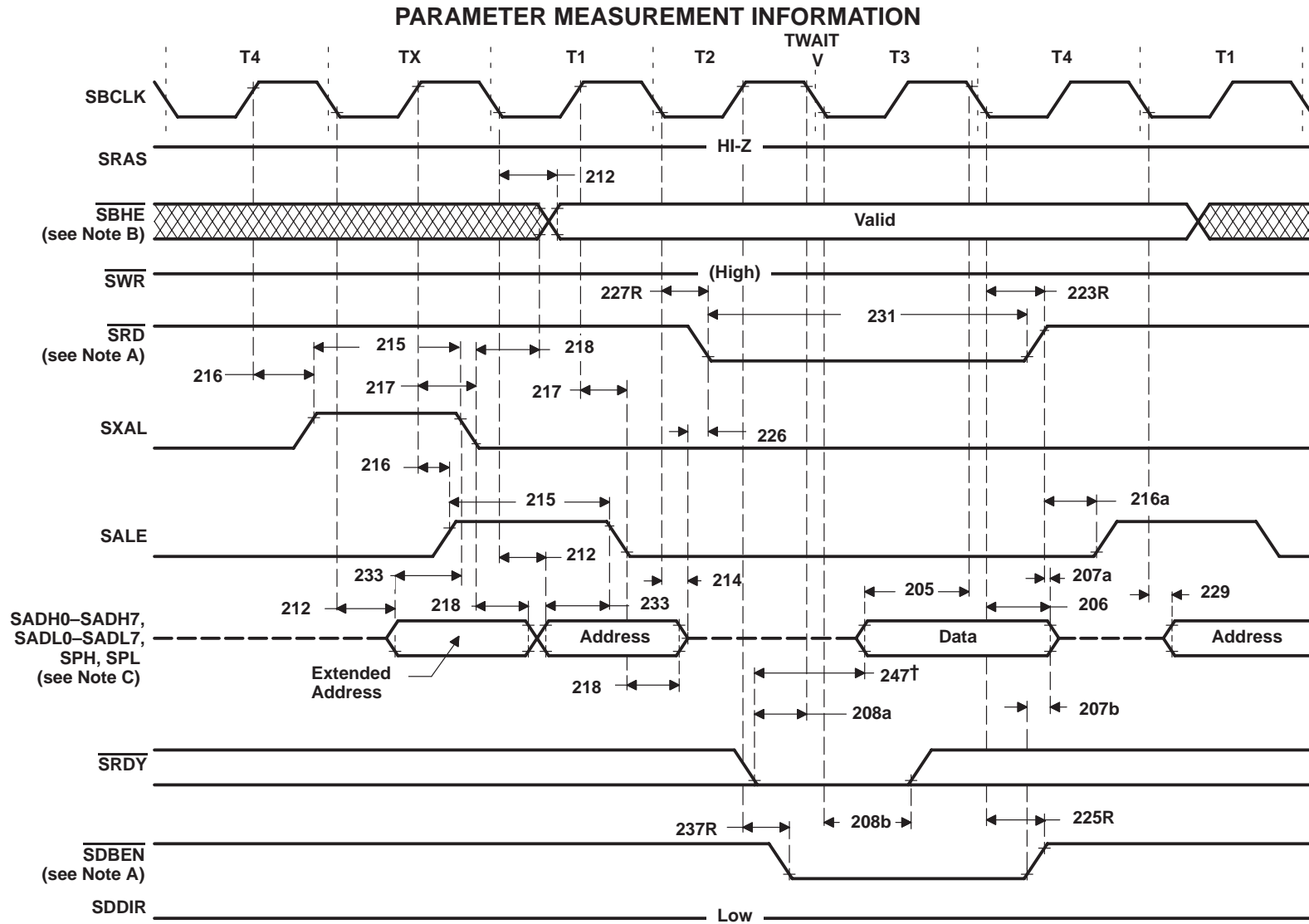
PARAMETER MEASUREMENT INFORMATION

80x8x mode DMA read timing

| NO. | PARAMETER | MIN | MAX | UNIT |
|------|--|-------------------------|-----|------|
| 205 | Setup of SADL0–SADL7, SADH0–SADH7, SPH, and SPL valid before SBCLK in T3 cycle no longer high | 15 | | ns |
| 206 | Hold of SADL0–SADL7, SADH0–SADH7, SPH, and SPL valid after SBCLK low in T4 cycle if parameters 207a and 207b not met | 15 | | ns |
| 207a | Hold of SADL0–SADL7, SADH0–SADH7, SPH, and SPL valid after $\overline{\text{SRD}}$ high | 0 | | ns |
| 207b | Hold of SADL0–SADL7, SADH0–SADH7, SPH, and SPL valid after $\overline{\text{SDBEN}}$ no longer low | 0 | | ns |
| 208a | Setup of asynchronous signal $\overline{\text{SRDY}}$ before SBCLK no longer high to guarantee recognition on this cycle | 15 | | ns |
| 208b | Hold of asynchronous signal $\overline{\text{SRDY}}$ after SBCLK low to guarantee recognition on this cycle | 15 | | ns |
| 212 | Delay from SBCLK low to address valid | | 25 | ns |
| 214† | Delay from SBCLK low in T1 cycle to SADH0–SADH7, SADL0–SADL7, SPH, and SPL high-impedance | | 25 | ns |
| 215 | Pulse duration, SALE and SXAL high | $t_c(\text{SCK}) - 25$ | | ns |
| 216 | Delay from SBCLK high to SALE or SXAL high | | 25 | ns |
| 216a | Hold of SALE or SXAL low after $\overline{\text{SRD}}$ high | $t_w(\text{SCKL}) - 15$ | | ns |
| 217 | Delay from SBCLK high to SXAL low in the TX cycle or SALE low in the T1 cycle | | 25 | ns |
| 218 | Hold of SADH0–SADH7, SADL0–SADL7, SPH, and SPL valid after SALE or SXAL low | $t_w(\text{SCKH}) - 15$ | | ns |
| 223R | Delay from SBCLK low in T4 cycle to $\overline{\text{SRD}}$ high (see Note 23) | | 25 | ns |
| 225R | Delay from SBCLK low in T4 cycle to $\overline{\text{SDBEN}}$ high | | 25 | ns |
| 226† | Delay from SADH0–SADH7, SADL0–SADL7, SPH, and SPL high-impedance to $\overline{\text{SRD}}$ low | 0 | | ns |
| 227R | Delay from SBCLK low in T2 cycle to $\overline{\text{SRD}}$ low | | 25 | ns |
| 229† | Hold of SADH0–SADH7, SADL0–SADL7, SPH, and SPL high-impedance after SBCLK low in T1 cycle | 0 | | ns |
| 231 | Pulse duration, $\overline{\text{SRD}}$ low | $2t_c(\text{SCK}) - 30$ | | ns |
| 233 | Setup of SADH0–SADH7, SADL0–SADL7, SPH, and SPL valid before SALE, SXAL no longer high | $t_w(\text{SCKL}) - 15$ | | ns |
| 237R | Delay from SBCLK high in the T2 cycle to $\overline{\text{SDBEN}}$ low | | 25 | ns |
| 247 | Setup of data valid before $\overline{\text{SRDY}}$ low if parameter 208a not met | 0 | | ns |

† This specification has been characterized to meet stated value.

NOTE 23: While the system interface DMA controls are active (i.e., $\overline{\text{SOWN}}$ is asserted), the $\overline{\text{SCS}}$ input is disabled.



† If parameter 208A is not met then valid data must be present before $\overline{\text{SRDY}}$ goes low.

NOTES: A. Motorola-style bus slaves hold $\overline{\text{SDTACK}}$ active until the bus master deasserts $\overline{\text{SAS}}$.

B. In 8-bit 80x8x mode, SBHE/SRNW is a don't care input during DIO and an inactive (high) output during DMA.

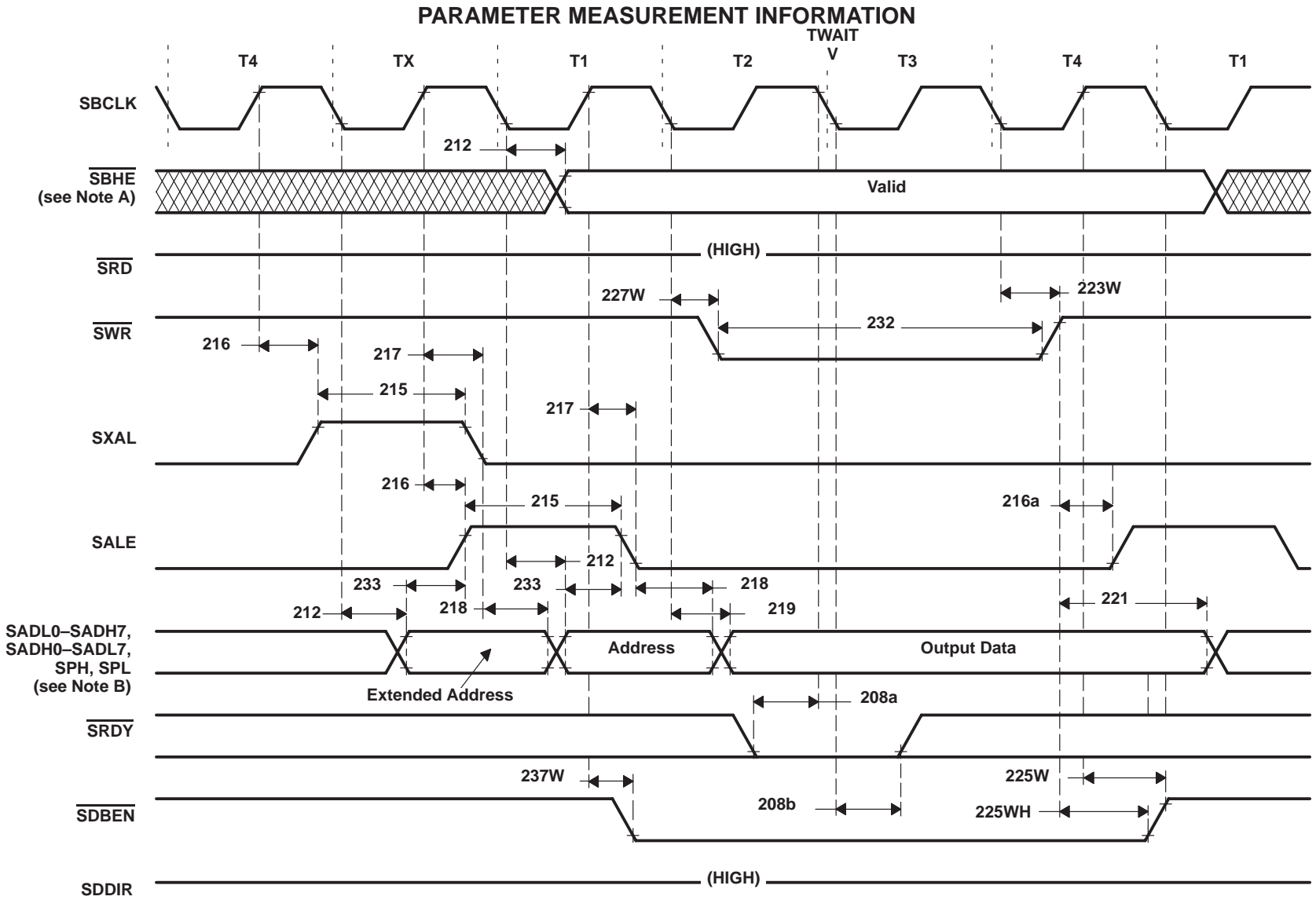
C. In 8-bit 80x8x mode, the most significant byte of the address is maintained on SADH for T2, T3, and T4. The address is maintained according to parameter 21; i.e., held after T4 high.

Figure 33. 80x8x Mode DMA Read Timing

PARAMETER MEASUREMENT INFORMATION

80x8x mode DMA write timing

| NO. | PARAMETER | MIN | MAX | UNIT |
|-------|--|-------------------------|-----|------|
| 208a | Setup of asynchronous signal $\overline{\text{SRDY}}$ before SBCLK no longer high to guarantee recognition on that cycle | 15 | | ns |
| 208b | Hold of asynchronous signal $\overline{\text{SRDY}}$ after SBCLK low to guarantee recognition on that cycle | 15 | | ns |
| 212 | Delay from SBCLK low to SADH0–SADH7, SADL0–SADL7, SPH, and SPL valid | | 25 | ns |
| 215 | Pulse duration, SALE and SXAL high | $t_c(\text{SCK}) - 25$ | | ns |
| 216 | Delay from SBCLK high to SALE or SXAL high | | 25 | ns |
| 216a | Hold of SALE or SXAL low after SWR high | $t_w(\text{SCKL}) - 15$ | | ns |
| 217 | Delay from SBCLK high to SXAL low in the TX cycle or SALE low in the T1 cycle | | 25 | ns |
| 218 | Hold of address valid after SALE, SXAL low | $t_w(\text{SCKH}) - 15$ | | ns |
| 219 | Delay from SBCLK low in T2 cycle to output data and parity valid | | 39 | ns |
| 221 | Hold of SADH0–SADH7, SADL0–SADL7, SPH, and SPL valid after SWR high | $t_c(\text{SCK}) - 15$ | | ns |
| 223W | Delay from SBCLK low to $\overline{\text{SWR}}$ high | | 25 | ns |
| 225W | Delay from SBCLK high in T4 cycle to $\overline{\text{SDBEN}}$ high | | 25 | ns |
| 225WH | Hold of $\overline{\text{SDBEN}}$ low after SWR, $\overline{\text{SUDS}}$, and $\overline{\text{SLDS}}$ high | $t_w(\text{SCKL}) - 25$ | | ns |
| 227W | Delay from SBCLK low in T2 cycle to SWR low | | 31 | ns |
| 232 | Pulse duration, SWR low | $2t_c(\text{SCK}) - 30$ | | ns |
| 233 | Setup of SADH0–SADH7, SADL0–SADL7, SPH, and SPL valid before SALE, SXAL no longer high | $t_w(\text{SCKL}) - 15$ | | ns |
| 237W | Delay from SBCLK high in T1 cycle to $\overline{\text{SDBEN}}$ low | | 25 | ns |



NOTES: A. In 8-bit 80x8x mode, $\overline{\text{SBHE}}/\text{SRNW}$ is a don't care input during DIO and an inactive (high) output during DMA.
 B. In 8-bit 80x8x mode, the most significant byte of the address is maintained on SADH for T2, T3, and T4. The address is maintained according to parameter 21; i.e., held after T4 high.

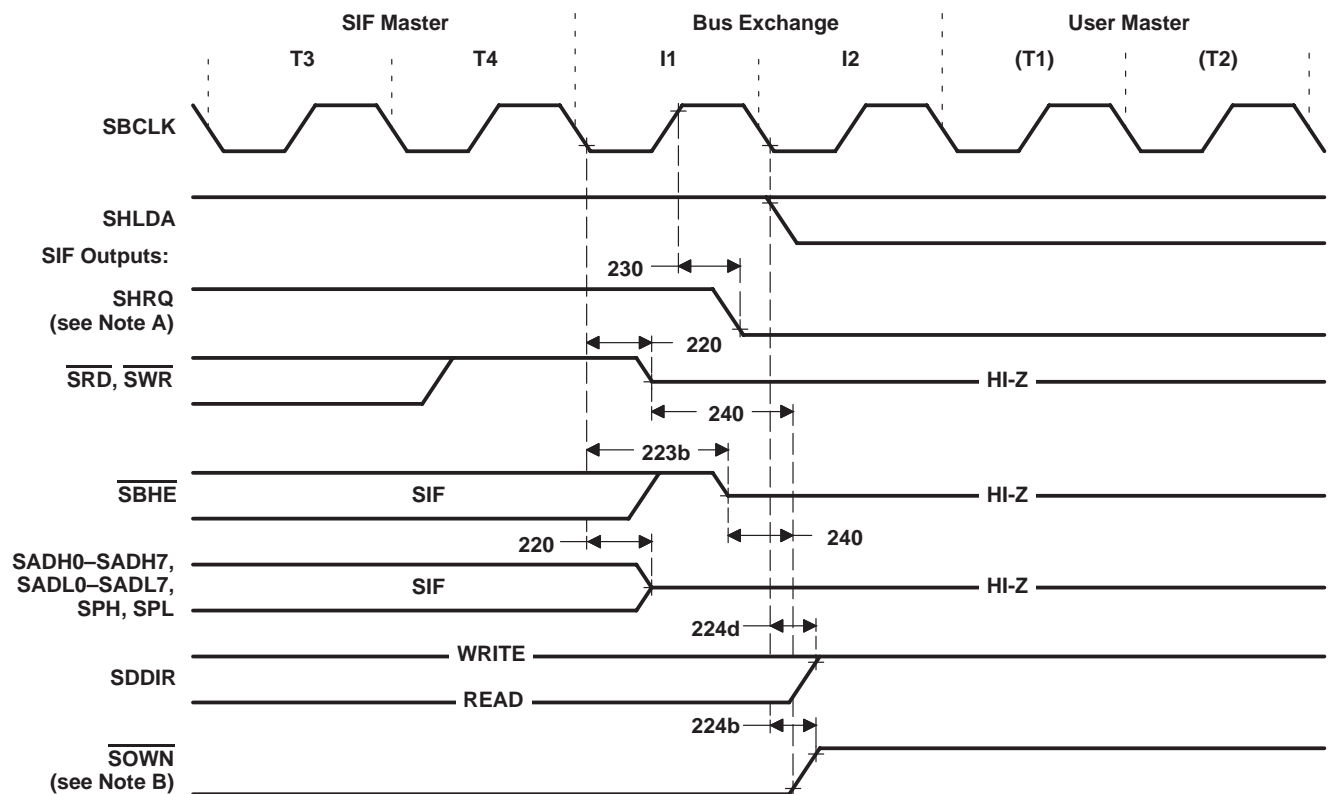
Figure 34. 80x8x Mode DMA Write Timing

PARAMETER MEASUREMENT INFORMATION

80x8x mode bus arbitration timing, SIF returns control

| NO. | PARAMETER | MIN | MAX | UNIT |
|-------|--|-----|-----|------|
| 220† | Delay from SBCLK low in I1 cycle to $\overline{\text{SADH0}}\text{--}\overline{\text{SADH7}}$, $\overline{\text{SADL0}}\text{--}\overline{\text{SADL7}}$, $\overline{\text{SPL}}$, $\overline{\text{SPH}}$, $\overline{\text{SRD}}$, and $\overline{\text{SWR}}$ high-impedance | | 35 | ns |
| 223b† | Delay from SBCLK low in I1 cycle to $\overline{\text{SBHE}}$ high-impedance | | 45 | ns |
| 224b | Delay from SBCLK low in cycle I2 to $\overline{\text{SOWN}}$ high | | 25 | ns |
| 224d | Delay from SBCLK low in cycle I2 to $\overline{\text{SDDIR}}$ high | | 30 | ns |
| 230 | Delay from $\overline{\text{SBCLK}}$ high in cycle I1 to $\overline{\text{SHRQ}}$ low | | 25 | ns |
| 240† | Setup of $\overline{\text{SRD}}$, $\overline{\text{SWR}}$, and $\overline{\text{SBHE}}$ high-impedance before $\overline{\text{SOWN}}$ no longer low | 0 | | ns |

† This specification has been characterized to meet stated value.



- NOTES: A. In 80x8x mode, the system interface deasserts $\overline{\text{SHRQ}}$ on the rising edge of $\overline{\text{SBCLK}}$ following the T4 state of the last system bus transfer it controls. In 68xxx mode, the system interface deasserts $\overline{\text{SBRQ}}$ on the rising edge of $\overline{\text{SBCLK}}$ in state T2 of the first system bus transfer it controls.
- B. While the system interface DMA controls are active (i.e., $\overline{\text{SOWN}}$ is asserted), the $\overline{\text{SCS}}$ input is disabled.

Figure 35. 80x8x Mode Bus Arbitration Timing, SIF Returns Control

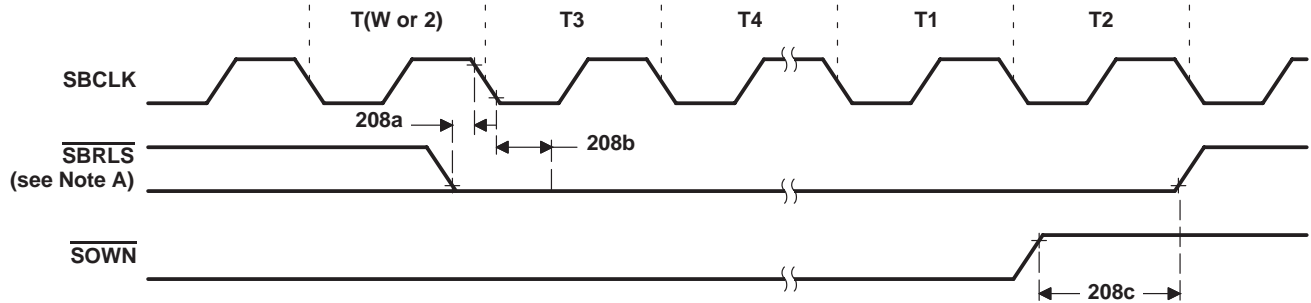
TMS380C26 NETWORK COMMPROCESSOR

SPWS010A—APRIL 1992—REVISED MARCH 1993

PARAMETER MEASUREMENT INFORMATION

80x8x mode bus release timing

| NO. | PARAMETER | MIN | MAX | UNIT |
|------|--|-----|-----|------|
| 208a | Setup of asynchronous input $\overline{\text{SBRLS}}$ low before SBCLK no longer high to guarantee recognition | 15 | | ns |
| 208b | Hold of asynchronous input $\overline{\text{SBRLS}}$ low after SBCLK low to guarantee recognition | 15 | | ns |
| 208c | Hold of $\overline{\text{SBRLS}}$ low after $\overline{\text{SOWN}}$ high | 0 | | ns |



- NOTES:
- The System Interface ignores the assertion of $\overline{\text{SBRLS}}$ if it does not own the system bus. If it does own the bus, then when it detects the assertion of $\overline{\text{SBRLS}}$, it will complete any internally started DMA cycle and relinquish control of the bus. If no DMA transfer has internally started, then the System Interface will release the bus before starting another.
 - If $\overline{\text{SBERR}}$ is asserted when the System Interface controls the system bus, then the current bus transfer is completed, regardless of the value of $\overline{\text{SRDY}}$. If the $\overline{\text{BERETRY}}$ register is non-zero, the cycle will be retried. If the $\overline{\text{BERETRY}}$ register is zero, the System Interface will then release control of the system bus. The System Interface ignores the assertion of $\overline{\text{SBERR}}$ if it is not performing a DMA bus cycle on the system bus. When $\overline{\text{SBERR}}$ is properly asserted and $\overline{\text{BERETRY}}$ is zero, however, the System Interface releases the bus upon completion of the current bus transfer and halts all further DMA on the system side. The error is synchronized to the local bus and DMA stops on the local sides. The value of the $\overline{\text{SDMAADR}}$, $\overline{\text{SDMADDRX}}$, and $\overline{\text{SDMALEN}}$ registers in the System Interface are not defined after a system bus error.
 - In cycle-steal mode, state TX is present on every system bus transfer. In burst mode, state TX is present on the first bus transfer and whenever the increment of the DMA Address Register carries beyond the least significant 16 bits.
 - $\overline{\text{SDTACK}}$ is not sampled to verify that it is deasserted.
 - Unless otherwise specified, for all signals specified as a maximum delay from the end of an SBCLK transition to the signal valid, the signal is also specified to hold its previous value (including high-impedance) until the start of that SBCLK transition.

Figure 36. 80x8x Mode Bus Release Timing

PARAMETER MEASUREMENT INFORMATION

68xxx DIO read timing

| NO. | PARAMETER | MIN | MAX | UNIT |
|------|--|-----|------|------|
| 255 | Delay from $\overline{\text{SDTACK}}$ low to either $\overline{\text{SCS}}$, $\overline{\text{SUDS}}$, or $\overline{\text{SLDS}}$ high | 15 | | ns |
| 259† | Hold of $\overline{\text{SAD}}$ high-impedance after $\overline{\text{SUDS}}$ or $\overline{\text{SLDS}}$ low (see Note 21) | 0 | | ns |
| 260 | Setup of $\overline{\text{SADH0}}\text{--}\overline{\text{SADH7}}$, $\overline{\text{SADL0}}\text{--}\overline{\text{SADL7}}$, $\overline{\text{SPH}}$, and $\overline{\text{SPL}}$ valid before $\overline{\text{SDTACK}}$ low | 0 | | ns |
| 261† | Delay from $\overline{\text{SCS}}$, $\overline{\text{SUDS}}$, or $\overline{\text{SLDS}}$ high to $\overline{\text{SADH0}}\text{--}\overline{\text{SADH7}}$, $\overline{\text{SADL0}}\text{--}\overline{\text{SADL7}}$, $\overline{\text{SPH}}$, and $\overline{\text{SPL}}$ high-impedance (see Note 21) | | 35 | ns |
| 261a | Hold of output data valid after $\overline{\text{SUDS}}$ or $\overline{\text{SLDS}}$ no longer low (see Note 21) | 0 | | ns |
| 267 | Setup of register address before $\overline{\text{SUDS}}$ or $\overline{\text{SLDS}}$ no longer high (see Note 21) | 15 | | ns |
| 268 | Hold of register address valid after $\overline{\text{SUDS}}$ or $\overline{\text{SLDS}}$ no longer low (see Note 22) | 0 | | ns |
| 272 | Setup of $\overline{\text{SRNW}}$ before $\overline{\text{SUDS}}$ or $\overline{\text{SLDS}}$ no longer high (see Note 21) | 15 | | ns |
| 273 | Hold of $\overline{\text{SRNW}}$ after $\overline{\text{SUDS}}$ or $\overline{\text{SLDS}}$ high | 0 | | ns |
| 273a | Hold of $\overline{\text{SIACK}}$ high after $\overline{\text{SUDS}}$ or $\overline{\text{SLDS}}$ high | 55 | | ns |
| 275 | Delay from $\overline{\text{SCS}}$, $\overline{\text{SUDS}}$, or $\overline{\text{SLDS}}$ high to $\overline{\text{SDTACK}}$ high (see Note 21) | | 35 | ns |
| 276‡ | Delay from $\overline{\text{SDTACK}}$ low in the first DIO access to the SIF register to $\overline{\text{SDTACK}}$ low in the immediately following access to the SIF | | 4000 | ns |
| 279† | Delay from $\overline{\text{SUDS}}$ or $\overline{\text{SLDS}}$ high to $\overline{\text{SDTACK}}$ high impedance | | 65 | ns |
| 282a | Delay from $\overline{\text{SDBEN}}$ low to $\overline{\text{SDTACK}}$ low | | 35 | ns |
| 282R | Delay from $\overline{\text{SUDS}}$ or $\overline{\text{SLDS}}$ low to $\overline{\text{SDBEN}}$ low (see <i>TMS380 Second Generation Token-Ring User's Guide</i> , SPWU005, subsection 3.4.1.1.1) provided the previous cycle completed | | 55 | ns |
| 283R | Delay from $\overline{\text{SUDS}}$ or $\overline{\text{SLDS}}$ high to $\overline{\text{SDBEN}}$ high (see Note 21) | | 35 | ns |
| 286 | Pulse duration, $\overline{\text{SUDS}}$ or $\overline{\text{SLDS}}$ high between DIO accesses (see Note 21) | 55 | | ns |

† This specification is provided as an aid to board design.

‡ This specification has been characterized to meet stated value.

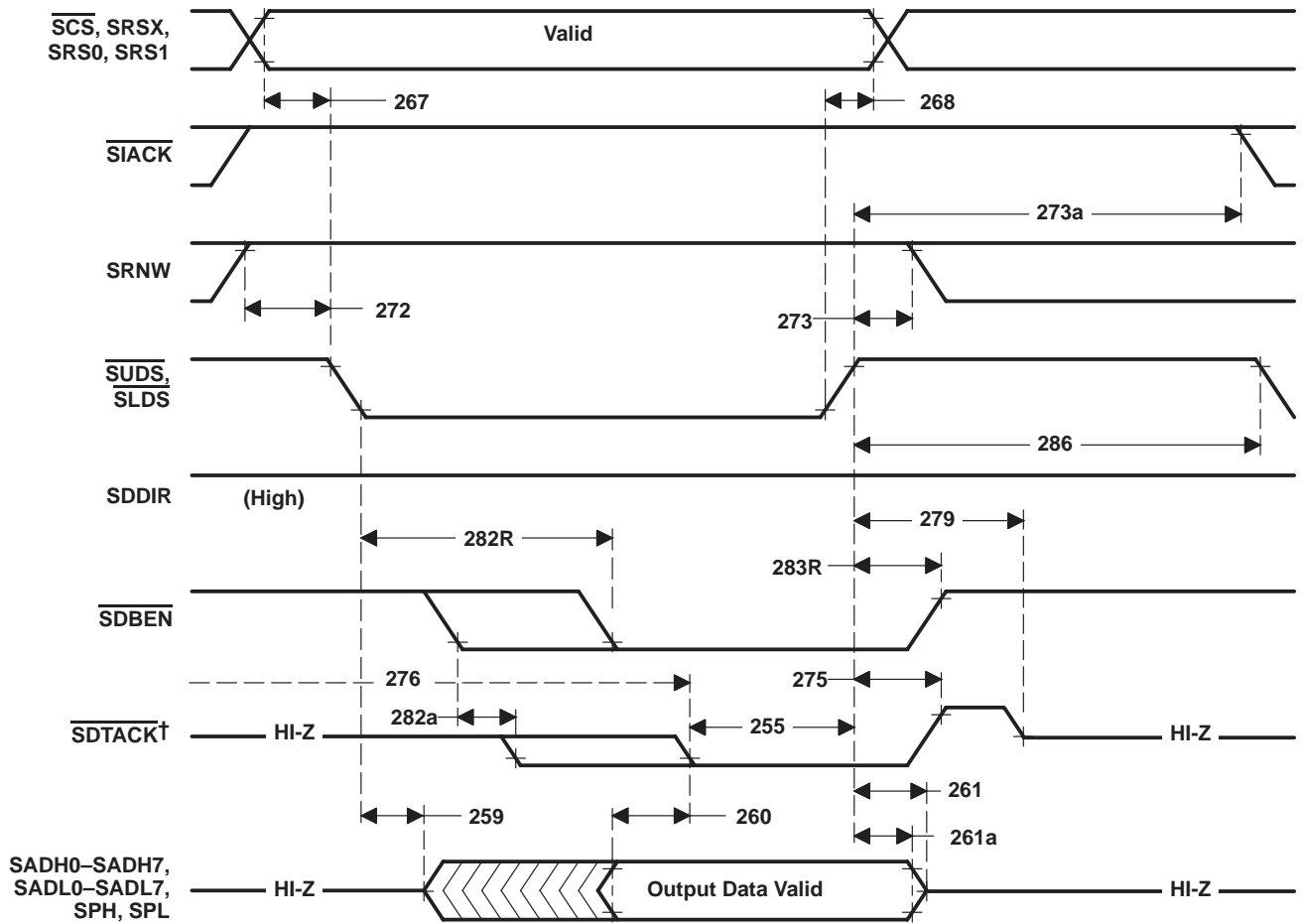
NOTES: 21. The "inactive" chip select is $\overline{\text{SIACK}}$ in DIO read and DIO write cycles, and $\overline{\text{SCS}}$ is the "inactive" chip select in interrupt acknowledge cycles.

22. In 80x8x mode, $\overline{\text{SRAS}}$ may be used to strobe the values of $\overline{\text{SBHE}}$, $\overline{\text{SRSX}}$, $\overline{\text{SRS0}}\text{--}\overline{\text{SRS2}}$, and $\overline{\text{SCS}}$. When used to do so, $\overline{\text{SRAS}}$ must meet parameter 266a, and $\overline{\text{SBHE}}$, $\overline{\text{SRS0}}\text{--}\overline{\text{SRS2}}$, and $\overline{\text{SCS}}$ must meet parameter 264. If $\overline{\text{SRAS}}$ is strapped high, then parameters 266a and 264 are irrelevant, and parameter 268 must be met.

TMS380C26 NETWORK COMMPROCESSOR

SPWS010A—APRIL 1992—REVISED MARCH 1993

PARAMETER MEASUREMENT INFORMATION



† SDTACK is an active-low bus ready signal. It must be asserted before data output.

Figure 37. 68xxx DIO Read Timing

PARAMETER MEASUREMENT INFORMATION

68xxx DIO write timing

| NO. | PARAMETER | MIN | MAX | UNIT | |
|------|--|---|------|------|----|
| 255 | Delay from $\overline{\text{SDTACK}}$ low to either $\overline{\text{SCS}}$, $\overline{\text{SUDS}}$ or $\overline{\text{SLDS}}$ high | 15 | | ns | |
| 262 | Setup of write data valid before $\overline{\text{SUDS}}$ or $\overline{\text{SLDS}}$ no longer low | 25 | | ns | |
| 263 | Hold of write data valid after $\overline{\text{SUDS}}$ or $\overline{\text{SLDS}}$ high | 25 | | ns | |
| 267§ | Setup of register address before $\overline{\text{SUDS}}$ or $\overline{\text{SLDS}}$ no longer high (see Note 21) | 15 | | ns | |
| 268 | Hold of register address valid after $\overline{\text{SUDS}}$ or $\overline{\text{SLDS}}$ no longer low (see Note 22) | 0 | | ns | |
| 272 | Setup of SRNW before $\overline{\text{SUDS}}$ or $\overline{\text{SLDS}}$ no longer high (see Note 21) | 15 | | ns | |
| 272a | Setup of inactive $\overline{\text{SUDS}}$ or $\overline{\text{SLDS}}$ high to active data strobe no longer high | 55 | | ns | |
| 273 | Hold of SRNW after $\overline{\text{SUDS}}$ or $\overline{\text{SLDS}}$ high | 0 | | ns | |
| 273a | Hold of inactive $\overline{\text{SUDS}}$ or $\overline{\text{SLDS}}$ high after active data strobe high | 55 | | ns | |
| 275 | Delay from $\overline{\text{SCS}}$, $\overline{\text{SUDS}}$ or $\overline{\text{SLDS}}$ high to $\overline{\text{SDTACK}}$ high (see Note 21) | | 35 | ns | |
| 276‡ | Delay from $\overline{\text{SDTACK}}$ low in the first DIO access to the SIF register to $\overline{\text{SDTACK}}$ low in the immediately following access to the SIF | | 4000 | ns | |
| 279† | Delay from $\overline{\text{SUDS}}$ or $\overline{\text{SLDS}}$ high to $\overline{\text{SDTACK}}$ high impedance | | 65 | ns | |
| 280 | Delay from $\overline{\text{SUDS}}$ or $\overline{\text{SLDS}}$ low to $\overline{\text{SDDIR}}$ low (see Note 21) | | 25 | ns | |
| 281 | Delay from $\overline{\text{SUDS}}$ or $\overline{\text{SLDS}}$ high to $\overline{\text{SDDIR}}$ high (see Note 21) | | 55 | ns | |
| 281a | Hold of $\overline{\text{SDDIR}}$ low after $\overline{\text{SUDS}}$ or $\overline{\text{SLDS}}$ no longer active (see Note 21) | 0 | | ns | |
| 282b | Delay from $\overline{\text{SDBEN}}$ low to $\overline{\text{SDTACK}}$ low (see <i>TMS380 Second Generation Token-Ring User's Guide</i> , SPWU005, subsection 3.4.1.1.1) | If SIF register is ready (no waiting required) | 0 | 35 | ns |
| | | If SIF register is not ready (waiting required) | 0 | 4000 | |
| 282W | Delay from $\overline{\text{SDDIR}}$ low to $\overline{\text{SDBEN}}$ low | | 25 | ns | |
| 283W | Delay from $\overline{\text{SUDS}}$ or $\overline{\text{SLDS}}$ high to $\overline{\text{SDBEN}}$ no longer low | | 25 | ns | |
| 286 | Pulse duration, $\overline{\text{SUDS}}$ or $\overline{\text{SLDS}}$ high between DIO accesses (see Note 21) | 55 | | ns | |

† This specification is provided as an aid to board design.

‡ This specification has been characterized to meet stated value.

§ It is the later of $\overline{\text{SRD}}$ and $\overline{\text{SWR}}$ or $\overline{\text{SCS}}$ low that indicates the start of the cycle.

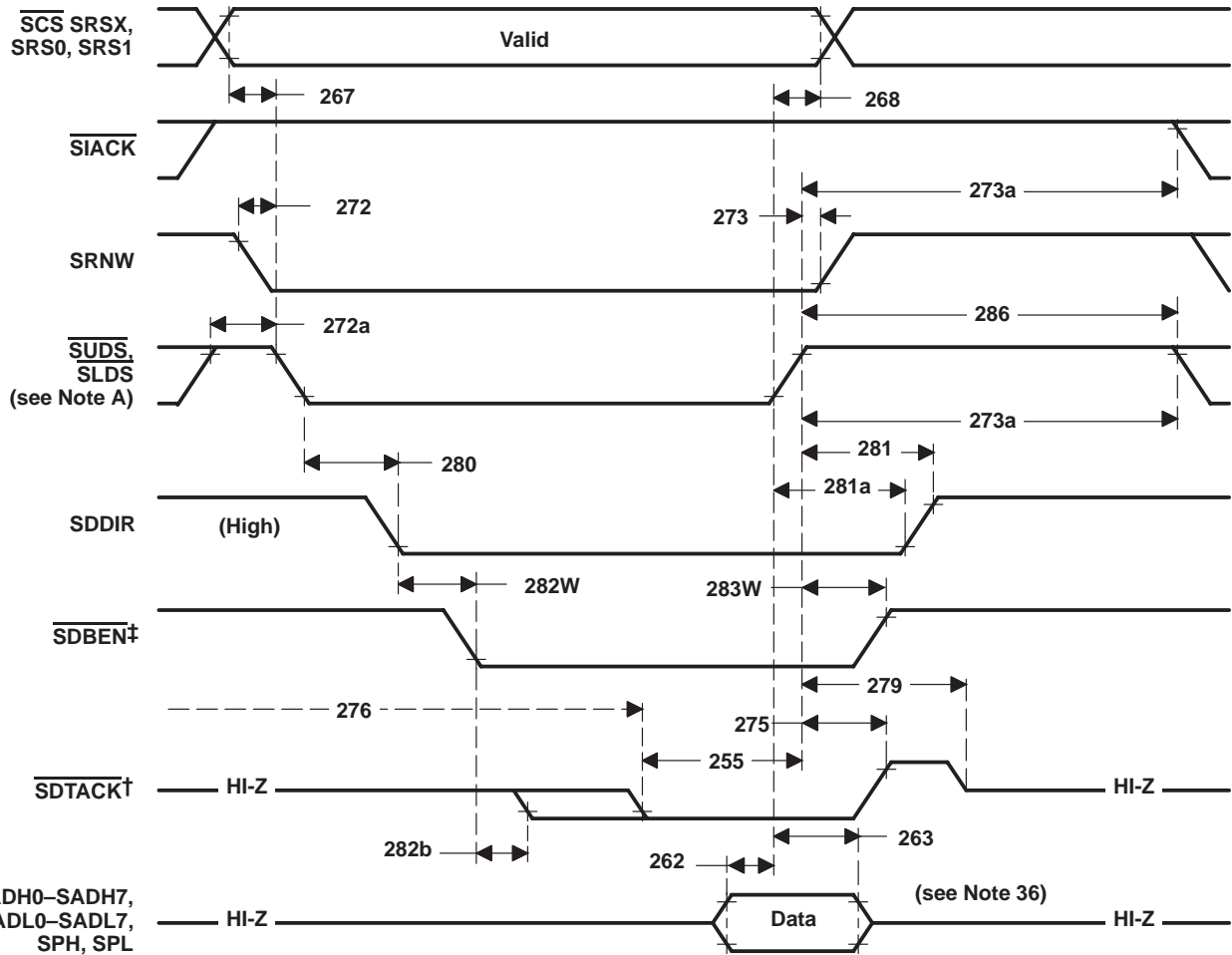
NOTES: 21. The "inactive" chip select is $\overline{\text{SIACK}}$ in DIO read and DIO write cycles, and $\overline{\text{SCS}}$ is the "inactive" chip select in interrupt acknowledge cycles.

22. In 80x8x mode, SRAS may be used to strobe the values of $\overline{\text{SBHE}}$, SRSX, SRS0–SRS2, and $\overline{\text{SCS}}$. When used to do so, SRAS must meet parameter 266a, and $\overline{\text{SBHE}}$, SRS0–SRS2, and $\overline{\text{SCS}}$ must meet parameter 264. If SRAS is strapped high, then parameters 266a and 264 are irrelevant, and parameter 268 must be met.

TMS380C26 NETWORK COMMPROCESSOR

SPWS010A—APRIL 1992—REVISED MARCH 1993

PARAMETER MEASUREMENT INFORMATION



† SDTACK is an active-low bus ready signal. It must be asserted before data output.

‡ When the TMS380C16 begins to drive SDBEN inactive, it has already latched the write date internally. Parameter 263 must be met to the input of the data buffers.

NOTE A: For 68xxx mode, skew between $\overline{\text{SLDS}}$ and $\overline{\text{SUDS}}$ must not exceed 10 ns. Provided this limitation is observed, all events referenced to a data strobe edge use the later occurring edge. Events defined by two data strobes edges, such as parameter 286, are measured between latest and earlier edges.

Figure 38. 68xxx DIO Write Timing

PARAMETER MEASUREMENT INFORMATION

68xxx interrupt acknowledge cycle timing

| NO. | PARAMETER | MIN | MAX | UNIT |
|------|---|-----|------|------|
| 255 | Delay from $\overline{\text{SDTACK}}$ low to either $\overline{\text{SCS}}$ or $\overline{\text{SU}}\overline{\text{DS}}$, or $\overline{\text{SIACK}}$ high | 15 | | ns |
| 259† | Hold of $\overline{\text{SAD}}$ high-impedance after $\overline{\text{SIACK}}$ no longer high (see Note 21) | 0 | | ns |
| 260 | Setup of output data valid before $\overline{\text{SDTACK}}$ no longer high | 0 | | ns |
| 261† | Delay from $\overline{\text{SIACK}}$ high to $\overline{\text{SAD}}$ high-impedance (see Note 21) | | 35 | ns |
| 261a | Hold of output data valid after $\overline{\text{SCS}}$ or $\overline{\text{SIACK}}$ no longer low (see Note 21) | 0 | | ns |
| 267§ | Setup of register address before $\overline{\text{SIACK}}$ no longer high (see Note 21) | 15 | | ns |
| 272a | Setup of inactive high $\overline{\text{SIACK}}$ to active data strobe no longer high | 55 | | ns |
| 273a | Hold of inactive $\overline{\text{SRNW}}$ high after active data strobe high | 55 | | ns |
| 275 | Delay from $\overline{\text{SCS}}$ or $\overline{\text{SRNW}}$ high to $\overline{\text{SDTACK}}$ high (see Note 21) | | 35 | ns |
| 276‡ | Delay from $\overline{\text{SDTACK}}$ low in the first DIO access to the SIF register to $\overline{\text{SDTACK}}$ low in the immediately following access to the SIF | | 4000 | ns |
| 279† | Delay from $\overline{\text{SIACK}}$ high to $\overline{\text{SDTACK}}$ high impedance | | 65 | ns |
| 282a | Delay from $\overline{\text{SDBEN}}$ low to $\overline{\text{SDTACK}}$ low in a read cycle | | 35 | ns |
| 282R | Delay from $\overline{\text{SIACK}}$ low to $\overline{\text{SDBEN}}$ low (see <i>TMS380 Second Generation Token-Ring User's Guide</i> , SPWU005, subsection 3.4.1.1.1) provided the previous cycle completed | | 55 | ns |
| 283R | Delay from $\overline{\text{SIACK}}$ high to $\overline{\text{SDBEN}}$ high (see Note 21) | | 35 | ns |
| 286 | Pulse duration, $\overline{\text{SIACK}}$ high between DIO accesses (see Note 21) | 55 | | ns |

† This specification is provided as an aid to board design.

‡ This specification has been characterized to meet stated value.

§ It is the later of $\overline{\text{SRD}}$ and $\overline{\text{SRD}}$ or $\overline{\text{SCS}}$ low that indicates the start of the cycle.

NOTE 21: The "inactive" chip select is $\overline{\text{SIACK}}$ in DIO read and DIO write cycles, and $\overline{\text{SCS}}$ is the "inactive" chip select in interrupt acknowledge cycles.

PARAMETER MEASUREMENT INFORMATION

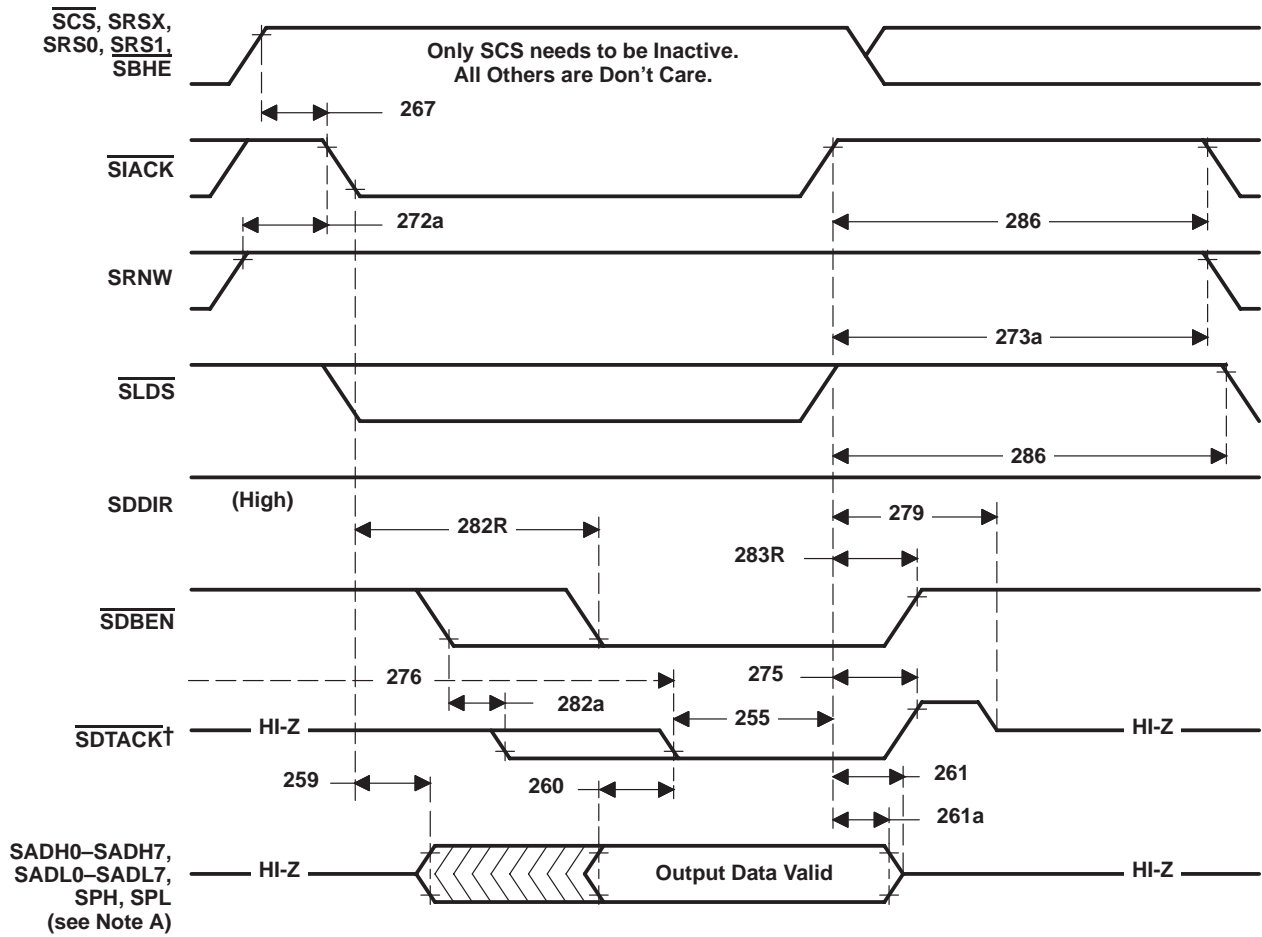


Figure 39. 68xxx Interrupt Acknowledge Cycle Timing

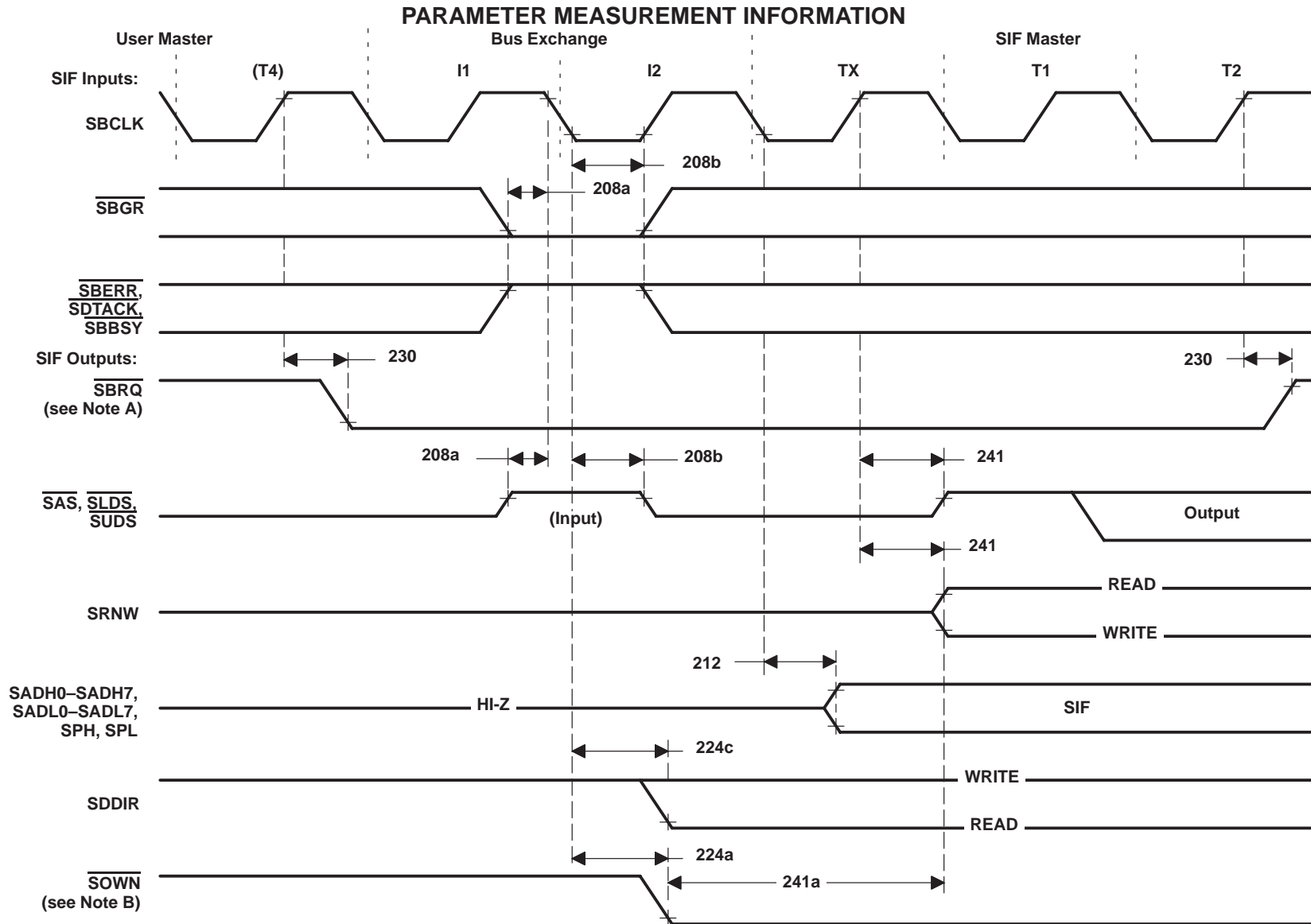
PARAMETER MEASUREMENT INFORMATION

68xxx mode bus arbitration timing, SIF takes control

| NO. | PARAMETER | MIN | MAX | UNIT |
|-------|---|------------------------|-----|------|
| 208a | Setup of asynchronous input $\overline{\text{SBGR}}$ before SBCLK no longer high to guarantee recognition on this cycle | 15 | | ns |
| 208b | Hold of asynchronous input $\overline{\text{SBGR}}$ after SBCLK low to guarantee recognition on this cycle | 15 | | ns |
| 212 | Delay from SBCLK low to address valid | | 25 | ns |
| 224a | Delay from SBCLK low in cycle I2 to $\overline{\text{SOWN}}$ low (see Note 24) | | 25 | ns |
| 224c | Delay from SBCLK low in cycle I2 to SDDIR low in DMA read | | 30 | ns |
| 230 | Delay from SBCLK high to either SHRQ low or $\overline{\text{SBRQ}}$ high | | 25 | ns |
| 241 | Delay from SBCLK high in TX cycle to $\overline{\text{SUDS}}$ and $\overline{\text{SLDS}}$ high | | 25 | ns |
| 241a† | Hold of $\overline{\text{SUDS}}$, $\overline{\text{SLDS}}$, $\overline{\text{SRNW}}$, and $\overline{\text{SAS}}$ high-impedance after SOWN low, bus acquisition | $t_c(\text{SCK}) - 15$ | | ns |

† This specification has been characterized to meet stated value.

NOTE 24: Motorola-style bus slaves hold $\overline{\text{SDTACK}}$ active until the bus master deasserts $\overline{\text{SAS}}$.



NOTES: A. In 80x8x mode, the system interface deasserts SHRQ on the rising edge of SBCLK following the T4 state of the last system bus transfer it controls. In 68xxx mode, the system interface deasserts SBRQ on the rising edge of SBCLK in state T2 of the first system bus transfer it controls.
B. While the system interface DMA controls are active (i.e., SOWN is asserted), the SCS input is disabled.

Figure 40. 68xxx Mode Bus Arbitration Timing, SIF Takes Control

PARAMETER MEASUREMENT INFORMATION

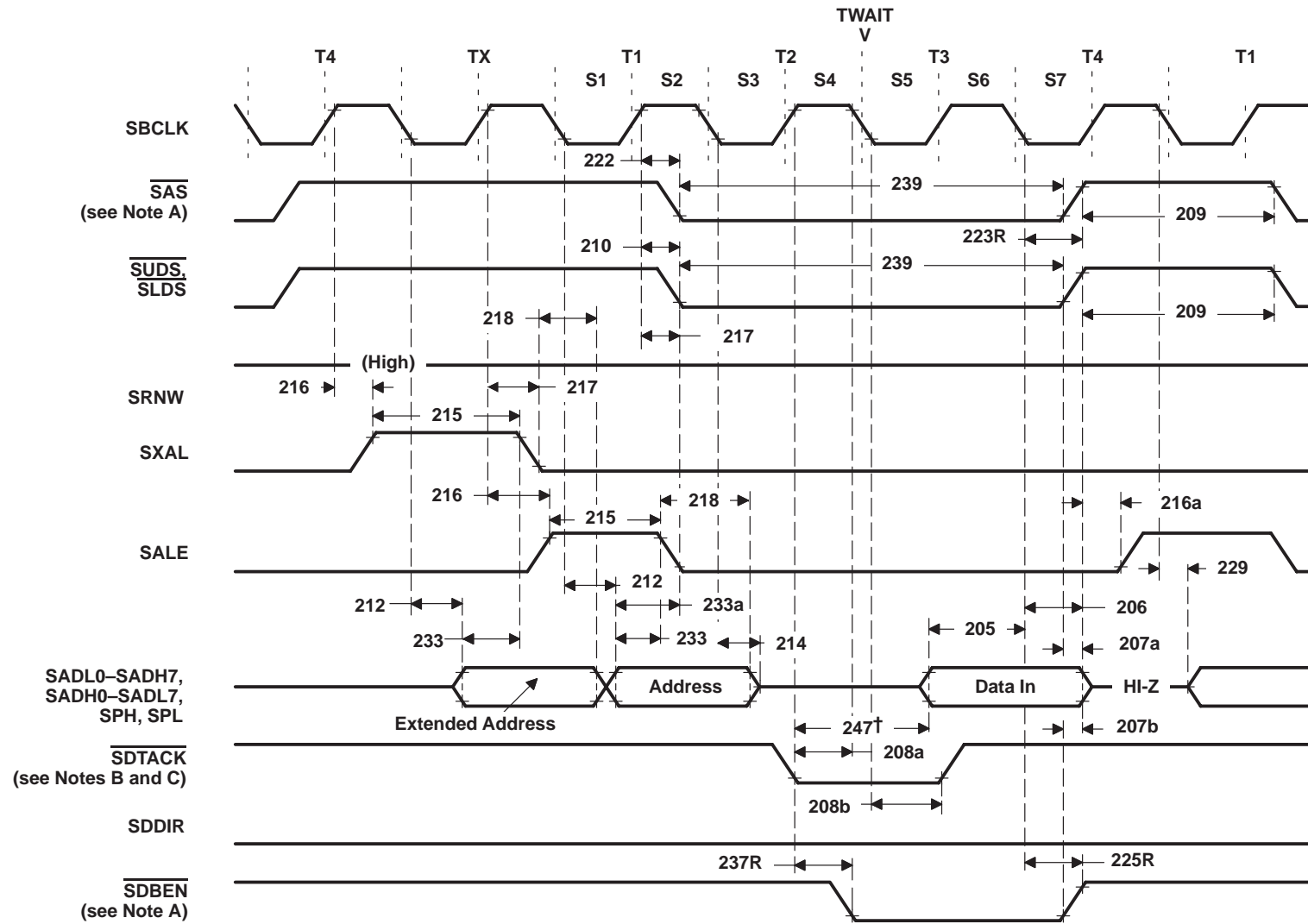
68xxx mode DMA read timing

| NO. | PARAMETER | MIN | MAX | UNIT |
|------------------|--|---|-----|------|
| 205 | Setup of input data valid before SBCLK in T3 cycle no longer high | 15 | | ns |
| 206 | Hold of input data valid after SBCLK low in T4 cycle if parameters 207a and 207b not met | 15 | | ns |
| 207a | Hold of input data valid after data strobe no longer low | 0 | | ns |
| 207b | Hold of input data valid after $\overline{\text{SDBEN}}$ no longer low | 0 | | ns |
| 208a | Setup of asynchronous input $\overline{\text{SDTACK}}$ before SBCLK no longer high to guarantee recognition on this cycle | 15 | | ns |
| 208b | Hold of asynchronous input $\overline{\text{SDTACK}}$ after SBCLK low to guarantee recognition on this cycle | 15 | | ns |
| 209 | Pulse duration, $\overline{\text{SAS}}$, $\overline{\text{SUDS}}$, and $\overline{\text{SLDS}}$ high | $t_c(\text{SCK})^+$ $t_w(\text{SCKL})-25$ | | ns |
| 210 | Delay from SBCLK high in T2 cycle to $\overline{\text{SUDS}}$ and $\overline{\text{SLDS}}$ active | | 25 | ns |
| 212 | Delay from SBCLK low to address valid | | 25 | ns |
| 214 [†] | Delay from SBCLK low in T2 cycle to SAD high-impedance | | 25 | ns |
| 215 | Pulse duration, SALE and SXAL high | $t_c(\text{SCK})-25$ | | ns |
| 216 | Delay from SBCLK high to SALE or SXAL high | | 25 | ns |
| 216a | Hold of SALE or SXAL low after $\overline{\text{SUDS}}$ and $\overline{\text{SAS}}$ high | $t_w(\text{SCKL})-15$ | | ns |
| 217 | Delay from SBCLK high to SXAL low in the TX cycle or SALE low in the T1 cycle | | 25 | ns |
| 218 | Hold of address valid after SALE, SXAL low | $t_w(\text{SCKH})-15$ | | ns |
| 222 | Delay from SBCLK high to $\overline{\text{SAS}}$ low | | 25 | ns |
| 223R | Delay from SBCLK low in T4 cycle to $\overline{\text{SUDS}}$, $\overline{\text{SLDS}}$, and $\overline{\text{SAS}}$ high (see Note 25) | | 25 | ns |
| 225R | Delay from SBCLK low in T4 cycle to $\overline{\text{SDBEN}}$ high | | 25 | ns |
| 229 [†] | Hold of SAD high-impedance after SBCLK low in T4 cycle | 0 | | ns |
| 233 | Setup of address valid before SALE or SXAL no longer high | $t_w(\text{SCKL})-15$ | | ns |
| 233a | Setup of address valid before $\overline{\text{SAS}}$ no longer high | $t_w(\text{SCKL})-15$ | | ns |
| 237R | Delay from SBCLK high in the T2 cycle to $\overline{\text{SDBEN}}$ low | | 25 | ns |
| 239 | Pulse duration, $\overline{\text{SAS}}$, $\overline{\text{SUDS}}$, and $\overline{\text{SLDS}}$ | $2t_c(\text{SCK})^+$ $t_w(\text{SCKH})-30$ | | ns |
| 247 | Setup of data valid before $\overline{\text{SDTACK}}$ low if parameter 208a not met | 0 | | ns |

[†] This specification has been characterized to meet stated value.

NOTE 25: While the system interface DMA controls are active (i.e., $\overline{\text{SOWN}}$ is asserted), the $\overline{\text{SCS}}$ input is disabled.

PARAMETER MEASUREMENT INFORMATION



- † If parameter 208a is not met, then valid data must be present before $\overline{\text{SDTACK}}$ goes low.
- NOTES: A. Motorola-style bus slaves hold $\overline{\text{SDTACK}}$ active until the bus master deasserts SAS.
 B. All V_{SS} pins should be routed to minimize inductance to system ground.
 C. On read cycle, read strobe remains active until the internal sample of incoming data is completed. Input-data may be removed when either the read strobe or $\overline{\text{SDBEN}}$ becomes no longer active.

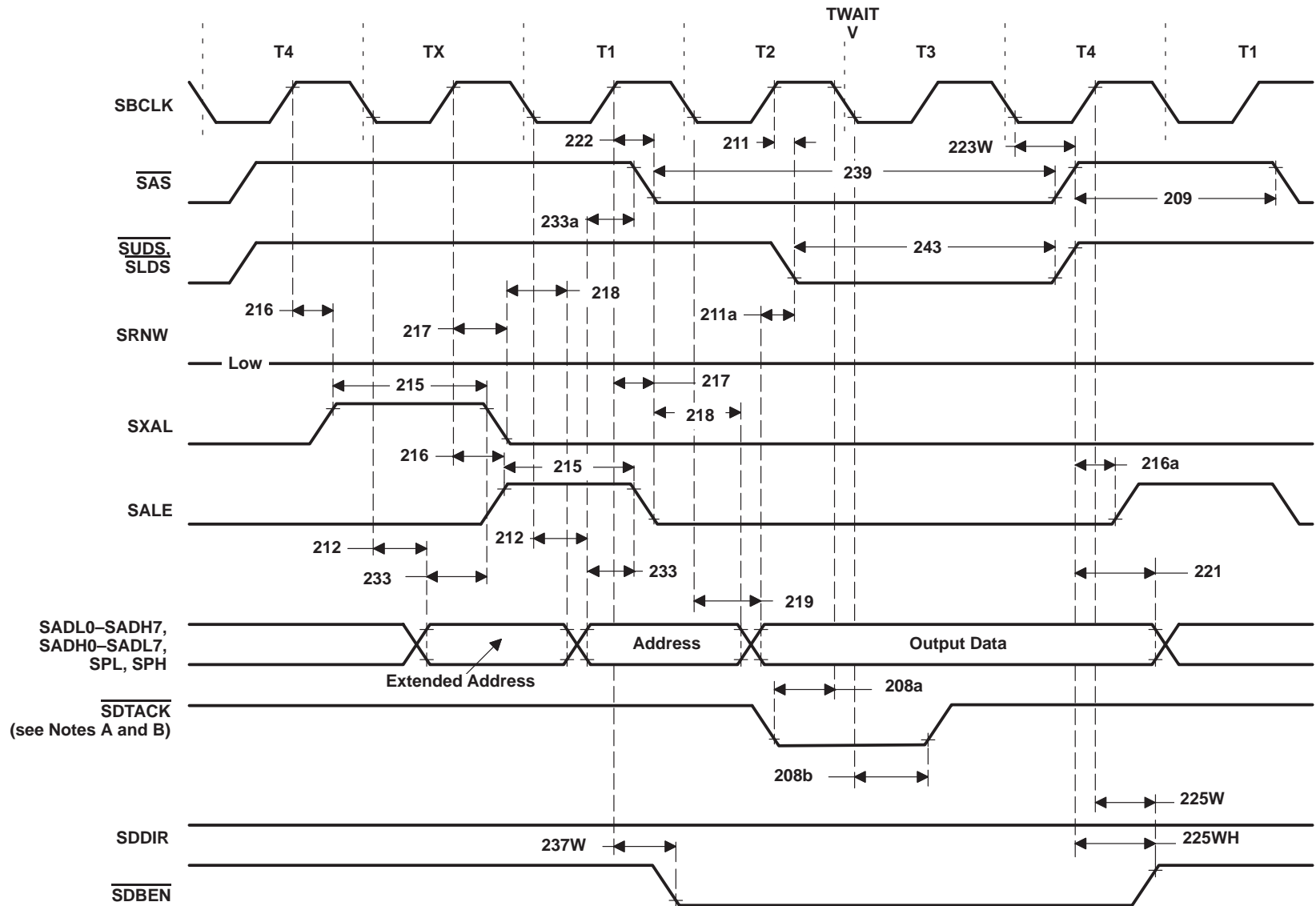
Figure 41. 68xxx Mode DMA Read Timing

PARAMETER MEASUREMENT INFORMATION

68xxx mode DMA write timing

| NO. | PARAMETER | MIN | MAX | UNIT |
|-------|---|--|-----|------|
| 208a | Setup of asynchronous input $\overline{\text{SDTACK}}$ before SBCLK no longer high to guarantee recognition on this cycle | 15 | | ns |
| 208b | Hold of asynchronous input $\overline{\text{SDTACK}}$ after SBCLK low to guarantee recognition on this cycle | 15 | | ns |
| 209 | Pulse duration, $\overline{\text{SAS}}$, $\overline{\text{SUDES}}$, and $\overline{\text{SLDS}}$ high | $t_c(\text{SCK}) + t_w(\text{SCKL}) - 25$ | | ns |
| 211 | Delay from SBCLK high in T2 cycle to $\overline{\text{SUDES}}$ and $\overline{\text{SLDS}}$ active | | 25 | ns |
| 211a | Delay of output data valid to $\overline{\text{SUDES}}$ and $\overline{\text{SLDS}}$ no longer high | $t_w(\text{SCKL}) - 15$ | | ns |
| 212 | Delay from SBCLK low to address valid | | 25 | ns |
| 215 | Pulse duration, SALE and SXAL high | $t_c(\text{SCK}) - 25$ | | ns |
| 216 | Delay from SBCLK high to SALE or SXAL high | | 25 | ns |
| 216a | Hold of SALE or SXAL low after $\overline{\text{SUDES}}$ and $\overline{\text{SAS}}$ high | $t_w(\text{SCKL}) - 15$ | | ns |
| 217 | Delay from SBCLK high to SXAL low in the TX cycle or SALE low in the T1 cycle | | 25 | ns |
| 218 | Hold of address valid after SALE, SXAL low | $t_w(\text{SCKH}) - 15$ | | ns |
| 219 | Delay from SBCLK low in T2 cycle to output data and parity valid | | 39 | ns |
| 221 | Hold of output data, parity valid after $\overline{\text{SUDES}}$ and $\overline{\text{SLDS}}$ high | $t_c(\text{SCK}) - 15$ | | ns |
| 222 | Delay from SBCLK high to $\overline{\text{SAS}}$ low | | 25 | ns |
| 223W | Delay from SBCLK low to $\overline{\text{SUDES}}$, $\overline{\text{SLDS}}$, and $\overline{\text{SAS}}$ high | | 25 | ns |
| 225W | Delay from SBCLK high in T4 cycle to $\overline{\text{SDBEN}}$ high | | 25 | ns |
| 225WH | Hold of $\overline{\text{SDBEN}}$ low after $\overline{\text{SUDES}}$ and $\overline{\text{SLDS}}$ high | $t_w(\text{SCKL}) - 25$ | | ns |
| 233 | Setup of address valid before SALE or SXAL no longer high | $t_w(\text{SCKL}) - 15$ | | ns |
| 233a | Setup of address valid before $\overline{\text{SAS}}$ no longer high | $t_w(\text{SCKL}) - 15$ | | ns |
| 237W | Delay from SBCLK high in T1 cycle to $\overline{\text{SDBEN}}$ low | | 25 | ns |
| 239 | $\overline{\text{SAS}}$ pulse duration | $2t_c(\text{SCK}) + t_w(\text{SCKH}) - 30$ | | ns |
| 243 | Pulse duration, $\overline{\text{SUDES}}$ and $\overline{\text{SLDS}}$ | $t_c(\text{SCK}) + t_w(\text{SCKH}) - 25$ | | ns |

PARAMETER MEASUREMENT INFORMATION



- NOTES: A. All V_{SS} pins should be routed to minimize inductance to system ground.
 B. On read cycle, read strobe remains active until the internal sample of incoming data is completed. Input-data may be removed when either the read strobe or $\overline{\text{SDBEN}}$ becomes no longer active.

Figure 42. 68xxx Mode DMA Write Timing

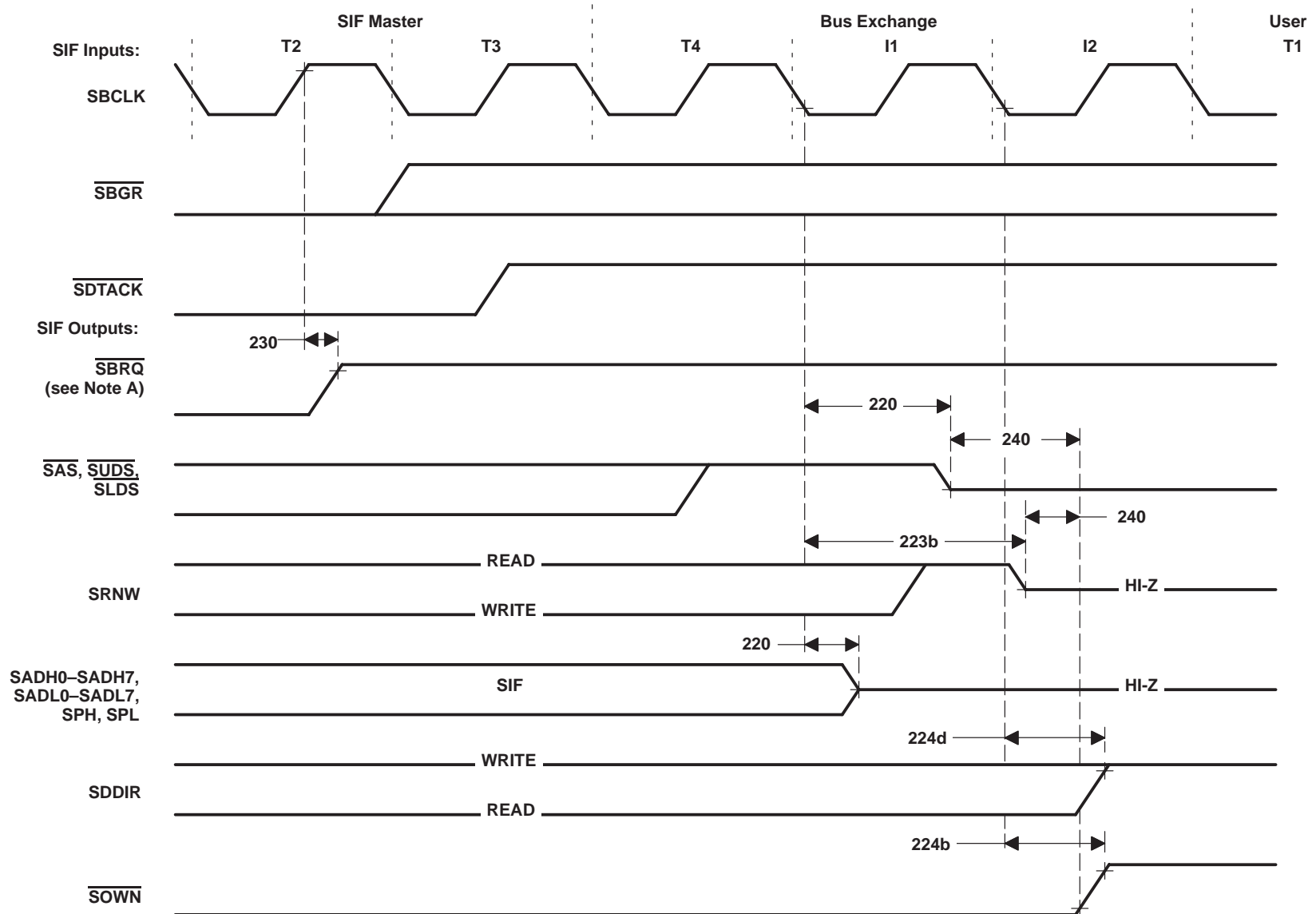
PARAMETER MEASUREMENT INFORMATION

68xxx mode bus arbitration timing, SIF returns control

| NO. | PARAMETER | MIN | MAX | UNIT |
|-------|---|-----|-----|------|
| 220† | Delay from SBCLK low in I1 cycle to $\overline{\text{SAD}}$, $\overline{\text{SPL}}$, $\overline{\text{SPH}}$, $\overline{\text{SUDS}}$, and $\overline{\text{SLDS}}$ high-impedance, bus release | | 35 | ns |
| 223b† | Delay from SBCLK low in I1 cycle to $\overline{\text{SBHE}}/\overline{\text{SRNW}}$ high-impedance | | 45 | ns |
| 224b | Delay from SBCLK low in cycle I2 to $\overline{\text{SOWN}}$ high | | 25 | ns |
| 224d | Delay from SBCLK low in cycle I2 to $\overline{\text{SDDIR}}$ high | | 30 | ns |
| 230 | Delay from SBCLK high to either $\overline{\text{SHRQ}}$ low or $\overline{\text{SBRQ}}$ high | | 25 | ns |
| 240† | Setup of $\overline{\text{SUDS}}$, $\overline{\text{SLDS}}$, $\overline{\text{SRNW}}$, and $\overline{\text{SAS}}$ control signals high-impedance before $\overline{\text{SOWN}}$ no longer low | 0 | | ns |

† This specification has been characterized to meet stated value.

PARAMETER MEASUREMENT INFORMATION



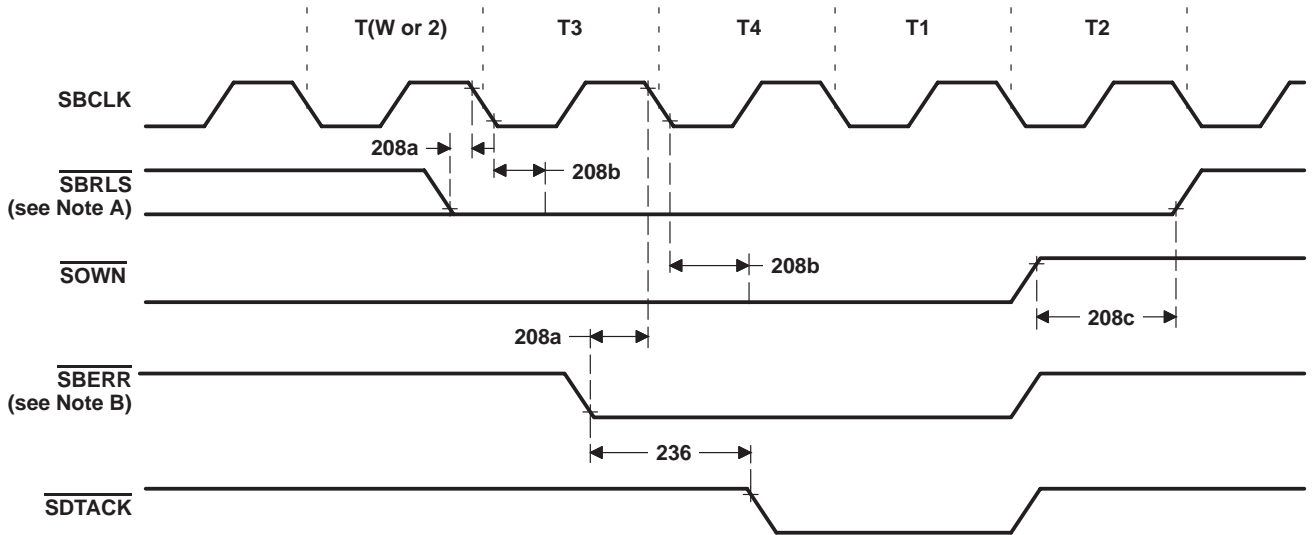
NOTE A: In 80x8x mode, the system interface deasserts SHRQ on the rising edge of SBCLK following the T4 state of the last system bus transfer it controls. In 68xxx mode, the system interface deasserts SBRQ on the rising edge of SBCLK in state T2 of the first system bus transfer it controls.

Figure 43. 68xxx Mode Bus Arbitration Timing, SIF Returns Control

PARAMETER MEASUREMENT INFORMATION

68xxx mode bus release and error timing

| NO. | PARAMETER | MIN | MAX | UNIT |
|------|---|-----|-----|------|
| 208a | Setup of asynchronous input before SBCLK no longer high to guarantee recognition | 15 | | ns |
| 208b | Hold of asynchronous input $\overline{\text{SBRLS}}$, $\overline{\text{SOWN}}$, or $\overline{\text{SBERR}}$ after SBCLK low to guarantee recognition | 15 | | ns |
| 208c | Hold of $\overline{\text{SBRLS}}$ low after $\overline{\text{SOWN}}$ high | 0 | | ns |
| 236 | Setup of $\overline{\text{SBERR}}$ low before $\overline{\text{SDTACK}}$ no longer high if parameter 208a not met | 30 | | ns |

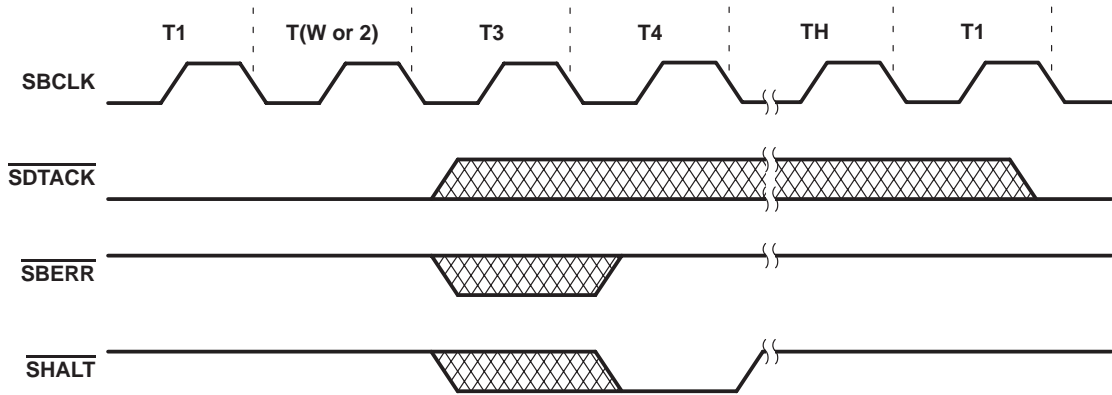


- NOTES:
- A. The System Interface ignores the assertion of $\overline{\text{SBRLS}}$ if it does not own the system bus. If it does own the bus, then when it detects the assertion of $\overline{\text{SBRLS}}$, it will complete any internally started DMA cycle and relinquish control of the bus. If no DMA transfer has internally started, then the System Interface will release the bus before starting another.
 - B. If $\overline{\text{SBERR}}$ is asserted when the System Interface controls the system bus, then the current bus transfer is completed, regardless of the value of $\overline{\text{SDTACK}}$. If the $\overline{\text{BERETRY}}$ register is non-zero, the cycle will be retried. If the $\overline{\text{BERETRY}}$ register is zero, the System Interface will then release control of the system bus. The System Interface ignores the assertion of $\overline{\text{SBERR}}$ if it is not performing a DMA bus cycle on the system bus. When $\overline{\text{SBERR}}$ is properly asserted and $\overline{\text{BERETRY}}$ is zero, however, the System Interface releases the bus upon completion of the current bus transfer and halts all further DMA on the system side. The error is synchronized to the local bus and DMA stops on the local sides. The value of the $\overline{\text{SDMAADR}}$, $\overline{\text{SDMADDRX}}$, and $\overline{\text{SDMALEN}}$ registers in the System Interface are not defined after a system bus error.
 - C. In cycle-steal mode, state TX is present on every system bus transfer. In burst mode, state TX is present on the first bus transfer and whenever the increment of the DMA Address Register carries beyond the least significant 16 bits.
 - D. $\overline{\text{SDTACK}}$ is not sampled to verify that it is deasserted.
 - E. Unless otherwise specified, for all signals specified as a maximum delay from the end of an SBCLK transition to the signal valid, the signal is also specified to hold its previous value (including high-impedance) until the start of that SBCLK transition.

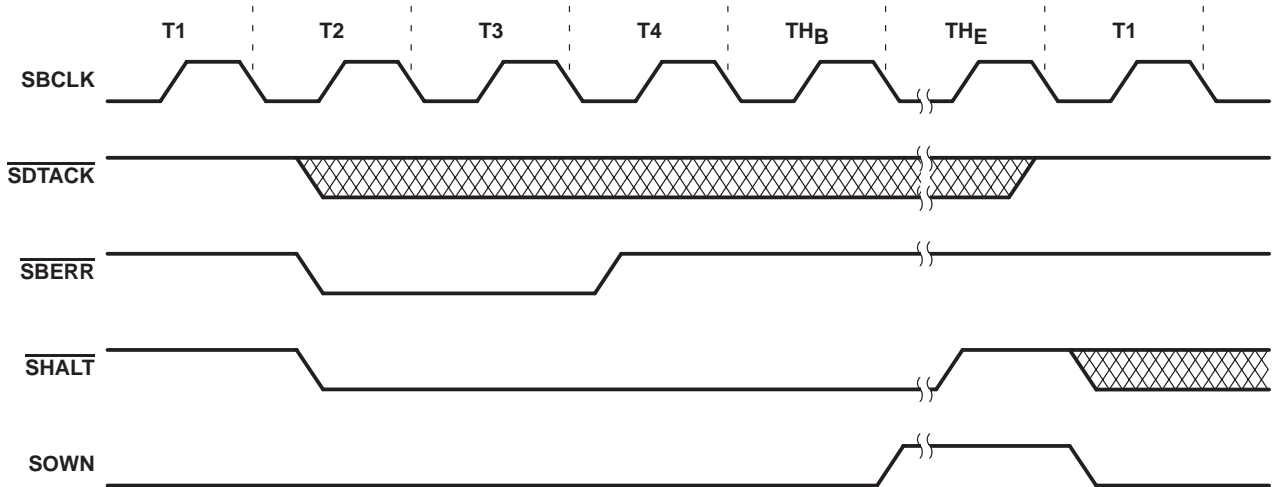
Figure 44. 68xxx Mode Bus Release and Error Timing

PARAMETER MEASUREMENT INFORMATION

normal completion with delayed start†



rerun cycle with delayed start†



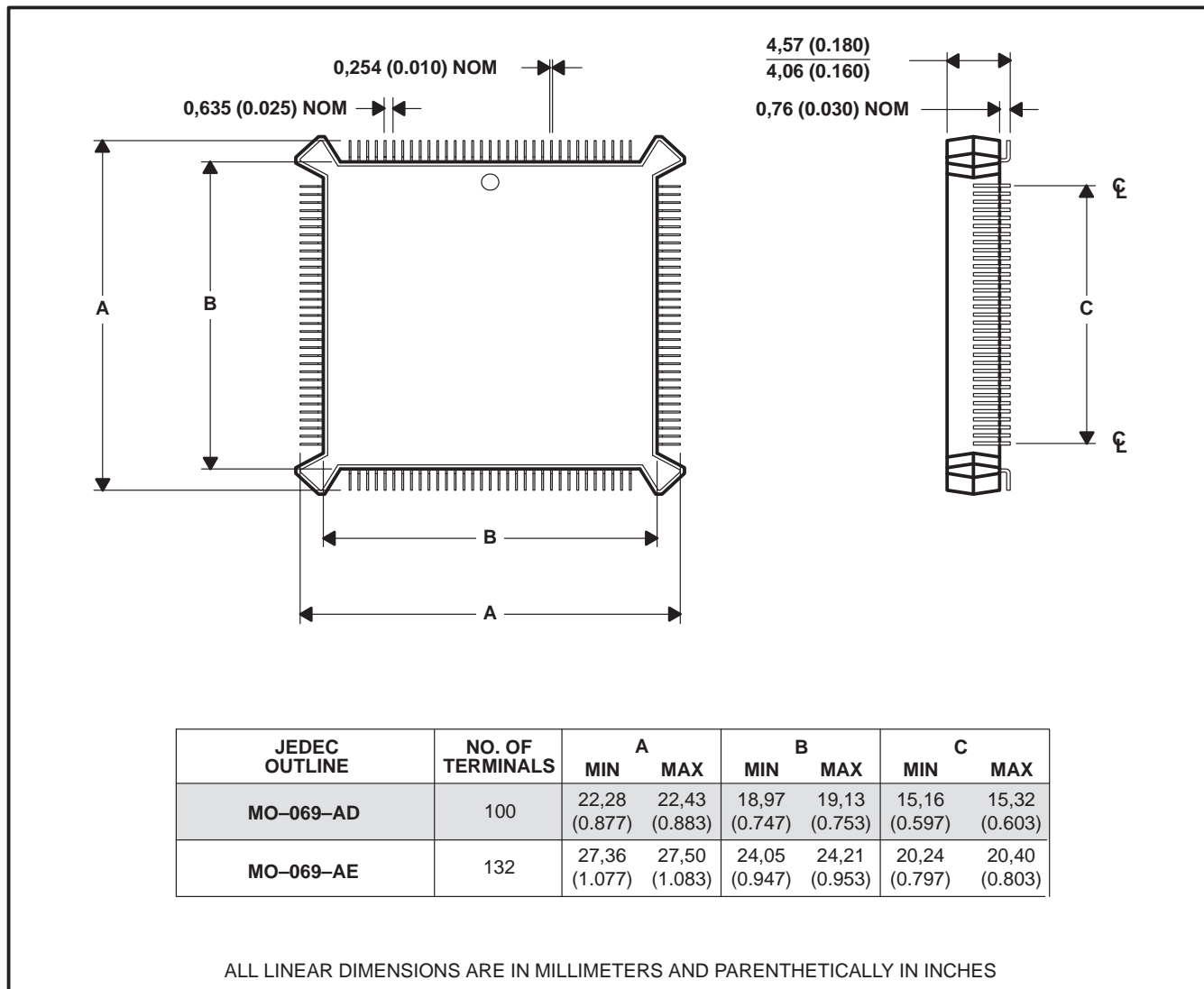
† Only the relative placement of the edges to SBCLK falling edge is shown. Actual signal edge placement may vary from waveforms shown.

Figure 45. 68xxx Bus Halt and Retry Cycle Waveforms

MECHANICAL DATA

JEDEC plastic leaded quad flat package (PQ suffix)

Each of these chip carrier packages consists of a circuit mounted on a lead frame and encapsulated within an electrically nonconductive plastic compound. The compound withstands soldering temperatures with no deformation, and circuit performance characteristics remain stable when the devices are operated in high-humidity conditions. The packages are intended for surface mounting on solder lands on 0,635 (0.025) centers. Leads require no additional cleaning or processing when used in soldered assembly.



IMPORTANT NOTICE

Texas Instruments and its subsidiaries (TI) reserve the right to make changes to their products or to discontinue any product or service without notice, and advise customers to obtain the latest version of relevant information to verify, before placing orders, that information being relied on is current and complete. All products are sold subject to the terms and conditions of sale supplied at the time of order acknowledgement, including those pertaining to warranty, patent infringement, and limitation of liability.

TI warrants performance of its semiconductor products to the specifications applicable at the time of sale in accordance with TI's standard warranty. Testing and other quality control techniques are utilized to the extent TI deems necessary to support this warranty. Specific testing of all parameters of each device is not necessarily performed, except those mandated by government requirements.

CERTAIN APPLICATIONS USING SEMICONDUCTOR PRODUCTS MAY INVOLVE POTENTIAL RISKS OF DEATH, PERSONAL INJURY, OR SEVERE PROPERTY OR ENVIRONMENTAL DAMAGE ("CRITICAL APPLICATIONS"). TI SEMICONDUCTOR PRODUCTS ARE NOT DESIGNED, AUTHORIZED, OR WARRANTED TO BE SUITABLE FOR USE IN LIFE-SUPPORT DEVICES OR SYSTEMS OR OTHER CRITICAL APPLICATIONS. INCLUSION OF TI PRODUCTS IN SUCH APPLICATIONS IS UNDERSTOOD TO BE FULLY AT THE CUSTOMER'S RISK.

In order to minimize risks associated with the customer's applications, adequate design and operating safeguards must be provided by the customer to minimize inherent or procedural hazards.

TI assumes no liability for applications assistance or customer product design. TI does not warrant or represent that any license, either express or implied, is granted under any patent right, copyright, mask work right, or other intellectual property right of TI covering or relating to any combination, machine, or process in which such semiconductor products or services might be or are used. TI's publication of information regarding any third party's products or services does not constitute TI's approval, warranty or endorsement thereof.

TMS380C26, Status: OBSOLETE

Token Ring Commprocessor

[Add to my.TI](#)

This Product is no longer available

Refine Your Selection

- Networking:
Broadband/Networking
Components

Support

- KnowledgeBase
- Contact Technical Support
- Training

| | | |
|-----------------------------------|------------------------------------|-------------------------------------|
| Features | Samples | Technical Documents |
| Quality Data | Pricing/Packaging | Applications Notes |
| Related Products | Inventory | Simulation Models |
| Development Tools | Symbols/Footprints | Reference Designs |

Datasheet

[Download](#) **Network CommProcessor (Rev. A)** (tms380c26.pdf, 1032 KB)
01 Mar 1993 [Download](#)

Product Information

[Features](#) [Save this to your personal library](#) [Add to my.TI](#)

- IEEE 802.5 and IBM Token-Ring Network Compatible
- IEEE 802.3 and Blue Book Ethernet Network Compatible
- Pin and Software Compatible With the TMS380C16
- Configurable Network Type and Speed:
 - Selectable by Host Software Control (Adapter Control Register)
 - Selectable by Network Front-End
 - Readable from Host (Adapter Control Register)
- Token-Ring Features
 - 16- or 4-Megabit-per-Second Data Rates
 - Supports up to 18K-Byte Frame Size (16 Mbps Operation Only)
 - Supports Universal and Local Network Addressing
 - Early Token Release Option (16 Mbps Operation Only)
 - Compatible With the TMS38054
- Ethernet Features
 - 10-Megabit-per-Second Data Rate
 - Compatible With Most Ethernet Serial Network Interface Devices
 - Full Duplex Ethernet Operation Allows Network Speed Self-test
- Expandable Local LAN Subsystem Memory Space up to 2 Megabytes
- Supports Multicast Addressing of Network Group Addresses Through Hashing
- Glueless Interface to DRAMs
- High-Performance 16-Bit CPU for Communications Protocol Processing
- Up to 8 Megabyte-per-Second High-Speed Bus Master DMA Interface
- Low-Cost Host-Slave I/O Interface Option
- Up to 32-Bit Host Address Bus
- Selectable Host System Bus Options
- 80x8x or 68xxx-Type Bus and Memory Organization
 - 8- or 16-Bit Data Bus on 80x8x Buses
 - Optional Parity Checking
- Dual-Port DMA and Direct I/O Transfers to Host Bus
- Specification for External Adapter-Bus Devices (SEADs) Supports External Hardware Interface for User-Defined External Logic
- Enhanced Address Copy Option (EACO) Interface Supports External Address Checking Logic for Bridging or External Custom Applications
- Support for Module High-Impedance In-Circuit Testing

- Built-in Real-Time Error Detection
- Bring-Up and Self-Test Diagnostics With Loopback
- Automatic Frame Buffer Management
- Slow-Clock Low-Power Mode
- Single 5-V Supply
- 1-um CMOS Technology
- 250 mA Typical Latch-Up Immunity at 25°C
- ESD Protection Exceeds 2,000 V
- 132-Pin JEDEC Plastic Quad Flat Package (PQ Suffix)
- Operating Temperature Range
0°C to 70°C

IBM is a registered trademark of International Business Machines Corporation.

Description

The TMS380C26 is a single-chip network communications processor (commprocessor) that supports token ring, or Ethernet Local Area Networks (LANs). Either token ring at data rates of 16 Mbps or 4Mbps, or Ethernet at a data rate of 10 Mbps, can be selected. A flexible configuration scheme allows network type and speed to be configured by hardware or software. This allows the design of LAN subsystems which support both token ring and Ethernet networks, by electrically or physically switched network front-end circuits.

The TMS380C26 conforms to IEEE 802.5-1989 standards and has been verified to be completely IBM™ Token-Ring compatible. By integrating the essential control building blocks needed on a LAN subsystem card into one device, the TMS380C26 can ensure that this IBM compatibility is maintained in silicon.

The TMS380C26 conforms to ISO/IEC 8802-3 (ANSI/IEEE Std 802.3) CSMA/CD standards, and the Ethernet "Blue Book" standard.

The high degree of integration of the TMS380C26 makes it a virtual LAN subsystem on a single chip. Protocol handling, host system interfacing, memory interfacing, and communications processing are all provided through the TMS380C26. To complete LAN subsystem design, only the network interface hardware, local memory, and minimal additional components such as PALs and crystal oscillators need to be added.

The TMS380C26 provides a 32-bit system memory address reach with a high-speed bus-master DMA interface that supports rapid communications with the host system. In addition, the TMS380C26 supports direct I/O and a low-cost 8-bit pseudo-DMA interface that requires only a chip select to work directly on an 80x8x 8-bit slave I/O interface. Finally, selectable 80x8x or 68xxx-type host system bus and memory organization add to design flexibility.

The TMS380C26 supports addressing for up to two Megabytes of local memory. This expanded memory capacity can improve LAN subsystem performance by minimizing the frequency of host LAN subsystem communications by allowing larger blocks of information to be transferred at one time. The support of large local memory is important in applications that require large data transfers (such as graphics or data base transfers) and in heavily loaded networks where the extra memory can provide data buffers to store data until it can be processed by the host.

The proprietary CPU used in the TMS380C26 allows protocol software to be downloaded into RAM or stored in ROM in the local memory space. By moving protocols (such as LLC) to the LAN subsystem, overall system performance is increased. This is accomplished due to the offloading of processing from the host system to the TMS380C26, which may also reduce LAN subsystem-to-host communications. As other protocol software is developed, greater differentiation of end products with enhanced system performance will be possible.

In addition, the TMS380C26 includes hardware counters that provide realtime error detection and automatic frame buffer management. These counters control system bus retries, burst size, and track host and LAN subsystem buffer status. Previously, these counters needed to be maintained in software. By integrating them into hardware, software overhead is removed and LAN subsystem performance is improved.

The TMS380C26 implements a TI-patented Enhanced Address Copy Option (EACO) interface. This interface supports external address checking devices, such as the TMS380SRA Source Routing Accelerator. The TMS380C26 has a 128-word external I/O space in its memory map to support external address-checker devices and other hardware extensions to the TMS380 architecture. Hardware designed in conformance

with TI's Specification for External Adapter-bus Devices (SEADs) can map registers into this external I/O space and post interrupts to the TMS380C26.

The major blocks of the TMS380C26 include the communications Processor (CP), System Interface (SIF), Memory Interface (MIF), Protocol Handler (PH), Clock Generator (CG), and the Adapter Support Function (ASF) as shown in Figure 2.

The TMS380C26 is available in a 132-pin JEDEC plastic quad flat pack and is rated from 0°C to 70°C.

Pricing/Packaging/Samples

| Pricing | | | Packaging | | | Samples |
|--------------|----------|-----------|--------------|------|------------|---------------|
| Device | Status | Temp (°C) | Package Type | Pins | Footprints | Samples |
| TMS380C26PQL | OBSOLETE | 0 to 70 | BQFP (PQ) | 132 | | Not Available |

Quality Data

Quality & Reliability Data

If the information you are requesting is not available online at this time, please contact one of our [Product Information Centers](#) regarding the availability of this information.

TI Recommends

Technical Documents

Datasheets

Keep track of what's new

[Add to my TI](#)

Network CommProcessor (Rev. A) (tms380c26.pdf, 1032 KB)

01 Mar 1993 [Download](#)

[Products](#) | [Applications](#) | [Support](#) | [Site Map](#)

© Copyright 1995-2004 Texas Instruments Incorporated. All rights reserved. [Trademarks](#) | [Privacy Policy](#) | [Terms of Use](#)