

PCB plug-in socket, 4 contacts (2 NC)

5.05.510.648/0000

For soldering onto PCBs. Additional fixing of the PCBs is not required. Solder terminals for PCB 3.5 mm long, for 1.3 mm hole.

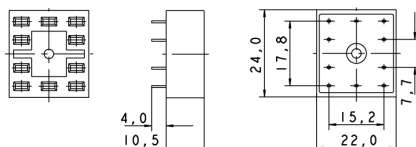
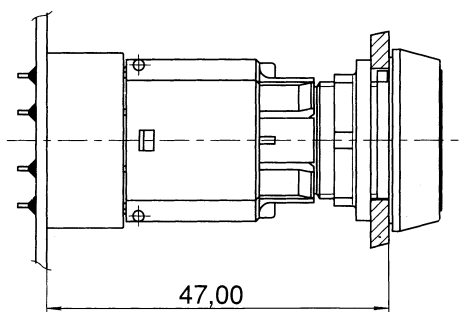


Dimensions

Length	22 mm
Size not mounted	22 mm
Width	24 mm
Height	10.5/14.5 mm
Mounting depth	47 mm
Mounting depth	47 mm

Other specifications

Contacts	4
Contact arrangement	2 NC
Shock resistance acc. to IEC 60068-2-27	amplitude < 50g, 11ms, half sinusoidal
Ambient temp. operating min.	-25 °C
Ambient temp. operating max. with lamp /LED	+55 °C
Storage temperature min.	-40 °C
Storage temperature max.	+85 °C
Environmental resistance	acc. to IEC 60068-2-14, -30, -33 and -78
Hot wire ignition acc. to IEC 60695-2-1	yes
Resistance to vibrations acc. to IEC 60068-2-6	10 g at 20 ... 500 Hz
ROHS compliant	yes
REACH compliant	yes



Mouser Electronics

Authorized Distributor

Click to View Pricing, Inventory, Delivery & Lifecycle Information:

[RAFI:](#)

[5.05.510.648/0000](#)