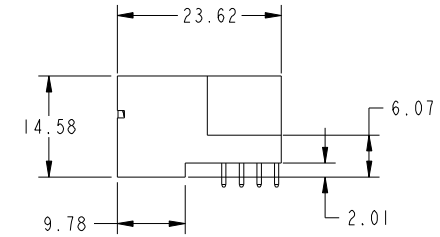
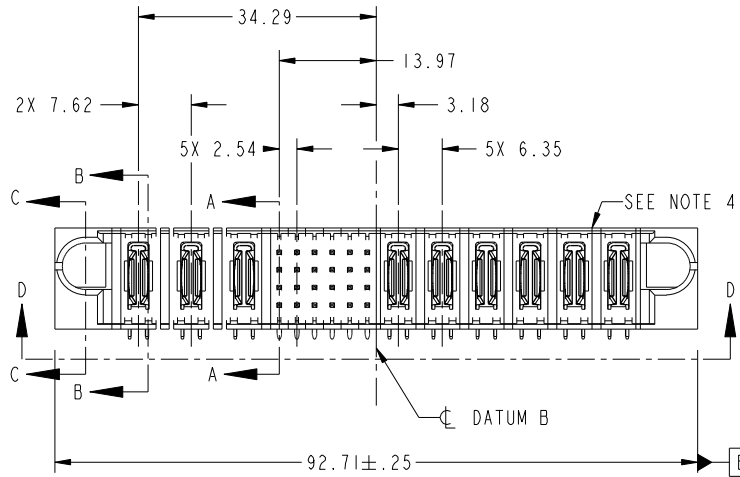
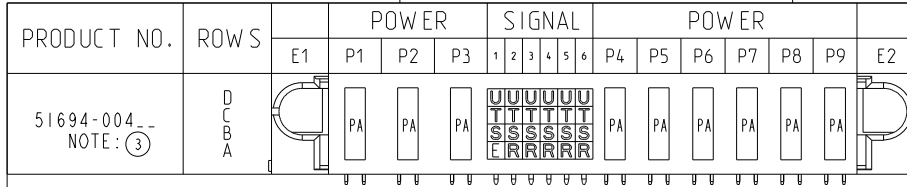


Tous droits strictement réservés. Reproduction ou communication a des tiers interdite sous quelque forme que ce soit sans autorisation écrite du propriétaire. Propriete de c FCI. Droits de reproduction FCI.



All rights strictly reserved. Reproduction or issue to third parties in any form whatever is not permitted without written authority from the proprietor. Property of FCI. Copyright FCI.



CODE	DIM "M" MATING LENGTH	CONTACT TYPE
E	[5.59]	SIGNAL
R	[6.86]	SIGNAL
S	[6.86]	SIGNAL
T	[6.86]	SIGNAL
U	[6.86]	SIGNAL
PA	[N/A]	POWER

mat'l code				SEE NOTE		tolerances unless otherwise specified		CUSTOMER		FCI	
ltr	ecn no.	dr	date	linear	0.X ± 0.5	projection		COPY		www.fciconnect.com	
A	V12534	JWS	11/19/01		0.XX ± 0.25	MIM		title		3ACP + 24S + 6P	
B	DG05-0212	SJ	07/07/05	angles	0.XXX ± 0.10	← MIM →		RIGHT ANGLE SOLDER HEADER		product family PwrBlade code 213	
C	DG06-0011	CS	01/09/06		0° + 2°	scale		size		dwg no 51694-004 sheet 1 of 4	
D	DG08-0272	JW	09/29/08	dr	J. SHAFFER 11/19/01	1:1		A			
				enrg	M. MOSTOLLER 11/19/01						
				chr	M. MOSTOLLER 11/19/01						
				appd	M. MOSTOLLER 11/19/01						
sheet index	revision sheet	D 1	D 2	D 3	D 4						

cage code 22526

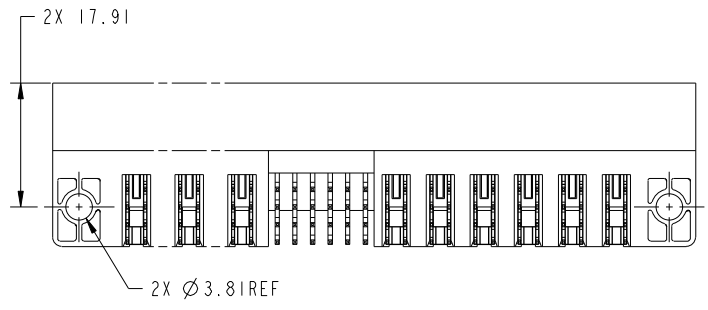
Pro/E

Tous droits strictement reserves. Reproduction ou communication a des tiers interdite sous quelque forme que ce soit sans autorisation écrite du propriétaire. Propriete de c FCI. Droits de reproduction FCI.

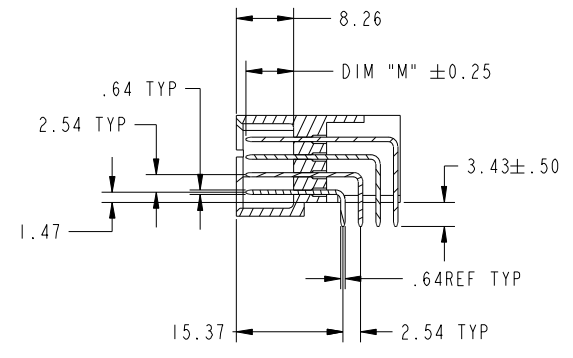


All rights strictly reserved. Reproduction or issue to third parties in any form whatever is not permitted without written authority from the proprietor. Property of FCI. Copyright FCI.

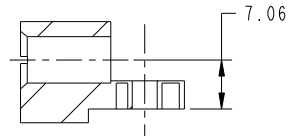
PRODUCT NUMBER
51694-004_-
NOTE: 3



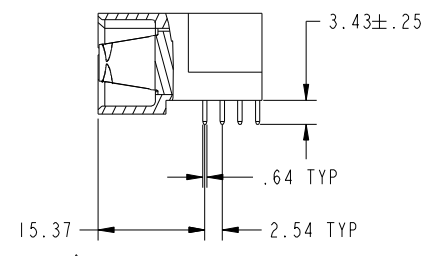
SECTION D-D



SECTION A-A



SECTION C-C



SECTION B-B

mat'l code				SEE NOTE		tolerances unless otherwise specified		CUSTOMER		www.fciconnect.com	
ltr	ecn no.	dr	date	linear	0.X ±0.5		COPY			title	
D					0.XX ±0.25		3ACP + 24S + 6P			RIGHT ANGLE SOLDER HEADER	
					0.XXX ±0.10					product family PwrBlade code 213	
				angles	0° +2°		scale		size		
				dr	J. SHAFFER	11/19/01	1:1		dwg no		
				enrg	M. MOSTOLLER	11/19/01	A		51694-004		
				chr	M. MOSTOLLER	11/19/01			sheet 2		
				appd	M. MOSTOLLER	11/19/01			sheet 2		
sheet index		revision sheet								cage code 22526	

Pro/E

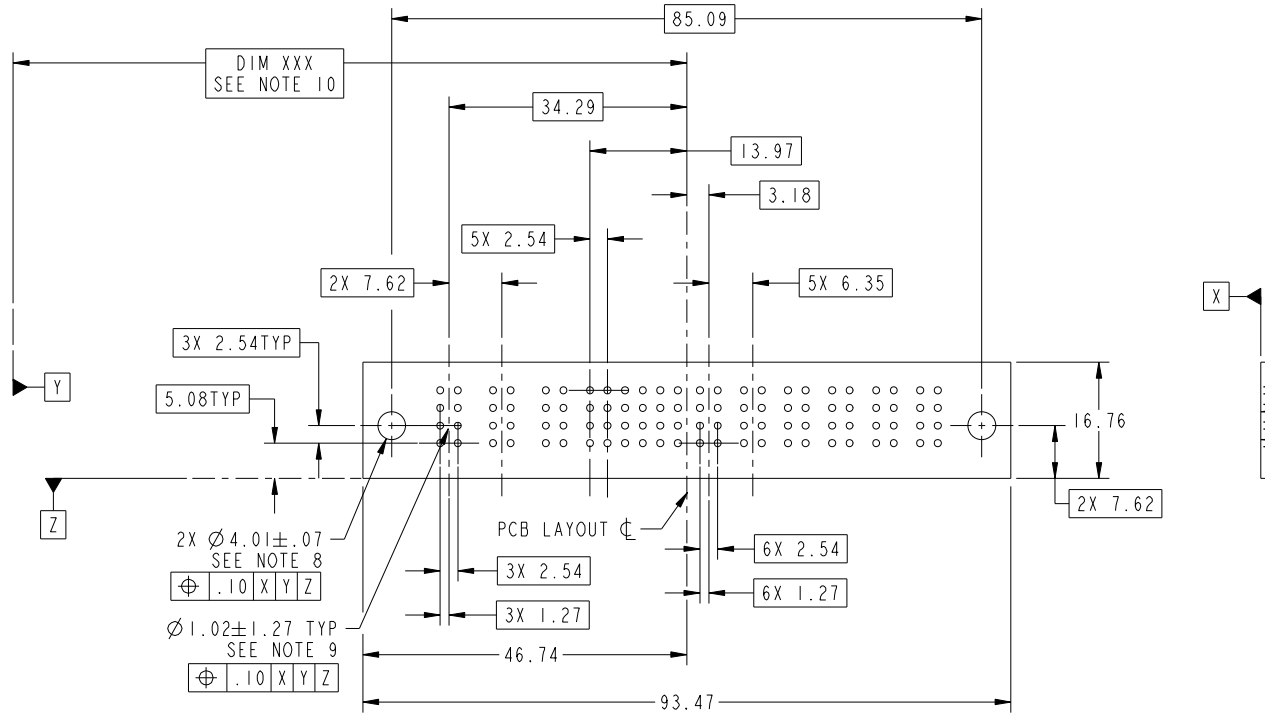
cage code 22526

Tous droits strictement reserves. Reproduction ou communication a des tiers interdite sous quelque forme que ce soit sans autorisation écrite du propriétaire. Propriete de c FCI. Droits de reproduction FCI.



All rights strictly reserved. Reproduction or issue to third parties in any form whatever is not permitted without written authority from the proprietor. Property of FCI. Copyright FCI.

PRODUCT NUMBER
51694-004_-
NOTE: 3



RECOMMENDED PCB LAYOUT

mat'l code		SEE NOTE		tolerances unless otherwise specified		CUSTOMER		www.fciconnect.com	
ltr	ecr no.	dr	date	linear	0.X ± 0.5	COPY		title	
D					0.XX ± 0.25	projection		3ACP + 24S + 6P RIGHT ANGLE SOLDER HEADER	
				angles	0.XXX ± 0.10			product family PwrBlade code 213	
				dr	0° + 2°	MIM		size dwg no 213	
				enrg	J. SHAFFER 11/19/01	scale		sheet 3	
				chr	M. MOSTOLLER 11/19/01	1:1		A 51694-004	
				appd	M. MOSTOLLER 11/19/01				
sheet index	revision sheet								

cage code 22526

Pro/E

Tous droits strictement reserves. Reproduction ou communication a des tiers interdite sous quelque forme que ce soit sans autorisation écrite du propriétaire. Propriete de c FCI. Droits de reproduction FCI.



All rights strictly reserved. Reproduction or issue to third parties in any form whatever is not permitted without written authority from the proprietor. Property of FCI. Copyright FCI.

PRODUCT NUMBER
51694-004_-
NOTE: 3

NOTES:

1. DIMENSIONS AND TOLERANCES ARE IN ACCORDANCE WITH ASME Y14.5M, 1994 UNLESS OTHERWISE SPECIFIED.

CONNECTOR NOTES:

- 2. HOUSING MATERIAL: UL 94 V-0 GLASS FILLED HIGH-TEMP THERMOPLASTIC
POWER CONTACT MATERIAL: COPPER ALLOY
SIGNAL PIN MATERIAL: COPPER ALLOY
- 3. SEE ITEM 1 & 2 IN PRINT 10064183 FOR PLATING SPEC OF 51694-004; 51694-004LF PRESPECTIVELY
- 4. MANUFACTURER'S NAME, P/N, AND DATE CODE TO APPEAR ON THIS SURFACE.
- 5. PRODUCT SPECIFICATION GS-12-149.
APPLICATION SPECIFICATION BUS-20-067.
- 6. PACKAGED IN TRAYS.

PCB NOTES:

- 7. ALL HOLE DIAMETERS ARE FINISHED HOLE SIZE.
- 8. MOUNTING HOLES, WHERE APPLICABLE, ARE UNPLATED.
- 9. $\varnothing 1.151 \pm 0.025$ DRILLED HOLES PLATED WITH 0.008 MIN SnPb OR Sn OVER 0.03 TO 0.08 Cu PLATING TO ACHIEVE $\varnothing 1.02 \pm 0.07$ HOLE.
- 10. "DIM XXX" TO BE DETERMINED BY THE CUSTOMER.
- 11. CONNECTOR KEEP-OUT ZONE.

12. A Δ SYMBOL WILL BE NEXT TO ANY DIMENSION, VIEW, OR NOTE WHICH HAS BEEN MODIFIED WITH THE CURRENT DRAWING REVISION.

mat'l code		SEE NOTE		tolerances unless otherwise specified		CUSTOMER		FCI www.fciconnect.com	
ltr	ecr no.	dr	date	linear	0.X ± 0.5	COPY		title	
D					0.XX ± 0.25	projection		3ACP + 24S + 6P RIGHT ANGLE SOLDER HEADER	
				angles	0.XXX ± 0.10			product family	
				dr	0° + 2°	MIM		PwrBlade	
				enrg	J. SHAFFER 11/19/01	scale		code	
				chr	M. MOSTOLLER 11/19/01	1:1		213	
				appd	M. MOSTOLLER 11/19/01	A		sheet	
sheet index	revision sheet							4	
								cage code	
								22526	

Pro/E

cage code 22526