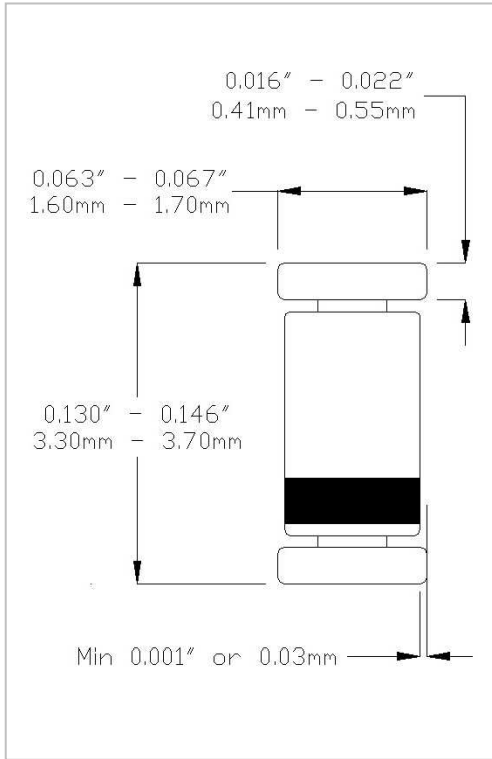


# 1N4150UR-1

## FEATURES

- 1N4150UR-1 AVAILABLE IN JAN, JANTX, AND JANTXV PER MIL-PRF-19500/231
- SWITCHING DIODE
- METALLURGICALLY BONDED
- HERMETICALLY SEALED
- DOUBLE PLUG CONSTRUCTION
- ALSO AVAILABLE AS LL4150, CDLL4150, & MLL4150



## MAXIMUM RATINGS AT 25 °C

Operating Temperature:	-65°C to +175°C
Storage Temperature:	-65°C to +175°C
Surge Current A, sine 1uS:	4.0A
Surge Current B, sine 1S:	0.5A
Total Power Dissipation:	500mW
Operating Current:	200mA, T <sub>A</sub> = +25°C to +110°C
Derating Factor:	3.1mA/°C above T <sub>EC</sub> = +110°C
D.C. Reverse Voltage (VRWM):	50V

## DC ELECTRICAL CHARACTERISTICS

V <sub>F</sub>				I <sub>R</sub>				V <sub>BR</sub>			
Ambient (°C)	I <sub>F</sub> mA	Min V	Max V	Ambient (°C)	V (dc)	Min μA	Max μA	Ambient (°C)	I <sub>R</sub> μA	Min V	Max V
25	1	.54	.62	25	50	-	0.1	25	10	75	-
25	10	.66	.74	150	50	-	100				
25	50	.76	.86								
25	100	.82	.92								
25	200	.87	1.00								

## DESIGN DATA

**Case:** Hermetically sealed glass package per MIL-PRF-19500/231 DO-213AA outline

**Lead Material:** Copper clad steel

**Lead Finish:** Tin/Lead

**Thermal Resistance (R<sub>θJEC</sub>):** 100°C/W maximum

**Thermal Impedance (Z<sub>θJX</sub>):** 70°C/W maximum

**Polarity:** Cathode end is banded.

## AC ELECTRICAL CHARACTERISTICS AT 25°C

	Symbol	Min	Max
<b>Capacitance @ 0V</b>	<b>pF</b>	-	2.5
<b>T<sub>RR</sub> @ I<sub>F</sub>=I<sub>R</sub>=10mA, I<sub>Rec</sub>=1mA.</b>	<b>nsec</b>	-	4
<b>V<sub>FR</sub> @ I<sub>F</sub>=200mA</b>	<b>V</b>	-	5
<b>T<sub>FR</sub> @ I<sub>F</sub>=200mA</b>	<b>nsec</b>	-	10



WWW.MICROSEMI.COM

IRELAND - GORT ROAD, ENNIS, CO. CLARE

PHONE: +353 65 6840044  
TOLL FREE: +186 62 702434  
FAX: +353 65 6822298

U.S.A. DOMESTIC SALES CONTACT

PHONE: (617) 926 0404  
TOLL FREE: 1 800 666 2999

# Mouser Electronics

Authorized Distributor

Click to View Pricing, Inventory, Delivery & Lifecycle Information:

## Microchip:

[1N4150UR-1](#) [JANTXV1N4150UR-1](#) [Jantx1N4150UR-1](#) [JAN1N4150UR-1](#) [1N4150UR-1/TR](#) [JAN1N4150UR-1/TR](#)  
[Jantx1N4150UR-1/TR](#) [JANTXV1N4150UR-1/TR](#) [CDS4150UR-1](#)