



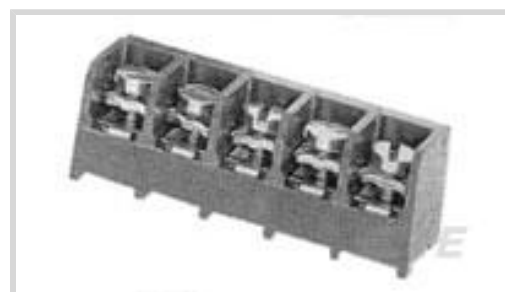
Buchanan | Buchanan 6 Series

TE Internal #: 9-1437652-7

Tri-Barrier, Printed Circuit Pin, Wire-to-Board, 6 Position, 9.53 mm [.375 in] Centerline, 1 Row, Buchanan 6 Series, Barrier Strips

[View on TE.com >](#)

Connectors > Terminal Blocks & Strips > Barrier Strips



Barrier Strip Style: **Tri-Barrier**

Bottom Termination Type: **Printed Circuit Pin**

Connector System: **Wire-to-Board**

Number of Positions: **6**

Centerline (Pitch): **9.53 mm [.375 in]**

## Features

### Product Type Features

Block Style	Flat Bottom with standoffs
Connector System	Wire-to-Board
Connector & Contact Terminates To	Printed Circuit Board

### Configuration Features

Number of Levels	1
Number of Positions	6
Number of Rows	1

### Electrical Characteristics

Operating Voltage	300 V, 600 V
-------------------	--------------

### Body Features

Primary Product Color	Black
Product Orientation	Vertical
Barrier Strip Style	Tri-Barrier

### Contact Features

PCB Contact Termination Area Plating Material	Tin
Contact Base Material	Copper Alloy
Contact Current Rating (Max)	5 A, 25 A

### Termination Features

--	--



Bottom Termination Type	Printed Circuit Pin
-------------------------	---------------------

### Mechanical Attachment

Screw Head Type	Combo Phil-Slot
-----------------	-----------------

Screw Plating Material	Zinc Chromate
------------------------	---------------

Screw Material	Steel
----------------	-------

Top Termination Type	Wire Clamp Combo Head
----------------------	-----------------------

Mounting Options	End Positions Empty
------------------	---------------------

Thread Size	6-32
-------------	------

Connector Mounting Type	Board Mount
-------------------------	-------------

### Housing Features

Housing Material	Thermoplastic
------------------	---------------

Centerline (Pitch)	9.53 mm [.375 in]
--------------------	-------------------

### Dimensions

Product Length	77.75 mm [3.061 in]
----------------	---------------------

Wire Size	.3 – 3 mm <sup>2</sup>
-----------	------------------------

### Usage Conditions

Operating Temperature Range	0 – 105 °C [0 – 221 °F]
-----------------------------	-------------------------

### Operation/Application

Circuit Application	Power
---------------------	-------

### Industry Standards

UL Flammability Rating	UL 94V-0
------------------------	----------

### Packaging Features

Packaging Quantity	110
--------------------	-----

## Product Compliance

[For compliance documentation, visit the product page on TE.com>](#)

EU RoHS Directive 2011/65/EU	Compliant
------------------------------	-----------

EU ELV Directive 2000/53/EC	Compliant
-----------------------------	-----------

China RoHS 2 Directive MIIT Order No 32, 2016	No Restricted Materials Above Threshold
---	---

EU REACH Regulation (EC) No. 1907/2006	Current ECHA Candidate List: JUNE 2024 (241) Candidate List Declared Against: JUNE 2024 (241)
--	--

Does not contain REACH SVHC

Halogen Content

Low Halogen - Br, Cl, F, I &lt; 900 ppm per homogenous material. Also BFR/CFR/PVC Free

Solder Process Capability

Wave solder capable to 265°C

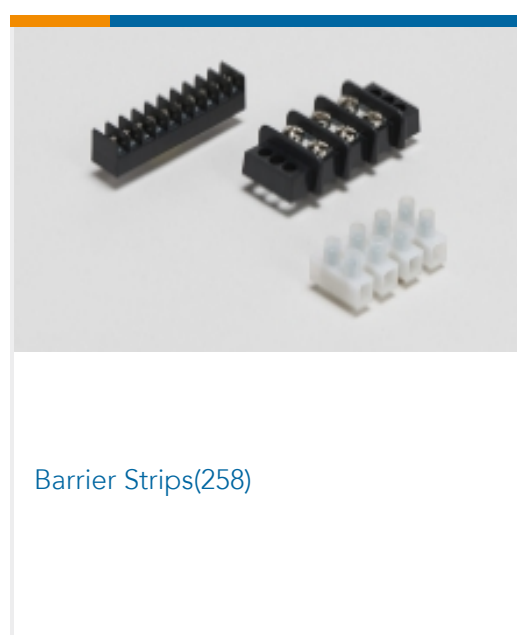
## Product Compliance Disclaimer

This information is provided based on reasonable inquiry of our suppliers and represents our current actual knowledge based on the information they provided. This information is subject to change. The part numbers that TE has identified as EU RoHS compliant have a maximum concentration of 0.1% by weight in homogenous materials for lead, hexavalent chromium, mercury, PBB, PBDE, DBP, BBP, DEHP, DIBP, and 0.01% for cadmium, or qualify for an exemption to these limits as defined in the Annexes of Directive 2011/65/EU (RoHS2). Finished electrical and electronic equipment products will be CE marked as required by Directive 2011/65/EU. Components may not be CE marked. Additionally, the part numbers that TE has identified as EU ELV compliant have a maximum concentration of 0.1% by weight in homogenous materials for lead, hexavalent chromium, and mercury, and 0.01% for cadmium, or qualify for an exemption to these limits as defined in the Annexes of Directive 2000/53/EC (ELV). Regarding the REACH Regulation, the information TE provides on SVHC in articles for this part number is based on the latest European Chemicals Agency (ECHA) 'Guidance on requirements for substances in articles' posted at this URL: <https://echa.europa.eu/guidance-documents/guidance-on-reach>

## Compatible Parts



## Also in the Series | Buchanan 6 Series



## Customers Also Bought



TE Part #205838-1  
CPC PLUG ASSEMBLY SIZE 11-8



TE Part #52924  
PIDG Short Spring Spade Tongue  
Terminals



TE Part #1375820-9  
CST-100 II HOUSING 9 POS



TE Part #1-640457-4  
14P MTA100 HDR ASSY SQ R/A F/L



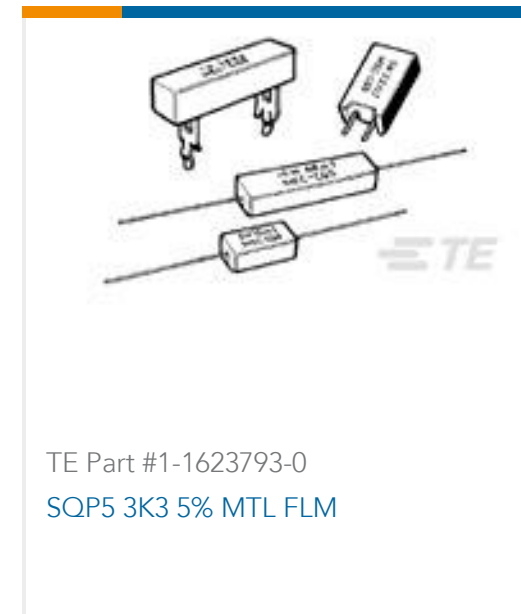
TE Part #6609032-1  
1VR1=F7194 S0



TE Part #4-640441-4  
14P MTA100 CONN ASSY WHT



TE Part #66504-8  
SOCKET CONTACT, 20 DF



TE Part #1-1623793-0  
SQP5 3K3 5% MTL FLM



TE Part #5510050002  
PD-CAP-3/8-0

## Documents

### Product Drawings

[6PCV-06-008=#6 TRIBARRIER TERM](#)

English

### CAD Files

Customer View Model

[ENG\\_CVM\\_CVM\\_9-1437652-7\\_J.3d\\_igs.zip](#)

English

Customer View Model

[ENG\\_CVM\\_CVM\\_9-1437652-7\\_J.3d\\_stp.zip](#)

English

Customer View Model

[ENG\\_CVM\\_CVM\\_9-1437652-7\\_J.2d\\_dxf.zip](#)

English

### 3D PDF

3D

By downloading the CAD file I accept and agree to the [Terms and Conditions](#) of use.

## Datasheets & Catalog Pages



[1-1773458-2\\_BARRIER\\_STRIPS\\_QUICK\\_REFERENCE\\_GUIDE](#)

English

---

[Agency Approvals](#)

[UL](#)

English