

# 120×120×25 mm

San Ace 120 9S type Silent Fan 



## General Specifications

- Material ..... Frame: Plastic (Flammability: UL 94V-0), Impeller: Plastic (Flammability: UL 94V-1)
- Expected life ..... See the table below. (L10 life: 90% survival rate for continuous operation in free air at 60°C, rated voltage)
- Motor protection function ..... Locked rotor burnout protection, Reverse polarity protection  
For details, please refer to p. 547.
- Dielectric strength ..... 50/60 Hz, 500 VAC, for 1 minute (between lead wire conductors and frame)
- Insulation resistance ..... 10 MΩ or more with a 500 VDC megger (between lead wire conductors and frame)
- Sound pressure level (SPL) ..... At 1 m away from the air inlet
- Storage temperature ..... -30 to +70°C (Non-condensing)
- Lead wire ..... ⊕Red ⊖Black (Sensor) Yellow
- Mass ..... 140 g

## Specifications

The models listed below **have ribs and pulse sensors**. For models without ribs, append "1" to the end of model numbers.

Model no.	Rated voltage [V]	Operating voltage range [V]	Rated current [A]	Rated input [W]	Rated speed [min <sup>-1</sup> ]	Max. airflow [m <sup>3</sup> /min] [CFM]	Max. static pressure [Pa] [inchH <sub>2</sub> O]	SPL [dB (A)]	Operating temperature [°C]	Expected life [h]
<b>9S1212H401</b>	12	5.0 to 13.2	0.39	4.68	2700	2.45 86.5	45.2 0.18	36	-10 to +60	40000/60°C
<b>9S1212F401</b>		5.0 to 13.8	0.19	2.28	2200	2.0 70.6	30.0 0.12	30		
<b>9S1212M401</b>		6.0 to 13.8	0.13	1.56	1850	1.66 58.6	22.7 0.09	24		
<b>9S1212L401</b>		7.0 to 13.8	0.08	0.96	1500	1.36 48.1	14.9 0.06	17		
<b>9S1224M401</b>	24	14 to 26.4	0.06	1.44	1850	1.66 58.6	22.7 0.09	24		

The following sensor and control options are available for selection.

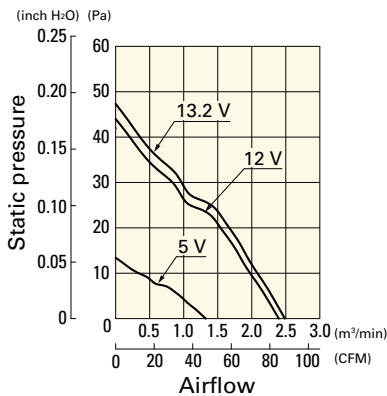
Available for all models. **Without sensor**

Differs according to the model. Refer to the table on p. 578. **Lock sensor** **PWM control**

## Airflow - Static Pressure Characteristics

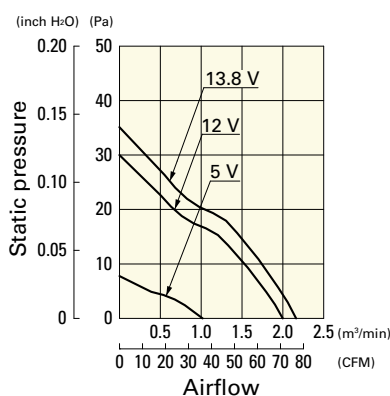
**9S1212H401** With pulse sensor

Operating voltage range



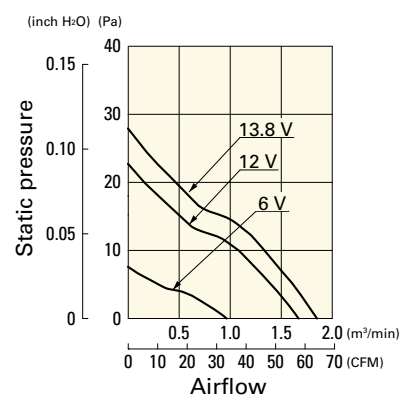
**9S1212F401** With pulse sensor

Operating voltage range



**9S1212M401** With pulse sensor

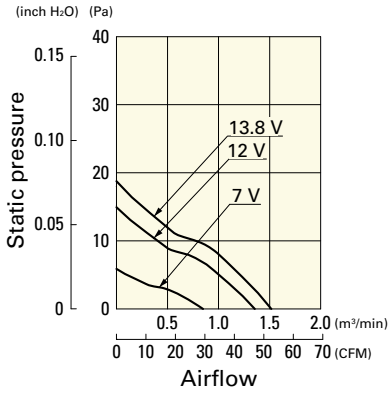
Operating voltage range



## Airflow - Static Pressure Characteristics

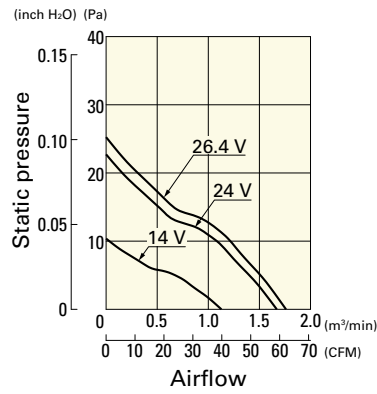
**9S1212L401** With pulse sensor

Operating voltage range

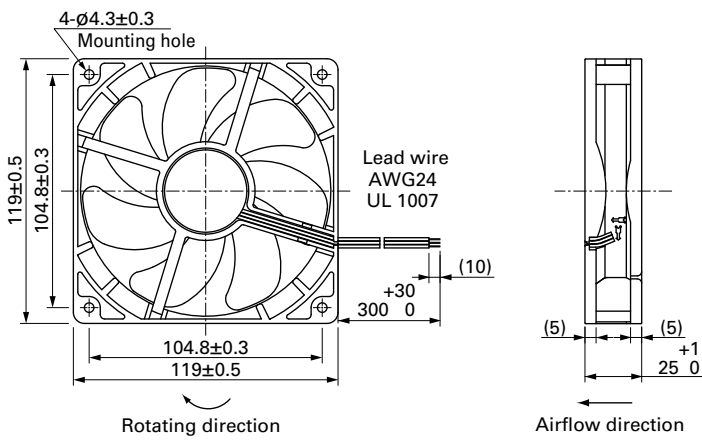


**9S1224M401** With pulse sensor

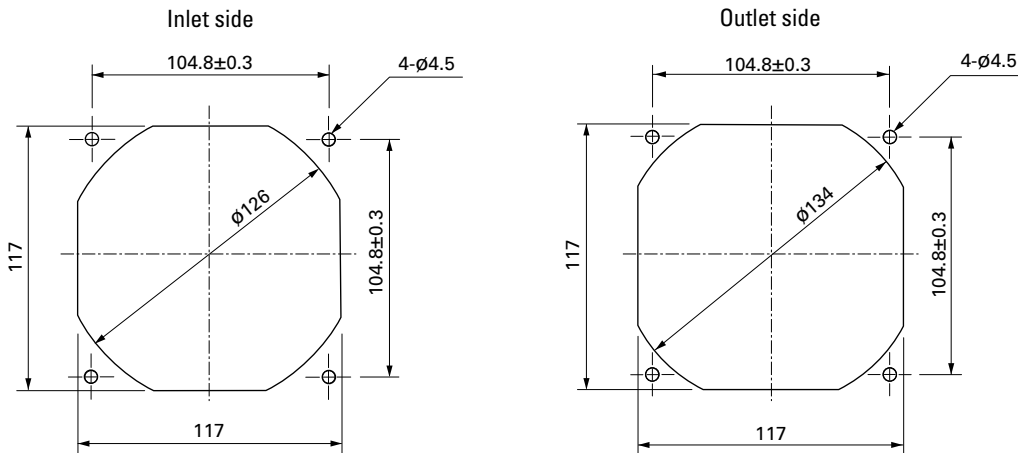
Operating voltage range



## Dimensions (unit: mm) (With ribs)



## Reference Dimensions of Mounting Holes and Vent Opening (unit: mm)



## Options

Finger guards

page: p. 533

Model no.: 109-019E, 109-019K, 109-019C, 109-019H

Resin finger guards

page: p. 539

Model no.: 109-1000G

Resin filter kits

page: p. 540

Model no.: 109-1000F13 (13PPI), 109-1000F20 (20PPI),  
109-1000F30 (30PPI), 109-1000F40 (40PPI)