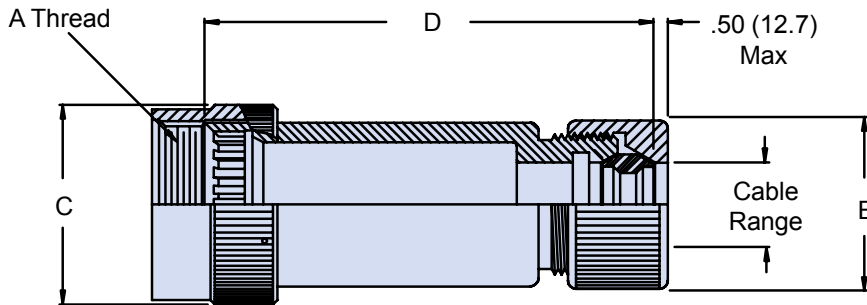
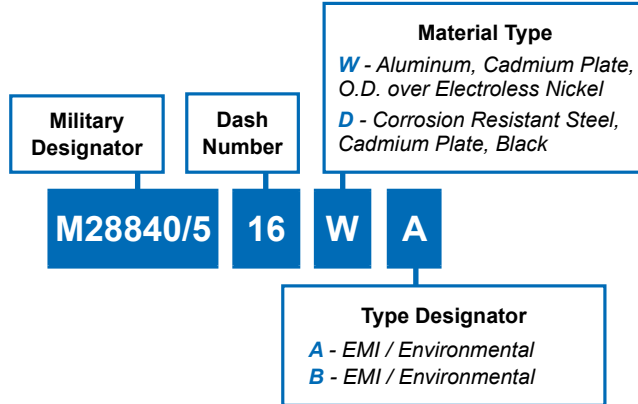
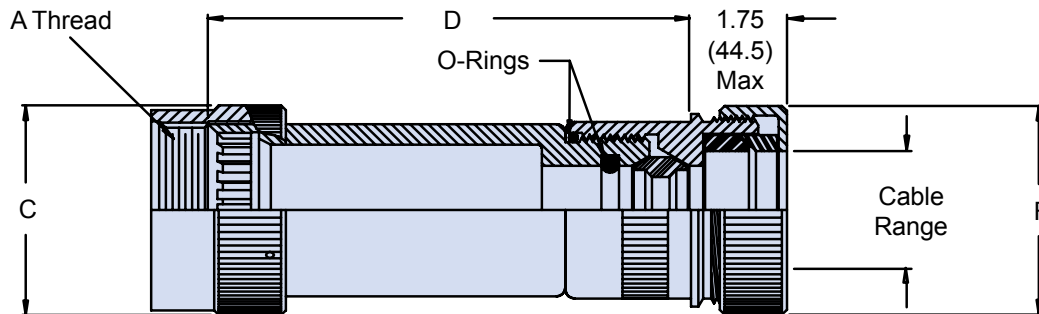


M28840/5
Backshell for Metal Core Conduit



STYLE A - EMI/Non-Environmental
(Plain Conduit)



STYLE B - EMI/Environmental
(Jacket Conduit)

Dimensions in Inches (millimeters) are subject to change without notice.



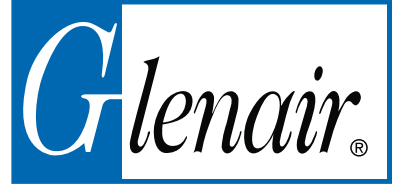


M28840/5 Backshell for Metal Core Conduit

Dash Number	Designator	Conduit Size	L ± .12 (± 3.05)	Working Room Ref.	V Thread Class 2*	M Max. Diameter	Y Max. Diameter
01	A (11)	03	1.75 (44.45)	1.00 (25.4)	1.00-20 UNEF	1.12 (28.45)	1.19 (30.23)
02	B (13)						
03	C (15)	04			1.188-18 UNEF	1.25 (31.8)	1.38 (35.1)
04		03			1.000-20 UNEF	1.12 (28.5)	1.19 (30.23)
05		04			1.188-30 UNEF	1.25 (31.8)	1.38 (35.1)
06		05			1.438-18 UNEF	1.43 (36.3)	1.63 (41.4)
07		06			3.00 (76.2)		1.750-18 UNS
08	D (17)	05	2.25 (57.15)	1.50 (38.10)	1.438-18 UNEF	1.43 (36.3)	1.63 (41.4)
09		06			1.750-18 UNS	1.62 (41.2)	1.94 (49.3)
10		08		2.00 (50.80)	2.00-18 UNS	1.81 (46.0)	2.19 (55.6)
11	E (19)	05		1.50 (38.10)	1.438-18 UNEF	1.43 (36.3)	1.63 (41.4)
12		06			1.750-18 UNEF	1.62 (41.2)	1.94 (49.3)
13		08			2.00-18 UNS	1.81 (46.2)	2.19 (55.6)
14	F (23)	06	2.75 (69.85)	2.00 (50.80)	1.750-18 UNS	1.62 (41.2)	1.94 (49.3)
15		08			2.00-18 UN	1.81 (46.0)	2.19 (55.6)
16		10	3.50 (88.90)		2.00-16 UN	2.18 (55.4)	2.44 (62.0)
17	G (25)	06	2.75 (60.85)		1.750-18 UN	1.62 (41.2)	1.94 (49.3)
18		08			2.00-18 UN	1.81 (46.0)	2.19 (55.6)
19		10			2.250-16 UN	2.18 (55.4)	2.44 (62.0)
20		12	4.00 (101.6)		2.500-16 UN	2.56 (65.0)	2.69 (68.3)
21	H (29)	10	3.25 (82.55)	2.50 (63.50)	2.250-16 UN	2.18 (55.4)	2.44 (62.0)
22		12			2.500-16 UN	2.56 (65.0)	2.66 (68.3)
23	J (33)	12			2.500-16 UN	2.56 (65.0)	2.60 (88.3)
24		16			3.00-16 UN	3.06 (77.8)	3.18 (81.0)
25	A (11)	04			1.75 (44.45)	1.00 (25.4)	1.188-18 UNEF

Dimensions in Inches (millimeters) are subject to change without notice.

M28840/5 Backshell for Metal Core Conduit



MIL-DTL-28840
Electrical Connectors

Dash Number	Designator	A Thread Class 2B	B Diameter Max.	C Thread Class 2*	Sealing Range	
					Max.	Min.
01	A (11)	.750-20 UNEF	1.028 (26.11)	.875-20 UNEF	.63 (16.0)	.50 (12.7)
02	B (13)	.875-20 UNEF	1.141 (28.98)			
03				1.000-20 UNEF	.75 (19.1)	.63 (16.0)
04	C (15)	1.000-20 UNEF	1.263 (32.08)	.875-20 UNEF	.63 (16.0)	.50 (12.7)
05				1.000-20 UNEF	.75 (19.1)	.63 (16.0)
06				1.125-18 UNEF	.88 (22.4)	.75 (19.1)
07				1.250-18 UNEF	1.00 (25.4)	.88 (22.4)
08	D (17)	1.125-18 UNEF	1.387 (35.23)	1.125-18 UNEF	.88 (22.4)	.75 (19.1)
09				1.250-18 UNEF	1.00 (25.4)	.88 (22.4)
10				1.625-18 UNEF	1.38 (35.1)	1.19 (30.2)
11	E (19)	1.250-18 UNEF	1.513 (38.43)	1.125-18 UNEF	.88 (22.4)	.75 (19.1)
12				1.250-18 UNEF	1.00 (25.4)	.88 (22.4)
13				1.625-18 UNEF	1.38 (35.1)	1.19 (30.2)
14	F (23)	1.438-18 UNEF	1.703 (45.51)	1.250-18 UNEF	1.00 (25.4)	.88 (22.4)
15				1.625-18 UNEF	1.38 (35.1)	1.19 (30.2)
16				1.875-18 UNS	1.63 (41.4)	1.44 (36.6)
17	G (25)	1.562-18 UNEF	1.825 (46.35)	1.250-18 UNEF	1.00 (25.4)	.88 (22.4)
18				1.625-18 UNEF	1.38 (35.1)	1.19 (30.2)
19				1.875-18 UNS	1.63 (41.4)	1.44 (36.6)
20				2.125-16 UN	1.88 (47.8)	1.63 (41.4)
21	H (29)	1.875-16 UN	2.143 (54.43)	1.875-18 UNS	1.63 (41.4)	1.44 (36.6)
22				2.125-16 UN	1.88 (47.8)	1.63 (41.4)
23	J (33)	2.062-16 UNS	2.329 (59.16)	2.1225-16 UN	1.88 (47.8)	1.63 (41.4)
24				2.750-16 UN	2.38 (60.5)	2.13 (54.1)
25	A (11)	.750-20 UNEF	1.028 (26.11)	.875-20 UNEF	.75 (19.05)	.63 (16.00)

Dimensions in Inches (millimeters) are subject to change without notice.



Mouser Electronics

Authorized Distributor

Click to View Pricing, Inventory, Delivery & Lifecycle Information:

Glenair:

[M28840/501WB](#) [M28840/502WA](#) [M28840/502WB](#) [M28840/503WA](#) [M28840/504WA](#) [M28840/505WA](#)
[M28840/505WB](#) [M28840/506WA](#) [M28840/508WA](#) [M28840/508WB](#) [M28840/509WB](#) [M28840/510WA](#)
[M28840/511WB](#) [M28840/514WB](#) [M28840/517WA](#) [M28840/518WB](#) [M28840/521WB](#) [M28840/523WB](#)
[M28840/524WB](#) [M28840/510WB](#)