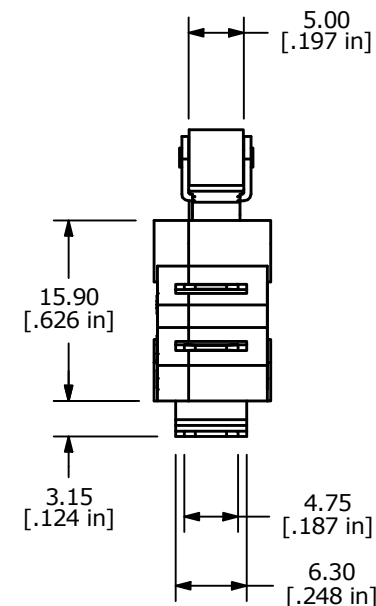
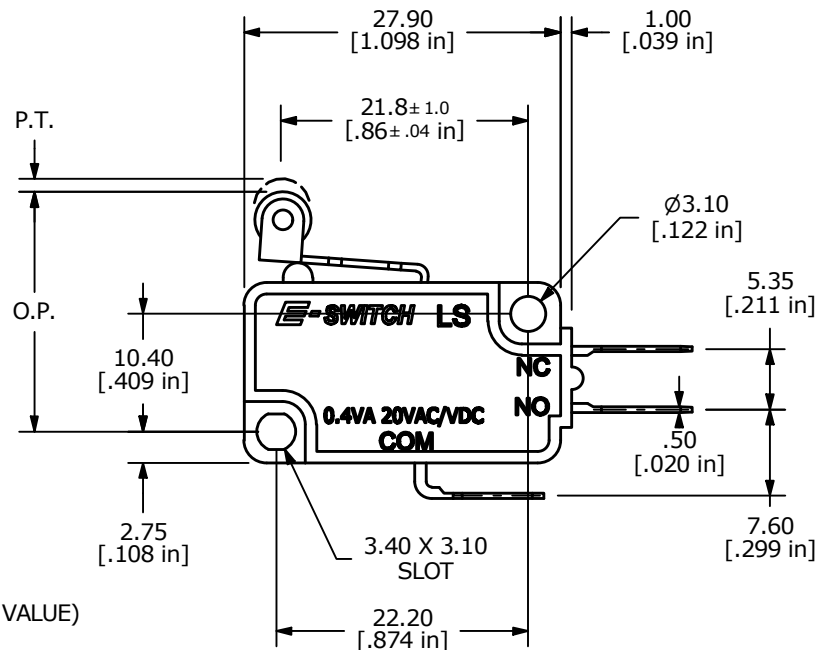
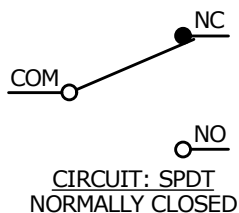


O.P. (MM)	P.T. (MM)
20.7±0.8	1.1 MAX.

O.P. = OPERATING POINT
P.T. = PRE-TRAVEL



- NOTES:
1. ALL DIMENSIONS IN MM [INCH]
 2. GENERAL TOLERANCE: X.X=± 0.4
X.XX=± 0.25
 3. RATING: 0.4VA @ 20 VDC OR VAC MAX.
 - ▲ 4. CONTACTS: GOLD
 - ▲ 5. OPERATING FORCE: 100 ± 30 GRAMS
 6. OPERATING TEMP: -25°C TO 85°C
 7. ELECTRICAL LIFE: 50,000 CYCLES MIN.
 8. MECHANICAL LIFE: 1,000,000 CYCLES TYP.
 9. INSULATION RESISTANCE: 100 MEGA-OHMS MIN.
 10. DIELECTRIC STRENGTH: 1500VAC 1 MINUTE (INITIAL VALUE)
 11. CONTACT RESISTANCE: 100 MILLI -OHMS MAX.
 12. ▲ DENOTES CRITICAL PARAMETER.

REV	ECO NO	DESCRIPTION	DATE	BY	E-SWITCH®			OBJECT ID	
B	ECO-100844	REMOVE VDE RATING AND LOGO	05/03/22	JS	TITLE LS085R105F100C1A			000021100	
THE INFORMATION CONTAINED IN THIS DOCUMENT IS PROPRIETARY TO E-SWITCH AND IS NOT TO BE COPIED OR TRANSFERRED					SCALE	DATE	DR	DWG	REV
					3:2	9/10/2015	MW	Q950116	B

Mouser Electronics

Authorized Distributor

Click to View Pricing, Inventory, Delivery & Lifecycle Information:

[E-Switch:](#)

[LS085R105F100C1A](#)