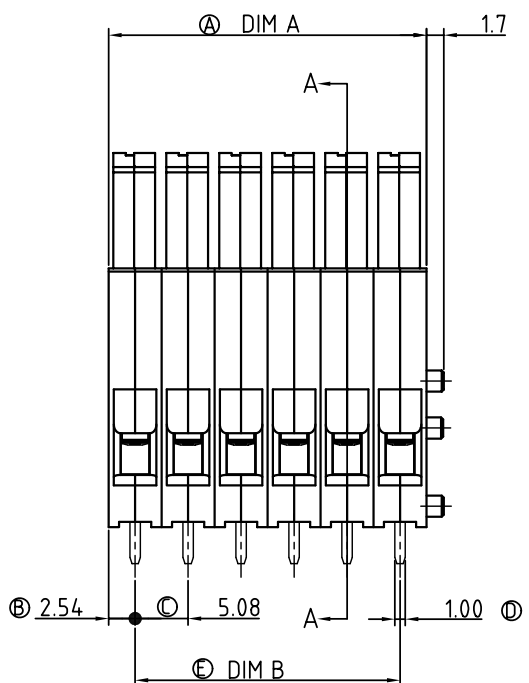
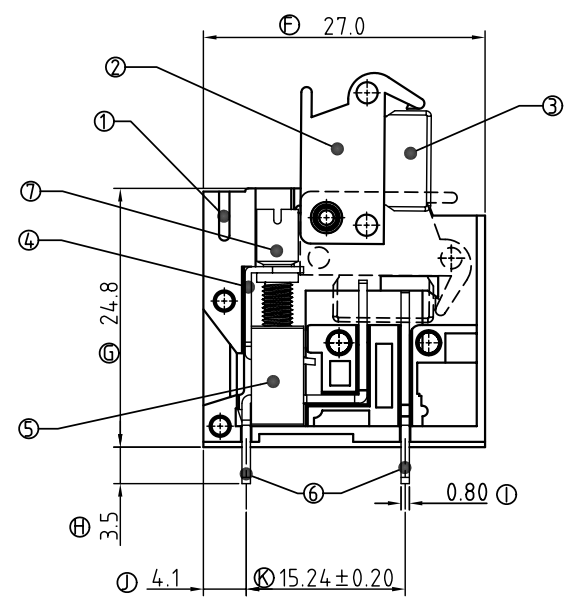


SIGN	DATE	DESCRIPTION	APPROVER
△			
THIS IS CAD DRAWING, DO NOT REVISE MANUALLY!!!			



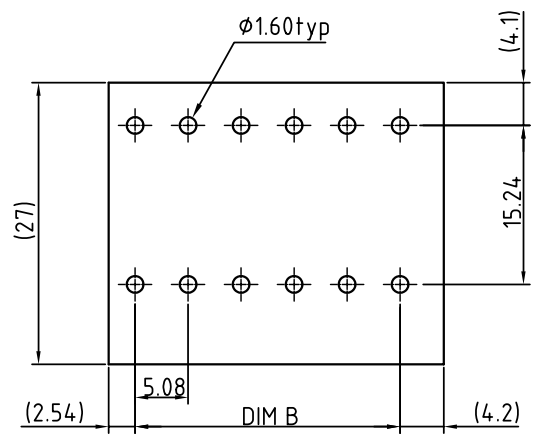
P.C.B LAYOUT



SECTION A--A

- Material:
- Item 1 Terminal (housing) : Thermoplastic (UL 94V-0)
 - Item 2 Terminal (lever) : Thermoplastic (UL 94V-0)
 - Item 3 Condom: Brass ,Ni plated
 - Item 4 Wire guard : Brass ,Ni plated
 - Item 5 Clamp : Brass ,Ni plated
 - Item 6 Wire guard solder pin : Brass ,Tin plated
 - Item 7 Terminal screw : Steel Zinc plating"-slot type

- Electrical:
- Voltage rating : 300V
 - Current rating : 15A
 - Wire range :
 - Solid wire (AWG) : 12-28
 - Stranded wire(AWG) :12-28
 - Torque(Lb-In) : 3.5
 - Screw : M3
 - Wire strip length :8~9mm
 - Withstanding Voltage : 1.6KV
 - Operating temperature : -40°C+115°C
 - Soldering temperature : 250°C+10°C/5 Sec



Dimension

DIM A	N×5.08
DIM B	(N-1)×5.08

N=Number of poles

POLES	TOL
1p-6p	±0.40
7p-12p	±0.60

VT xx 21 x 0 xxxx G

- | | | | |
|----------------|-------------|-------------------------|----------------|
| 01 1 CONTACTS | 0 Black | 0000:"@"Logo (Standard) | Pb < 40,000ppm |
| 02 2 CONTACTS | 5 Green | 000A:"ANYTEK"Logo | (RoHS) |
| ... | (RAL6018/T) | Any special item by | |
| 12 12 CONTACTS | 6 Blue | customer request, | |
| | (RAL7035/D) | please contact sales | |
| | 8 Grey | department. | |

ANYTEK		CUSTOMER COPY		ALL RIGHTS RESERVED. REPRODUCTION OR ISSUE TO THIRD PARTIES IN ANY FORM WHATSOEVER IS NOT PERMITTED WITHOUT WRITTEN AUTHORITY FROM THE PROPRIETOR. PROPERTY OF ANYTEK TECHNOLOGY CO., LTD															
				TITLE	VT 5.08 Series 1P-12P			DWG NO.	8VT0001										
PART NO.	VTxx21x0xxxxG			DWG NO.	8VT0001														
APPROVED	CHECKED	DESIGNED	DRAWN	CUST NO.	<table border="1" style="font-size: x-small;"> <tr> <th colspan="2">Tolerance</th> </tr> <tr> <td>X.</td> <td>±0.50</td> </tr> <tr> <td>X.X</td> <td>±0.30</td> </tr> <tr> <td>X.XX</td> <td>±0.10</td> </tr> <tr> <td>X*</td> <td>±1*</td> </tr> </table>			Tolerance		X.	±0.50	X.X	±0.30	X.XX	±0.10	X*	±1*		
Tolerance																			
X.	±0.50																		
X.X	±0.30																		
X.XX	±0.10																		
X*	±1*																		
		Aaron 2009.11.04	Aaron 2009.11.04		<table border="1" style="font-size: x-small;"> <tr> <td>UNIT: mm</td> <td>X.</td> <td>±0.50</td> </tr> <tr> <td>SCALE: NONE</td> <td>X.X</td> <td>±0.30</td> </tr> <tr> <td>REV.: B</td> <td>X.XX</td> <td>±0.10</td> </tr> <tr> <td></td> <td>X*</td> <td>±1*</td> </tr> </table>			UNIT: mm	X.	±0.50	SCALE: NONE	X.X	±0.30	REV.: B	X.XX	±0.10		X*	±1*
UNIT: mm	X.	±0.50																	
SCALE: NONE	X.X	±0.30																	
REV.: B	X.XX	±0.10																	
	X*	±1*																	
				SHEET: 01/01															

Mouser Electronics

Authorized Distributor

Click to View Pricing, Inventory, Delivery & Lifecycle Information:

Amphenol:

[VT0121800000G](#) [VT0221800000G](#) [VT0321800000G](#) [VT0421800000G](#) [VT0521800000G](#) [VT0621800000G](#)
[VT0721800000G](#) [VT0821800000G](#) [VT0921800000G](#) [VT1021800000G](#) [VT1121800000G](#) [VT1221800000G](#)