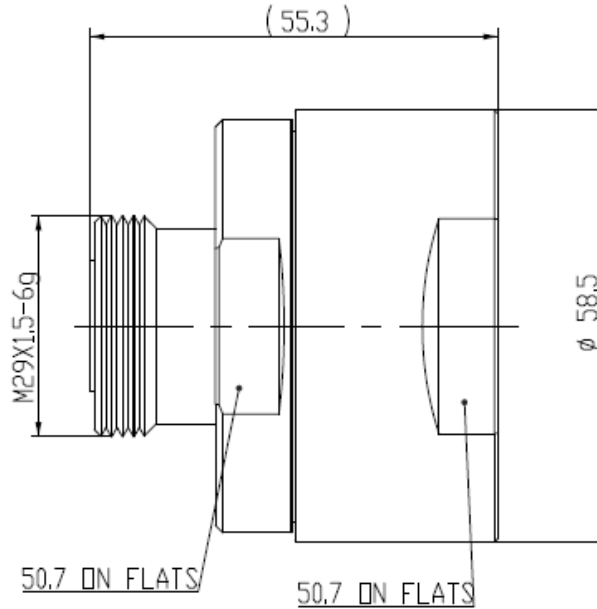


**NOTICE OF PROPRIETARY RIGHTS** THIS DOCUMENT CONTAINS CONFIDENTIAL TECHNICAL DATA, INCLUDING TRADE SECRETS, PROPRIETARY TO TIMES MICROWAVE SYSTEMS. DISCLOSURE OF THIS DATA IS EXPRESSLY CONDITIONED UPON YOUR ASSENT THAT ITS USE IS LIMITED TO USE WITHIN YOUR COMPANY ONLY. ANY OTHER USE IS STRICTLY PROHIBITED WITHOUT THE PRIOR WRITTEN CONSENT OF TIMES MICROWAVE SYSTEMS.

SYM	REVISION DESCRIPTION	DFTM	DATE	APPD	DATE
-	RELEASED FOR PRODUCTION	J. C. L.	3/4/96	J. C. L.	3/4/96
A	CHANGED PER CDC #45286	N. N. N.	11/10/16	J. D. B.	1/3/17



Reference standard IEC60169-4

**I. Electric Performance**  
 Nominal Impedance( $\Omega$ ):  $50 \pm 2$   
 Frequency Range: DC-3GHz  
 VSWR:  $\leq 1.35$   
 Insert Loss(dB):  $\leq 0.1(3G)$   
 Insulation resistance ( $M\Omega$ ):  $\geq 10000$   
 Proof voltage (V): 4000  
 Conductor resistance (m $\Omega$ ):  
 outer conductor  $< 0.2$   
 inner conductor  $< 0.8$

**II. Mechanical Performance**  
 Retention:  $\geq 88N$   
 Mating cycles: 500  
 Tensile force(cable-connector): 1500N

**III. Material and plating:**  

Component	Material	Plating
Inner conductor	Spring Bronze	Ag $5\mu m$
Outer conductor	Brass	Copper-tin-zinc $2\mu m$
O-ring	Silicone rubber	
Insulator	PTFE	

**IV. Environment**  
 Temp.range:  $-40^{\circ}C \sim +85^{\circ}C$   
 Weather standard: IEC 60068 40 / 085/ 21  
 Thermal shock: US MIL-STD 202,Meth.107,Cond.B  
 Vibration: US MIL-STD 202,Meth.204,Cond.B  
 Shock: US MIL-STD 202,Meth.213,Cond.I

**V. Assembly:** inner and outer conductor installed

**VI. ROHS Compliant.**

MATERIAL:	UNLESS OTHERWISE SPECIFIED	DFTM. J. C. L.	TIMES MICROWAVE SYSTEMS		
	ALL DIMENSIONS ARE IN mm MACHINED SURFACES FINISH N/A RMS MAX. REMOVE ALL BURRS N/A MAX. BREAK MACHINE CORNERS N/A MAX. FILLET R. TOLERANCES ON DECIMALS . XX $\pm$ N/A . XXX $\pm$ N/A ANGLES $\pm 1^{\circ}$ FRACTIONS $\pm$ N/A	DATE 3/4/96			
USED ON: O-O		CHKD. J. C. L.	EZ-1700-716FC 7/16 DIN FEMALE CLAMP		
		DATE 3/4/96			
SCALE: N/A	DWG. SIZE A	APPD. J. C. L.	SHEET 1 of 1	SD3190-388	REV. A
DO NOT SCALE DRAWING	CODE IDENT 68999	DATE 3/4/96			

# Mouser Electronics

Authorized Distributor

Click to View Pricing, Inventory, Delivery & Lifecycle Information:

[Amphenol:](#)

[EZ-1700-716FC](#)